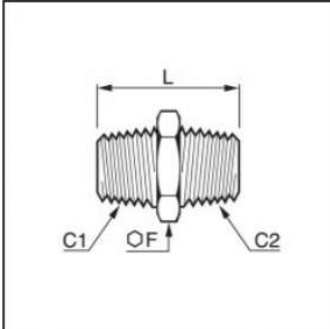


0900 13 17



Description

Fittings Brass nickel plated, Straight male orientable adaptor, male thread, R1/4 - R3/8

Straight connection of 2 male ports.

Details

Maximum working pressure in bar	60
Material body	Brass nickel plated
min. temperature in °C	-10
max. temperature in °C	80
RoHS compliant	Yes
Weight in kg	0.0250

Dimensions

C1	R1/4"
C2	R3/8"
F	17
L	27,5