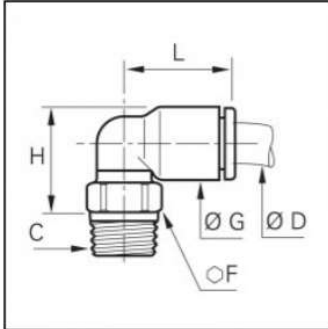


**3109 06 10**



**Description**

LF 3000 standard pneumatic, stud elbow, Engineered polymer, 6 mm - R1/8

Connection of tubing at 90° with a male thread. Tightened on the top of the fitting with a flat spanner or Allen key to facilitate assembly in tight spaces. Solid construction, aesthetic and unobtrusive for a better connection. Precoated thread ensuring direct sealing and full air flow. Individual unit quality control and dating in order to guarantee quality and traceability. Complies RoHS and ISO 14743.

**Details**

Maximum working pressure in bar	20
Seal coating	PTFE
Material seal	NBR
Material body	Engineered polymer
Material threaded fitting	Brass nickel plated
Material toothed washer	Stainless steel
min. temperature in °C	-20
max. temperature in °C	80
Vacuum resistance in mm Hg	755
RoHS compliant	Yes
Weight in kg	0.0060

**Dimensions**

ØD	6 mm
C	R1/8"
F	10
G	10,5
H	15,5
L	16