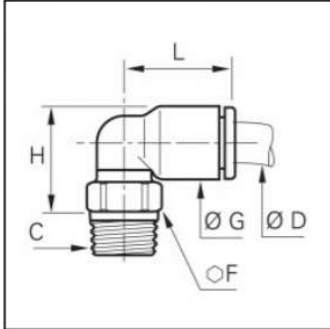


3109 08 10



Description

LF 3000 standard pneumatic, stud elbow, Engineered polymer, 8 mm - R1/8

Connection of tubing at 90° with a male thread. Tightened on the top of the fitting with a flat spanner or Allen key to facilitate assembly in tight spaces. Solid construction, aesthetic and unobtrusive for a better connection. Precoated thread ensuring direct sealing and full air flow. Individual unit quality control and dating in order to guarantee quality and traceability. Complies RoHS and ISO 14743.

Details

| | |
|---------------------------------|---------------------|
| Maximum working pressure in bar | 20 |
| Seal coating | PTFE |
| Material seal | NBR |
| Material body | Engineered polymer |
| Material threaded fitting | Brass nickel plated |
| Material toothed washer | Stainless steel |
| min. temperature in °C | -20 |
| max. temperature in °C | 80 |
| Vacuum resistance in mm Hg | 755 |
| RoHS compliant | Yes |
| Weight in kg | 0.0070 |

Dimensions

| | |
|----|-------|
| ØD | 8 mm |
| C | R1/8" |
| F | 10 |
| G | 13,5 |
| H | 19 |
| L | 23 |