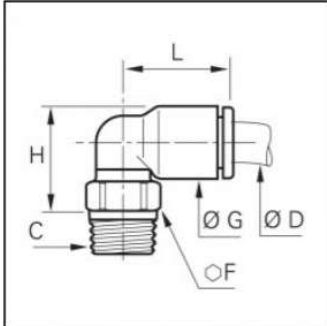


3109 08 13



#### Description

LF 3000 standard pneumatic, stud elbow, Engineered polymer, 8 mm - R1/4

Connection of tubing at 90° with a male thread. Tightened on the top of the fitting with a flat spanner or Allen key to facilitate assembly in tight spaces. Solid construction, aesthetic and unobtrusive for a better connection. Precoated thread ensuring direct sealing and full air flow. Individual unit quality control and dating in order to guarantee quality and traceability. Complies RoHS and ISO 14743.

#### Details

Maximum working pressure in bar	20
Seal coating	PTFE
Material seal	NBR
Material body	Engineered polymer
Material threaded fitting	Brass nickel plated
Material toothed washer	Stainless steel
min. temperature in °C	-20
max. temperature in °C	80
Vacuum resistance in mm Hg	755
RoHS compliant	Yes
Weight in kg	0.0140

#### Dimensions

ØD	8 mm
C	R1/4"
F	14
G	13,5
H	18
L	23