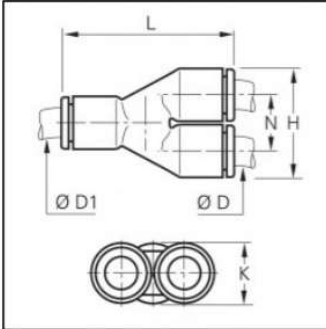


3140 04 00



Description

LF 3000 standard pneumatic, Single Y pieces equal and unequal, Engineered polymer, 2 x 4 mm -

In line connection of 3 tubes of equal or different diameters. Solid construction, compact, aesthetic and unobtrusive for better connection. Full air flow. Individual unit quality control and dating in order to guarantee quality and traceability. Complies RoHS and ISO 14743.

Details

Maximum working pressure in bar	20
Material seal	NBR
Material body	Engineered polymer
Material toothed washer	Stainless steel
min. temperature in °C	-20
max. temperature in °C	80
Vacuum resistance in mm Hg	755
RoHS compliant	Yes
Weight in kg	0.0020

Dimensions

ØD	4 mm
ØD1	4 mm
H	17,5
K	8,5
L	28,5
N	9