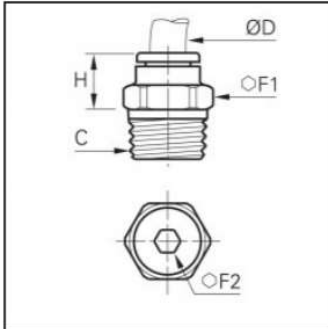


3175 08 10



Description

LF 3000 standard pneumatic, male stud coupling, Brass nickel plated, 8 mm - R1/8

In line connection of tubing to a threaded port. External tightening with a flat spanner or a socket wrench, internal adjustment with an Allen key. compact. Precoated thread ensuring direct sealing and full air flow. Individual unit quality control and dating in order to guarantee quality and traceability. Complies RoHS and ISO 14743.

Details

Maximum working pressure in bar	20
Seal coating	PTFE
Material seal	NBR
Material body	Brass nickel plated
Material toothed washer	Stainless steel
min. temperature in °C	-20
max. temperature in °C	80
Vacuum resistance in mm Hg	755
RoHS compliant	Yes
Weight in kg	0.0110

Dimensions

ØD	8 mm
C	R1/8"
F1	13
F2	5
H	20