

7665 08 13



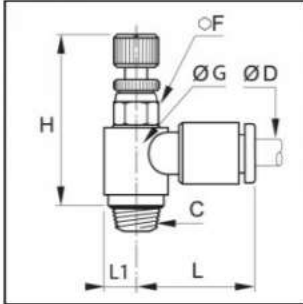
Description

Polymer flow regulators, Miniature-Flow regulator, exhaust, made of polymer, 8 mm - R1/4

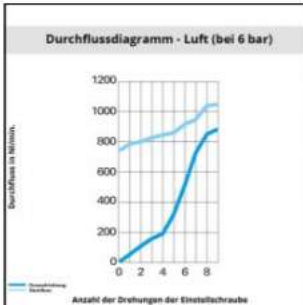
Non-return throttle valve, threaded, made of plastic:

- swivel outlet banjo with external screw and push-in connection, R- or NPT-thread
- external screw for throttling exhaust air
- reliable, precise and progressive adjustment
- lock nut guaranteeing stability of adjustment
- perfectly suited to solve the most difficult connection issues thanks to its orientability
- perfectly adapted to solve the most difficult connection issues thanks to its orientability and small size

Details



Maximum working pressure in bar	10
Seal coating	PTFE
Material seal	NBR
Material adjusting spindle	Brass nickel plated
Material body	Engineered polymer
Material locknut	Brass nickel plated
Material toothed washer	Stainless steel
max. temperature in °C	70
RoHS compliant	Yes
Weight in kg	0.0330



Dimensions

ØD	8 mm
C	R1/4"
F	16
G	19
H max	29
H min	25
L	27,5
L1	9,5