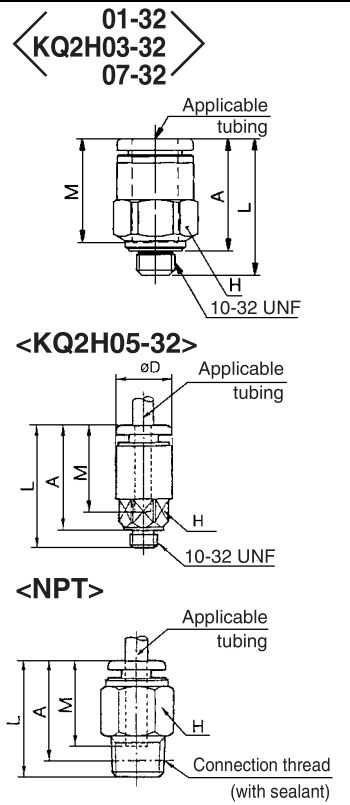


Series KQ2

Male Connector: KQ2H

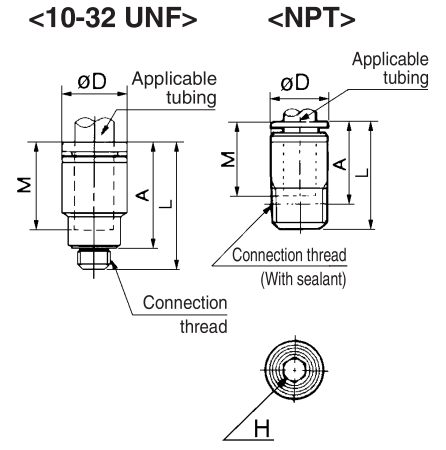
Applicable tubing O.D. (inch)	Connection thread UNF NPT	Model	H (Width across flats)	Note) øD	L	A*	M	Min. port size	Mass (g)		
01-32 KQ2H03-32 07-32	10-32 UNF	KQ2H01-32	7	-	16.7	13.7	12.7	2.3	2		
	1/16	KQ2H01-33S	11.11	-	22	18	15.5	2.5	7		
	1/8	KQ2H01-34S	-	21.1	13.5	9					
	1/4	KQ2H01-35S	14.29	-	19	16					
5/32	10-32 UNF	KQ2H03-32	8	-	17	14	12.7	2.3	2.4		
	1/16	KQ2H03-33S	11.11	-	22	18	16	3	7		
	1/8	KQ2H03-34S	-	21.1	13.5	9					
	1/4	KQ2H03-35S	14.29	-	19	16					
3/16	10-32 UNF	KQ2H05-32	8	11	24	20.4	16.5	2.3	6		
	1/8	KQ2H05-34S	12.7	-	21.1	18			11		
	1/4	KQ2H05-35S	14.29	-	20.5	15			12		
1/4	10-32 UNF	KQ2H07-32	11.11	-	18.4	15.4	13.6	2.3	3.3		
	1/8	KQ2H07-34S	12.7	-	21.6	18.5			17	4.6	10
	1/4	KQ2H07-35S	14.29	-	22.5	17					15
	3/8	KQ2H07-36S	17.46	-	20.9	16.5					27
5/16	1/8	KQ2H09-34S	14.29	-	27.6	24.5	18.5	6	15		
	1/4	KQ2H09-35S	-	26	20.5	16					
	3/8	KQ2H09-36S	17.46	-	20.9	15.5			24		
3/8	1/8	KQ2H11-34S	-	-	29.6	26.5	21	6	29		
	1/4	KQ2H11-35S	17.46	-	33	27.5			31		
	3/8	KQ2H11-36S	-	-	27.9	22.5			29		
	1/2	KQ2H11-37S	22.23	-	25.6	18.5			46		
1/2	1/4	KQ2H13-35S	-	-	34	28.5	22	9.6	44		
	3/8	KQ2H13-36S	22.23	-	31.9	26.5			44		
	1/2	KQ2H13-37S	-	-	29.1	22			44		



* Reference dimensions after NPT thread installation.
Note) øD: Max. diameter

Hexagon Socket Head Male Connector: KQ2S

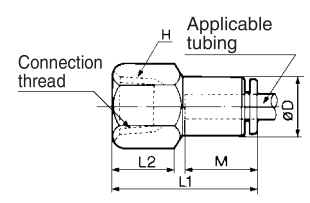
Applicable tubing O.D. (inch)	Connection thread UNF NPT	Model	H (Width across flats)	Note) øD	L	A*	M	Min. port size	Mass (g)
1/8	10-32 UNF	KQ2S01-32	2	7	19.7	16.6	12.7	2	2.8
	10-32 UNF	KQ2S03-32	2.5	8	18.7	15.6	12.7	2.3	2.7
5/32	1/8	KQ2S03-34S	2.78	10.5	23.5	19.5	16	2.8	8
	1/8	KQ2S05-34S	3.57	10.7	23.5	19.5	16.5	3.6	8
3/16	10-32 UNF	KQ2S07-32	2.5	10.3	19.6	16.5	13.6	2.3	3.3
	1/8	KQ2S07-34S	-	12.5	22	18	17	4.9	7
	1/4	KQ2S07-35S	4.76	13.8	23	17			12
	3/8	KQ2S07-36S	-	17	27	21			27
5/16	1/8	KQ2S09-34S	5.56	14	28	24	18.5	6.5	12
	1/4	KQ2S09-35S	6.35	-	25.5	19.5			11
	3/8	KQ2S09-36S	-	17.5	27.5	21			25
3/8	1/8	KQ2S11-34S	5.56	16.5	30	26	21	6.5	17
	1/4	KQ2S11-35S	6.35	16.5	32	26			21
	3/8	KQ2S11-36S	6.35	17.2	29	23			25
	1/2	KQ2S11-37S	6.35	21.3	30	22			45
1/2	1/4	KQ2S13-35S	7.94	20	34.5	28.5	22	9.6	26
	3/8	KQ2S13-36S	9.53	-	33	26.5			27
	1/2	KQ2S13-37S	9.53	21.3	31	22.5			36



* Reference dimensions after NPT thread installation.
Note) øD: Max. diameter

Female Connector: KQ2F

Applicable tubing O.D. (inch)	Connection thread UNF NPT	Model	H (Width across flats)	Note) øD	L1	L2	M	Min. port size	Mass (g)
1/8	1/8	KQ2F01-34	14.29	9.2	26.5	11.5	15.5	2.5	16
	1/4	KQ2F01-35	17.46		30.5	14.5			26
5/32	1/8	KQ2F03-34	14.29	10	27	11	16	3	15
	1/4	KQ2F03-35	17.46		31	13.5			24
1/4	1/8	KQ2F07-34	14.29	12.5	27.5	10.5	17	4.6	17
	1/4	KQ2F07-35	17.46		31	13.5			25
	3/8	KQ2F07-36	22.23		33.5	15.5			44
5/16	1/8	KQ2F09-34	14.29	14	29	10.5	18.5	6	18
	1/4	KQ2F09-35	17.46		32.5	13.5			26
	3/8	KQ2F09-36	22.23		34.5	13			38
3/8	1/4	KQ2F11-35	17.46	16.5	34.5	15	21	7	30
	3/8	KQ2F11-36	22.23		36.5	15			48
	1/2	KQ2F11-37	23.81		40.5	19			52
1/2	3/8	KQ2F13-36	22.23	20	36.5	14.5	22	9.6	48
	1/2	KQ2F13-37	23.81		41	18.5			53



Note) øD: Max. diameter