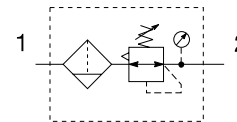


Compact Filter / Regulator - P32

Symbols



- Integral 1/4", 3/8" or 1/2" ports (NPT, BSPP & BSPT)
- High efficiency 5 micron element as standard
- Excellent water removal efficiency
- Robust but lightweight aluminum construction
- Positive bayonet latch to ensure correct & safe fitting
- Secondary pressure ranges 0-2 bar (0-30 psig), 0-4 bar, (0-60 psig), 0-8 bar (0-125 psig), 0-17 bar (0-250 psig)
- Secondary aspiration plus balanced poppet provides quick response and accurate pressure regulation

Options:

P 3 2	E A			E				N			P
Thread type		Port size		Drain type		Relief		Adjustment range		Mounting	
BSPP	1	1/4	2	Manual drain	M	Relieving	B	With round gauge		Plastic panel mount nut	
BSPT	2	3/8	3	Auto drain	A	Non relieving	N	2 bar; 30 psig; 0.2 MPa		Z	
NPT	9	1/2	4					4 bar; 60 psig; 0.4 MPa		M	
Element								8 bar; 125 psig; 0.8 MPa		G	
5µ Element				E				17 bar; 250 psig; 1.7 MPa		J	
Bowl type								Without gauge			
Poly bowl with bowl guard				G				2 bar; 30 psig; 0.2 MPa		Y	
Metal bowl without sight gauge				M				4 bar; 60 psig; 0.4 MPa		L	
Metal bowl with sight gauge				S				8 bar; 125 psig; 0.8 MPa		N	
								17 bar; 250 psig; 1.7 MPa		H	

Port size	Description	Order Code†	Flow dm ³ /s (scfm)	Max. bar (psig)	Height mm (inches)	Width mm (inches)	Depth mm (inches)
1/4"	8 bar (125 psig) Relieving - Poly bowl - Manual drain	P32EA22EGMBNGP	42 (89)	10 (150)	254 (10.0)	60 (2.36)	60 (2.36)
1/4"	8 bar (125 psig) Relieving - Poly bowl - Auto drain	P32EA22EGABNGP	42 (89)	10 (150)	248 (9.76)	60 (2.36)	60 (2.36)
1/4"	8 bar (125 psig) Relieving - Metal bowl - Manual drain	P32EA22ESMBNGP	42 (89)	17 (250)	245 (9.66)	60 (2.36)	60 (2.36)
1/4"	8 bar (125 psig) Relieving - Metal bowl - Auto drain	P32EA22ESABNGP	42 (89)	17 (250)	254 (10.0)	60 (2.36)	95 (3.74)
3/8"	8 bar (125 psig) Relieving - Poly bowl - Manual drain	P32EA23EGMBNGP	58 (123)	10 (150)	254 (10.0)	60 (2.36)	60 (2.36)
3/8"	8 bar (125 psig) Relieving - Poly bowl - Auto drain	P32EA23EGABNGP	58 (123)	10 (150)	248 (9.76)	60 (2.36)	60 (2.36)
3/8"	8 bar (125 psig) Relieving - Metal bowl - Manual drain	P32EA23ESMBNGP	58 (123)	17 (250)	245 (9.66)	60 (2.36)	60 (2.36)
3/8"	8 bar (125 psig) Relieving - Metal bowl - Auto drain	P32EA23ESABNGP	58 (123)	17 (250)	254 (10.0)	60 (2.36)	95 (3.74)
1/2"	8 bar (125 psig) Relieving - Poly bowl - Manual drain	P32EA24EGMBNGP	64 (136)	10 (150)	245 (9.66)	60 (2.36)	95 (3.74)
1/2"	8 bar (125 psig) Relieving - Poly bowl - Auto drain	P32EA24EGABNGP	64 (136)	10 (150)	248 (9.76)	60 (2.36)	95 (3.74)
1/2"	8 bar (125 psig) Relieving - Metal bowl - Manual drain	P32EA24ESMBNGP	64 (136)	17 (250)	245 (9.66)	60 (2.36)	60 (2.36)
1/2"	8 bar (125 psig) Relieving - Metal bowl - Auto drain	P32EA24ESABNGP	64 (136)	17 (250)	254 (10.0)	60 (2.36)	60 (2.36)

* flow with 10 bar (145 psig) inlet pressure, 6.3 bar (91.3 psig) set pressure and 1 bar (14.5 psig) pressure drop.

† **Standard part numbers shown in bold. For other models refer to Options chart above.**

Specifications

Flow Capacity*	1/4	42 dm ³ /s (89 scfm)
	3/8	58 dm ³ /s (123 scfm)
	1/2	64 dm ³ /s (136 scfm)
Max. Operating Temperature	Plastic Bowl	52°C (125°F)
	Metal Bowl	65.5°C (150°F)
Max. Supply Pressure	Plastic Bowl	10 bar (150 psig)
	Metal Bowl	17 bar (250 psig)
Standard Filtration	5 Micron	
Useful Retention†	51 cm ³ (1.7 US oz.)	
Adjusting Range Pressure	0-2 bar (30 psig)	
	0-4 bar (60 psig)	
	0-8 bar (125 psig)	
Port Size	0-17 bar (250 psig)	
	BSP / BSPT / NPT	1/4, 3/8, 1/2
	Gauge Port (2 ea.)	BSP / BSPT / NPT 1/4
Weight	0.53 kg (1.17 lbs)	

* Inlet pressure 10 bar (145 psig). Secondary pressure 6.3 bar (91.3 psig).
 † Useful retention refers to volume below the quiet zone baffle.

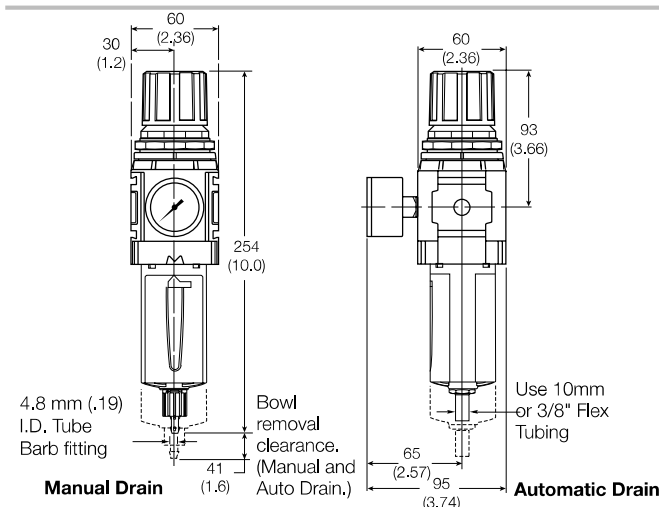
Air quality:

Within ISO 8573-1: 1991 Class 3 (Particulates)
 Within ISO 8573-1: 2001 Class 6 (Particulates)

Materials of Construction

Body	Aluminum	
Adjustment Knob	Acetal	
Body Cap	ABS	
Element Retainer / Baffle	Acetal	
Bowl	Plastic Bowl	Polycarbonate
	Metal Bowl	Zinc
Bowl Guard	Nylon	
Filter Element	Sintered Polyethylene	
Seals	Plastic Bowl	Nitrile
	Metal Bowl	Nitrile
Springs	Main Regulating / Valve	Steel / S.S.
Valve Assembly	Brass / Nitrile	
Diaphragm Assembly	Nitrile / Zinc	
Panel Nut	Acetal	
Sight Gauge	Metal Bowl	Polycarbonate

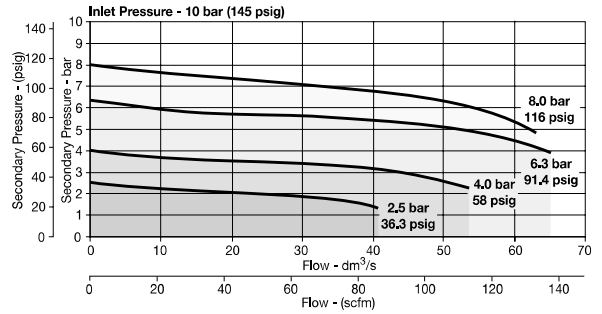
Dimensions



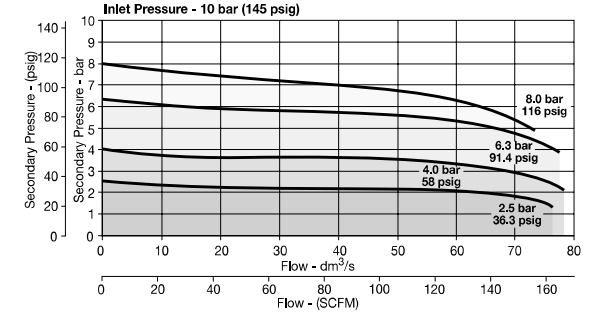
WARNING
 Product rupture can cause serious injury.
 Do not connect regulator to bottled gas.
 Do not exceed Maximum primary pressure rating.

Flow Charts

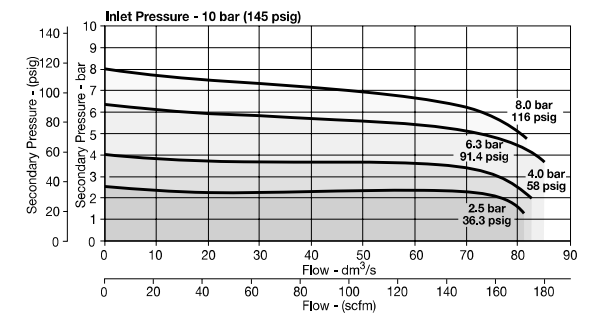
1/4 Filter/Regulator



3/8 Filter/Regulator



1/2 Filter/Regulator



Repair and Service Kits

Plastic bowl / Bowl guard manual drain	P32KA00BGM
Metal bowl / Sight gauge manual drain	P32KA00BSM
Auto drain	P32KA00DA
5µ particle filter element	P32KA00ESE
Regulator repair kit - Relieving	P32KA00RB
Regulator repair kit - Non-relieving	P32KA00RC
Panel mount nut - Aluminum	P32KA00MM
Panel mount nut - Plastic	P32KA00MP
Angle Bracket (fits to panel mount threads)	P32KA00MR
T-Bracket (fits to body connector)	P32KA00MB
T-Bracket with body connector	P32KA00MT
Body connector	P32KA00CB

Gauges

50mm (2") Round 1/4" center back mount

0-2 bar / 0-0.2 Mpa / 0-30 psig	K4520R1402B
0-4 bar / 0-0.4 Mpa / 0-60 psig	K4520R1404B
0-11 bar / 0-1.1 Mpa / 0-160 psig	K4520R1411B
0-20 bar / 0-2 Mpa / 0-300 psig	K4520R1420B

For best performance, regulated pressure should always be set by increasing the pressure up to the desired setting.

