

PCG Multiple Bellows Vacuum Cups



Features

- **Soft Touch**
- **Extra Level Compensation**
- **Flexible Sealing Lip for Irregular Curved Surfaces**
- **5 mm to 90 mm in Diameter**

Applications

These multiple bellow cups are designed for applications that require additional level compensation, more flexibility, or minimum back pressure for a "soft touch". The multiple bellow has a soft sealing edge good for a variety of sensitive applications; such as food packaging, CD / DVD, medical packaging, and highly irregular curved surfaces. Cups can also be used to assist with sheet separation in destack operations.

PCG Series Vacuum Cups

2-1/2 bellows design minimizes contact pressure applied to the product. The soft seal lip and touch allows the cup to conform to the product's surface to make a vacuum seal.

PCTK Series Barbed Bulkhead

Top stem connectors secured with jam nuts and allow tubing connections at the top side. Nickel plated brass materials.



PCTM Series Male Thread Connector

Simple male connection for low profile positions secured to a plate or bracket.

Fitting Material: Aluminium.



PCYK Series 90° Barbed Adapter

Side stem connectors allow you to secure the stem with a bolt through a plate or "L" bracket to allow the tube connection from the side port. Nickel plated brass materials.



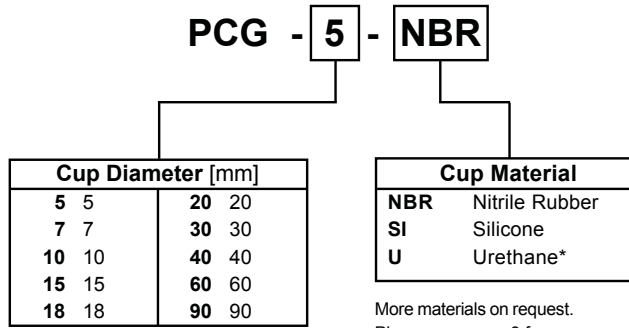
PCTF Series Female Thread Connector

Simple female connection for low profile positions secured to a plate or bracket.

Fitting Material: Aluminium.



Model Number Index



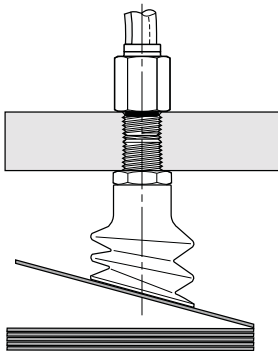
More materials on request.
Please see page 8 for material specifications.
* Not available for Ø 90.

Application Guide

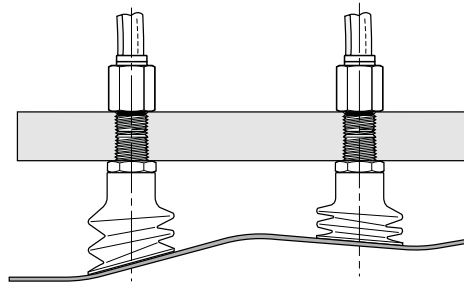
2-1/2 Bellows



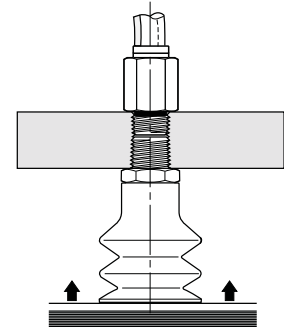
- Destack Perimeter Separation



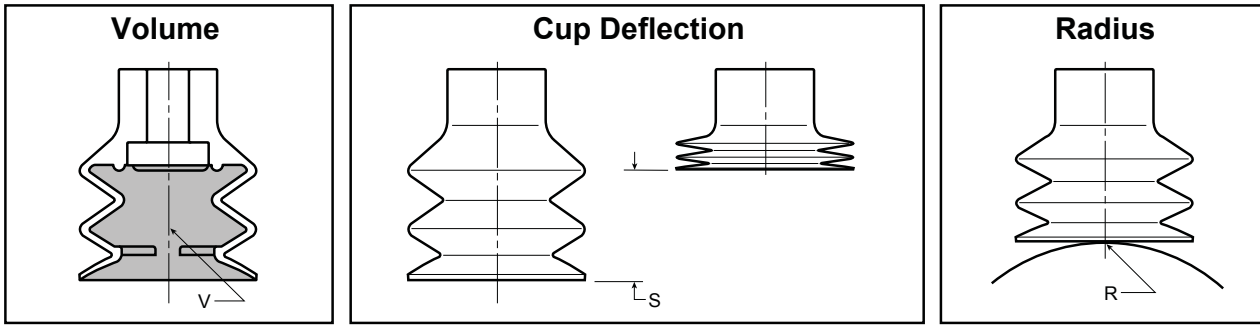
- Level Compensation for applications where Level Compensators do not have adequate space





- Controlling downstroke lifts product on contact



Main Data for 2-1/2 Bellows PJG Cups

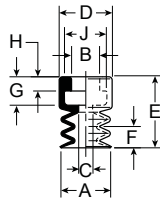


Model Number	Cup Diameter [mm]	Area [cm ²]	Volume [V] Liters	Lifting Force @ 60% [N]		Cup Deflection [S] [mm]	Radius R [mm]
							
PCG-5-*	5	0,20	0,00003	1,20	—	3	3,5
PCG-7-*	7	0,39	0,00004	2,40	—	3	4,0
PCG-10-*	10	0,79	0,0001	4,80	—	3	5,0
PCG-15-*	15	1,77	0,0009	10,8	—	10	6,0
PCG-18-*	18	2,55	0,001	15,6	—	10	7,0
PCG-20-*	20	3,14	0,002	19,2	—	10	8,0
PCG-30-*	30	7,07	0,009	43,2	—	14,5	20,0
PCG-40-*	40	12,6	0,018	76,9	—	22	30,0
PCG-60-*	60	28,3	0,072	173	—	27	55,0
PCG-90-*	90	63,6	0,1639	389	—	42	80,0

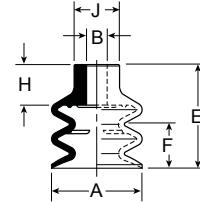
* Cup Material

Dimensions

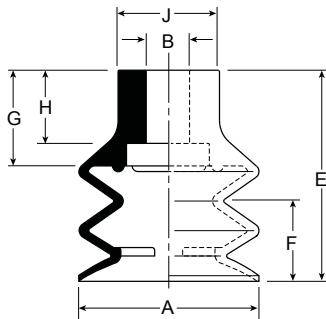
PCG-5 and
PCG-7



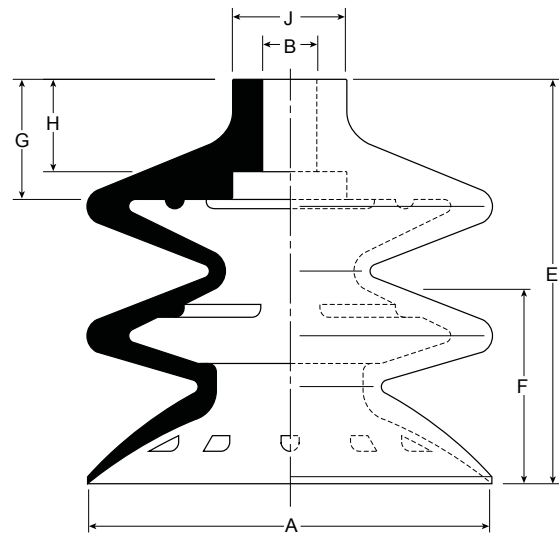
PCG-10 thru
PCG-20



PCG-30 thru
PCG-60



PCG-90



Model Number	ØA	ØB	ØC	ØD	E	F	G	H	J
PCG-5-*	5	4	2	7,5	9,5	3	4	2	6
PCG-7-*	7	4	2	7,5	10	3	4	2	6
PCG-10-*	9	5	—	—	15	3	7	—	9
PCG-15-*	15,2	5	—	—	22	10	9	—	10
PCG-18-*	18,6	5	—	—	23	10	9	—	10
PCG-20-*	20	5	—	—	23	10	9	—	10
PCG-30-*	32	8	—	—	37,5	14,5	17	13	18
PCG-40-*	42	8	—	—	46	22	17	13	20
PCG-60-*	62	8	—	—	55	27	18	13	21,5
PCG-90-*	88	12	—	—	87,5	42	26	20	25

Millimeter

* Cup Material

