

Specifications

Flow Capacity*	1/4	14 dm ³ /s (30.0 scfm)
Max. Operating Temperature	Plastic Bowl	52°C (125°F)
Temperature	Metal Bowl	65.5°C (150°F)
Max. Supply Pressure	Plastic Bowl	10 bar (150 psig)
Pressure	Metal Bowl	17 bar (250 psig)
Standard Filtration	5 Micron	
Useful Retention	12 cm ³ (0.4 US oz.)	
Adjusting Range	0-2 bar (30 psig)	
Pressure	0-4 bar (60 psig)	
	0-8 bar (125 psig)	
Port Size	BSP / BSPT / NPT	1/4
Gauge Port (2 ea.)**	BSP / BSPT / NPT	1/8
Weight	0.19 kg (0.42 lbs)	

* Inlet pressure 10 bar (145 psig), Secondary pressure 6.3 bar (91.3 psig).
 ** Non-gauge option only.

Air quality:

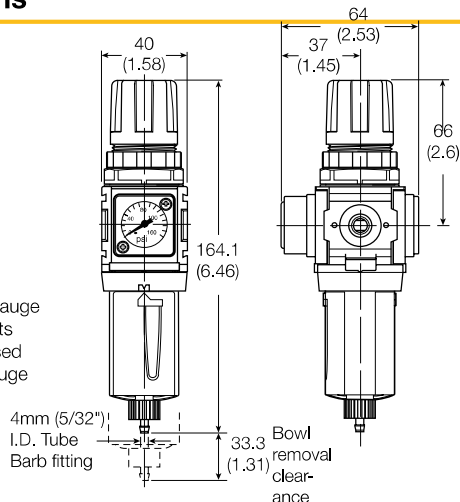
Within ISO 8573-1: 1991 Class 3 (Particulates)
 Within ISO 8573-1: 2001 Class 6 (Particulates)

Materials of Construction

Body	Aluminum	
Adjustment Knob	Acetal	
Body Cap	ABS	
Bonnet	PBT	
Bowl	Plastic Bowl	Polycarbonate
	Metal Bowl	Aluminum
Bowl Guard	Nylon	
Filter Element	Polyethylene	
Seals	Plastic Bowl	Nitrile
	Metal Bowl	Nitrile
Springs	Steel	
Valve Assembly	Brass / Nitrile	
Diaphragm Assembly	Brass / Nitrile	
Panel Nut	Acetal	

For best performance, regulated pressure should always be set by increasing the pressure up to the desired setting.

Dimensions



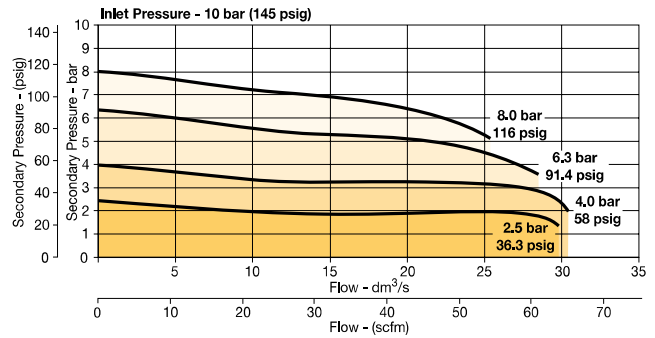
Note:
 Flush-mounted gauge kits will not fit units originally purchased with threaded gauge ports.

⚠ WARNING

Product rupture can cause serious injury. Do not connect regulator to bottled gas. Do not exceed Maximum primary pressure rating.

Flow Charts

1/4 Filter/Regulator



Repair and Service Kits

Plastic bowl / Bowl guard manual drain	P31KA00BGM
Metal bowl / w/o sight gauge manual drain	P31KA00BMM
Plastic bowl / Bowl guard pulse drain	P31KA00BGB
Metal bowl / w/o sight gauge pulse drain	P31KA00BMB
5µ particle filter element	P31KA00ESE
Regulator repair kit - Relieving	P31KA00RB
Regulator repair kit - Non-relieving	P31KA00RC
Panel mount nut - Aluminum	P31KA00MM
Panel mount nut - Plastic	P31KA00MP
Angle Bracket (uses panel mount threads)	P31KA00MR
C-Bracket (fits to body)	P31KA00MW
T-Bracket with body connector	P31KA00MT
Body connector	P31KA00CB

Gauges

Square flush mount gauge

0-4 bar	K4511SCR04B
0-10 bar	K4511SCR11B
0-60 psig	K4511SCR060
0-150 psig	K4511SCR150
0-0.4 Mpa	K45SCR04M
0-1.1 Mpa	K45SCR11M

40mm Round 1/8" center back mount

(Not for use with Common Port Regulators)

0-2 bar (0-0.2 Mpa)	K4515R1402B
0-4 bar (0-0.4 Mpa)	K4515R1404B
0-8 bar (0-0.8 Mpa)	K4515R1411B

For best performance, regulated pressure should always be set by increasing the pressure up to the desired setting.