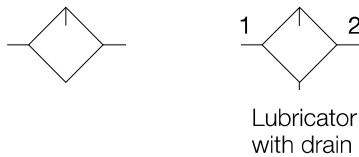


Compact Lubricator - P32



Symbols



- Integral 1/4", 3/8" or 1/2" ports (NPT, BSPP & BSPT)
- Robust but lightweight aluminum construction
- Proportional oil delivery over a wide range of air flows
- Finger tip ratchet control for precise oil drip rate adjustment
- Fill from top under system pressure

Options:

P 3 2	L A			L		N	N
Thread type		Port size		Bowl type		Mounting	
BSPP	1	1/4	2	Poly bowl with bowl guard	G	No bracket	N
BSPT	2	3/8	3	Metal bowl with sight gauge	S		
NPT	9	1/2	4				
Type				Drain type			
Oil mist standard sight dome				No drain; closed end			
				L			
				N			

Port size	Description	Order Code†	Flow dm ³ /s (scfm)	Max. bar (psig)	Height mm (inches)	Width mm (inches)	Depth mm (inches)
1/4"	Poly bowl - No drain	P32LA22LGNN	18 (38)	10 (150)	211 (8.30)	60 (2.36)	60 (2.36)
1/4"	Metal bowl - No drain	P32LA22LSNN	18 (38)	17 (250)	211 (8.30)	60 (2.36)	60 (2.36)
3/8"	Poly bowl - No drain	P32LA23LGNN	32 (68)	10 (150)	211 (8.30)	60 (2.36)	60 (2.36)
3/8"	Metal bowl - No drain	P32LA23LSNN	32 (68)	17 (250)	211 (8.30)	60 (2.36)	60 (2.36)
1/2"	Poly bowl - No drain	P32LA24LGNN	47 (100)	10 (150)	211 (8.30)	60 (2.36)	60 (2.36)
1/2"	Metal bowl - No drain	P32LA24LSNN	47 (100)	17 (250)	211 (8.30)	60 (2.36)	60 (2.36)

* flow with 6.3 bar (91.3 psig) inlet pressure and 0.34 bar (4.9 psig) pressure drop.
 † Standard part numbers shown in bold. For other models refer to Options chart above.

Specifications

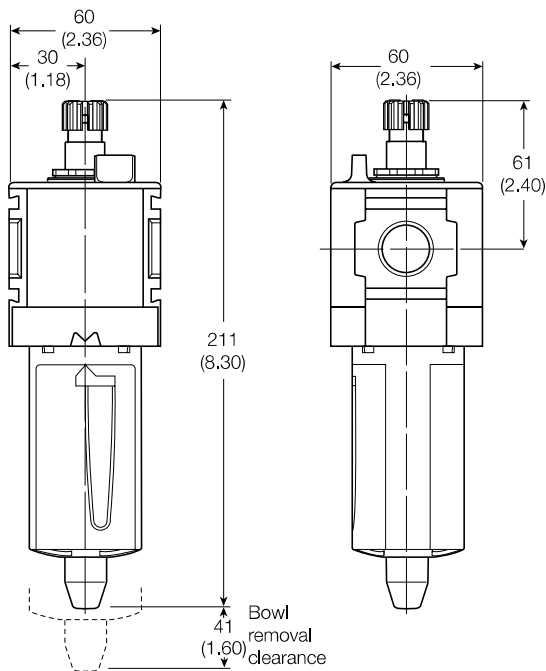
Flow Capacity*	1/4	18 dm ³ /s (38 scfm)
	3/8	32 dm ³ /s (68 scfm)
	1/2	47 dm ³ /s (100 scfm)
Max. Operating Temperature	Plastic Bowl	52°C (125°F)
	Metal Bowl	65.5°C (150°F)
Max. Supply Pressure	Plastic Bowl	10 bar (150 psig)
	Metal Bowl	17 bar (250 psig)
Useful Retention		121 cm ³ (4.09 US oz.)
Port Size	BSPP / BSPT / NPT	1/4, 3/8, 1/2
Weight		0.31 kg (0.68 lbs)

* Inlet pressure 6.3 bar (91.3 psig). Pressure drop 0.34 bar (4.9 psig).

Materials of Construction

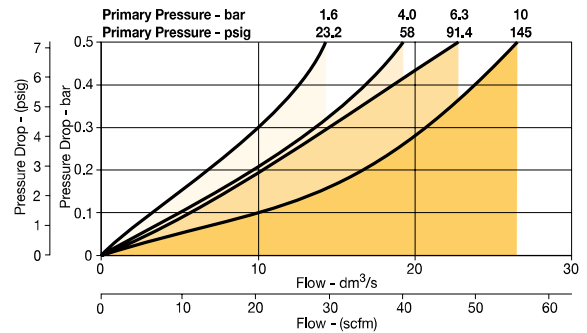
Body	Aluminum	
Body Cap	ABS	
Bowls	Plastic Bowl	Polycarbonate
	Metal Bowl	Aluminum
Seals	Plastic Bowl	Nitrile
	Metal Bowl	Nitrile
Sight Dome	Polycarbonate	
Sight Gauge	Metal Bowl	Polycarbonate
Suggested Lubricant	ISO / ASTM VG32	
Pick-up Filter	Sintered Bronze	

Dimensions

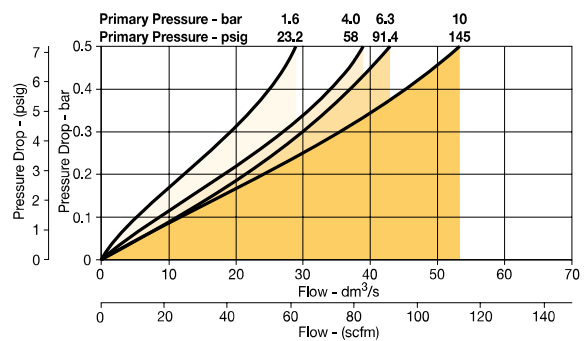


Flow Charts

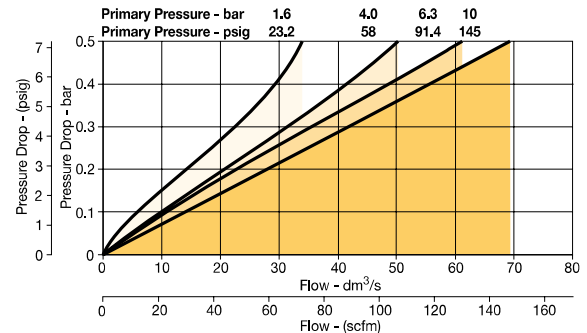
1/4 Lubricator



3/8 Lubricator



1/2 Lubricator



Repair and Service Kits

Plastic bowl / Bowl guard no drain	P32KA00BGN
Drip control assembly	P31KA00PG
Fill plug	P32KA00PL
L-Bracket (fits to body)	P32KA00ML
T-Bracket (fits to body connector)	P32KA00MB
T-Bracket with body connector	P32KA00MT
Body connector	P32KA00CB

Suggested Lubricant F442 Oil

Petroleum based oil of 100 to 200 SUS viscosity at 38°C (100°F) and an aniline point greater than 93°C (200°F)
 (DO NOT USE OILS WITH ADDITIVES, COMPOUNDED OILS CONTAINING SOLVENTS, GRAPHITE, DETERGENTS, OR SYNTHETIC OILS.)