



Air Preparation Products

Global

Prep-Air II

Miniature

P3N

General Industrial

Stainless Steel

Precision / Proportional

Bulk Liquid Separators

P3NF Hi-Flow Particulate Filters

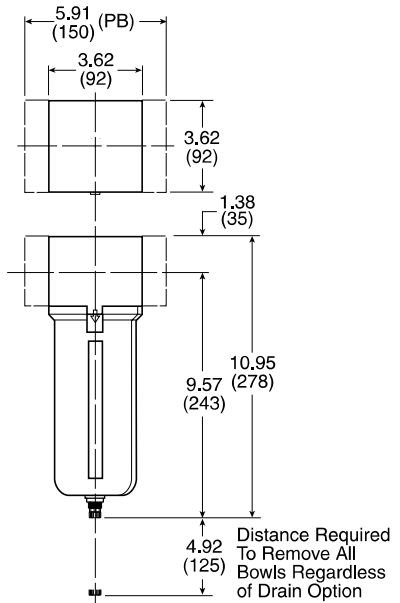
- Excellent water removal efficiency
- Port blocks (PB) available to provide 1-1/2" port extension to 1" ported bodies
- 40 micron element standard
- Metal bowl with sight gauge standard
- 3/4", 1", & 1-1/2" ports (NPT & BSPP)

Material specifications

Description	P3NF (Hi-Flow)
Body	Aluminum
Bowl	Aluminum
Deflector	Plastic
Drain	Plastic
Filter element –	40 micron Plastic
Seals	Nitrile
Sight gauge	Polyamide (Nylon)



P3NF (Hi-Flow)




Operating information

		P3NF (Hi-Flow)
Operating pressure:	Metal bowl	0 to 250 PSIG (0 to 17.2 bar)
	Auto float drain	15 to 250 PSIG (1.0 to 17.2 bar)
Operating temperature:	Metal bowl	32°F to 175°F (0°C to 80°C)

Service kits

Description	P3NF (Hi-Flow)
Bowl Kits – Sight gauge / auto float	P3NKA00BSA
Sight gauge / twist drain	P3NKA00BSM
Bowl latch kit	C11A33
DPI replacement kit	PS781P
Drain kit – Auto drain	PS506P
Twist drain	PS512P
Filter element kit – 40 micron	P3NKA00ESG
5 micron	P3NKA00ESE
Adsorber	P3NKA00ESA
Mounting bracket kit	P3NKA00MW
Sight gauge kit	P3NKA00PE

P3NF Particulate Filters

	Port size	Bowl type	Sight gauge	Flow SCFM	Element type	Part number (NPT)	
						Twist drain	Automatic float drain
P3NF 	3/4"	Metal	Yes	270	40 micron	P3NFA96GSM	P3NFA96GSA
	1"	Metal	Yes	300	40 micron	P3NFA98GSM	P3NFA98GSA
	1-1/2" #	Metal	Yes	310	40 micron	P3NFA9PGSM	P3NFA9PGSA
# 1" port body with 1-1/2" port block							

Note: BSPP ported units supplied using NPT ported bodies and BSPP port block kits.

Most popular.





P3NF Hi-Flow Coalescing Filters

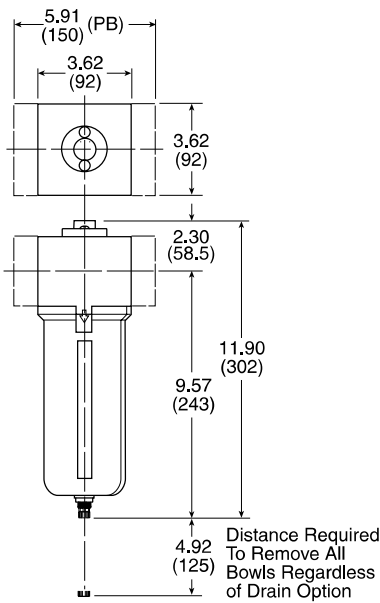
- Removes liquid aerosols and sub-micron particles
- Port blocks (PB) available to provide 1-1/2" port extension to 1" ported bodies
- 0.01 micron element standard
- Metal bowl with sight gauge standard
- 3/4", 1", & 1-1/2" ports (NPT & BSPP)



Material specifications

Description	P3NF (Hi-Flow)	
Body	Aluminum	
Bowl	Aluminum	
Deflector	Plastic	
Drain	Plastic	
Filter elements –	1.0 micron	Borosilicate & felt glass fibers
Seals	Nitrile	
Sight gauge	Polyamide (Nylon)	

P3NF (Hi-Flow)



Operating information

		P3NF (Hi-Flow)
Operating pressure:	Metal bowl	0 to 250 PSIG (0 to 17.2 bar)
	Auto float drain	15 to 250 PSIG (1.0 to 17.2 bar)
Operating temperature:	Metal bowl	32°F to 175°F (0°C to 80°C)

Service kits

Description	P3NF (Hi-Flow)	
Bowl Kits –	Sight gauge / auto float	P3NKA00BSA
	Sight gauge / twist drain	P3NKA00BSM
Bowl latch kit	C11A33	
DPI replacement kit	PS781P	
Drain kit –	Auto drain	PS506P
	Twist drain	PS512P
Filter element kit –	Grade 6 (standard)	P3NKA00ESCB
	Grade 10 (optional)	P3NKA00ES9
Mounting bracket kit	P3NKA00MW	
Sight gauge kit	P3NKA00PE	

Coalescing Filters



	Port size	Bowl type	Sight gauge	Flow SCFM	Element type	Part number (NPT)	
						Twist drain	Automatic float drain
P3NF	3/4"	Metal	Yes	130	0.01 micron	P3NFA96DSM	P3NFA96DSA
	1"	Metal	Yes	140	0.01 micron	P3NFA98DSM	P3NFA98DSA
	1-1/2" #	Metal	Yes	225	0.01 micron	P3NFA9PDSM	P3NFA9PDSA



1" port body with 1-1/2" port block

Note: BSPP ported units supplied using NPT ported bodies and BSPP port block kits.

Most popular.

