

The range of Stainless Steel FRLs are ideal for use in the food industry, the petrochemical or process industries or any application in a particularly harsh or aggressive environment.

- Stainless steel construction handles most corrosive environments
- Fluorocarbon seals standard
- Meets NACE specifications MR-01-75/ISO 15156
- 1/8" female threaded drain



Stainless Steel
Air Preparation Products

Filters

Regulators

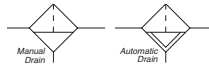
Filter
Regulators

Lubricators

Operating information

		PF504	PF10	PF501	PF11
Operating pressure:	Twist drain	0 to 300 PSIG (0 to 20.7 bar)	0 to 300 PSIG (0 to 20.7 bar)	0 to 300 PSIG (0 to 20.7 bar)	0 to 300 PSIG (0 to 20.7 bar)
	Auto drain	10 to 175 PSIG (0 to 12 bar)	10 to 175 PSIG (0 to 12 bar)	10 to 175 PSIG (0 to 12 bar)	10 to 175 PSIG (0 to 12 bar)
Operating temperature:	Twist drain	0°F to 180°F (-18°C to 82°C)	0°F to 180°F (-18°C to 82°C)	0°F to 180°F (-18°C to 82°C)	0°F to 180°F (-18°C to 82°C)
	Auto drain	32°F to 150°F (0°C to 66°C)	32°F to 150°F (0°C to 66°C)	32°F to 150°F (0°C to 66°C)	32°F to 150°F (0°C to 66°C)
Flow / SCFM (dm ³ /s):		23 (10.85)	70 (33.04)	16 (7.55)	45 (21.24)
For technical information see CD					

Particulate Filters



Port Size	Flow SCFM (dm ³ /s)	Standard filtration	Part number manual drain	Part number auto drain
1/4	23 (10.85)	20 μ	PF504-02DHSS	PF504-02DHRSS
1/2	70 (33.04)	40 μ	PF10-04WJSS	PF10-04WJRSS

Coalescing Filters



Port Size	Flow SCFM (dm ³ /s)	Standard filtration	Part number manual drain	Part number auto drain
1/4	16 (7.55)	.3 μ	PF501-02DHSS	PF501-02DHRSS
1/2	45 (21.24)	.01 μ	PF11-04WJSS	PF11-04WJRSS

Service kits

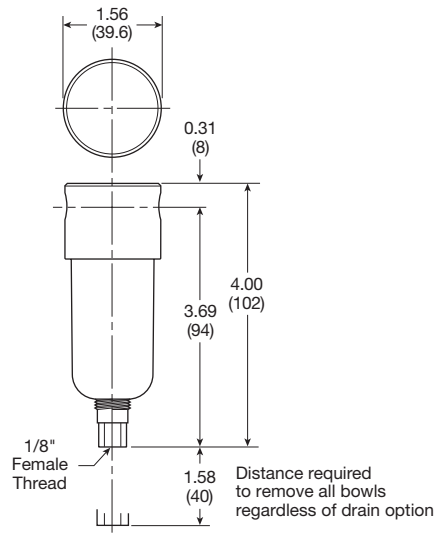
Description	PF504	PF10	PF501	PF11
Drain kit -	automatic pulse	RK504SY-SS		RK504SY-SS
	automatic float		SA10MDSS	SA10MDSS
	manual twist, small (old)	SA600Y7-1SS	SA600Y7-1SS	SA600Y7-1SS
	manual twist, large (new)	SAP05481	SAP05481	SAP05481
Filter element -	5 micron (particulate)	EK504VY	EK55J	
	20 micron (particulate)	EK504Y		
	40 micron (particulate)		EK55G	
	0.3 micron (coalescing)			EK501H
	0.01 micron (coalescing)			
Pipe nipple	616Y28-SS	616A28-SS	616Y28-SS	616A28-SS

Most popular.

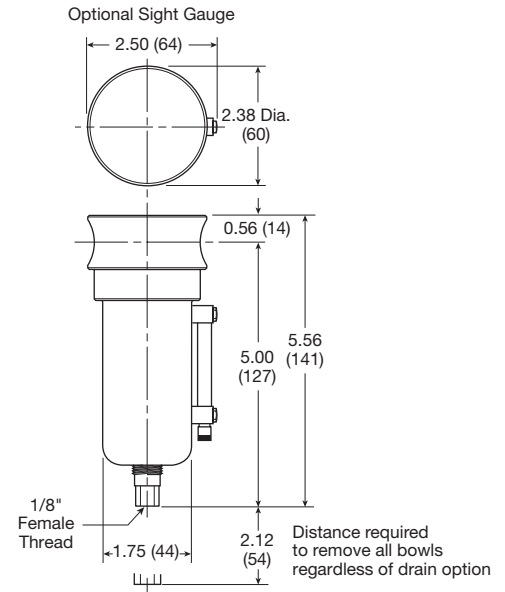


P
Stainless Steel
Air Preparation Products
Filters
Regulators
Filter Regulators
Lubricators

PF504 / PF501



PF10 / PF11



Specifications

Description	PF504	PF10	PF501	PF11
Filter rating	20 micron	40 micron	0.3 micron	0.01 micron
Port threads	1/4	1/2	1/4	1/2
Weight	0.6 lb. (0.27 kg)	1.9 lb. (0.85 kg)	0.6 lb. (0.27 kg)	1.9 lb. (0.85 kg)

Material specifications

Description	PF504	PF10	PF501	PF11
Body	316 stainless steel	316 stainless steel	316 stainless steel	316 stainless steel
Bowls	316 stainless steel	316 stainless steel	316 stainless steel	316 stainless steel
Deflector	Acetal	Acetal		
Drain	316 stainless steel	316 stainless steel	316 stainless steel	316 stainless steel
Element holder	Acetal	Acetal	Acetal	Acetal
Filter element	Polyethylene	Polyethylene	Borosilicate fiber	Borosilicate fiber
Seals	Fluorocarbon	Fluorocarbon	Fluorocarbon	Fluorocarbon
Sight gauge		Isoplast		Isoplast