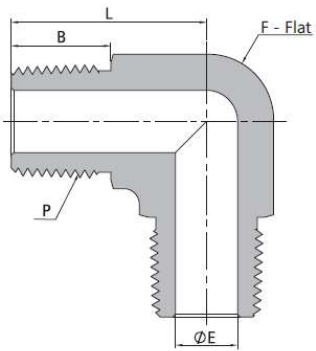


Male Elbows



Male NPT Threads

P-NPT Size	Basic Ordering Number	Dimension, mm				Working Pressure psig (bar)	
		L	F	B	E	316 SS, Steel	Brass
1/16	-MEP-NT1	18.3	9.5	9.7	3.0	11000 (757)	5500 (378)
1/8	-MEP-NT2	22.4	11.1	9.7	4.8	10000 (689)	5000 (344)
1/4	-MEP-NT4	26.7	12.7	14.2	7.1	8000 (551)	4000 (275)
3/8	-MEP-NT6	29.7	17.5	14.2	9.6	7800 (537)	3900 (268)
1/2	-MEP-NT8	36.8	20.6	19.1	11.9	7700 (530)	3800 (261)
3/4	-MEP-NT12	40.4	27.0	19.1	15.7	7300 (502)	3600 (248)
1	-MEP-NT16	50.0	34.9	23.9	22.4	5300 (365)	2600 (179)