

# Easiflow - Meters and Flowswitches

## Flowmeters

### Features & Benefits



- Oil and water calibrated.
- Works in any plane.
- Pressures up to 10 bar.
- Flows from 1 to 150 l/min.
- Accuracy  $\pm 5\%$  FSD.
- Repeatability  $\pm 1\%$  FSD.
- Switches – fully adjustable flow rate signalling.
- Plant and equipment protection.



### Easiflow Meters Specification

#### Construction:

Cone	Acetal
Viewing glass	Borosilicate glass
Calibrated spring	Stainless steel
Seal	Nitrile
Body	Glass filled nylon

**Maximum working pressure:**  
10 bar.

**Minimum working pressure:**  
1 bar.

**Temperature range:**  
+5°C to +80°C - Oil.  
+5°C to +60°C - Water.

#### Flow rate:

1 to 150 l/min.

**Viscosity range:**  
10 to 200 centistokes (oil).

**Accuracy:**  
 $\pm 5\%$  FSD.

**Repeatability:**  
 $\pm 1\%$  FSD.

**Connections:**  
1" BSP parallel threads.

**Weight:**  
0.4kg.

### Flowswitch Specifications

The Easiflow switch is a flow measuring device incorporating an AC/DC switch suitable for controlling valves or pump motors or for activating alarm signals.

**General flowmeter specification:**  
See material details opposite.

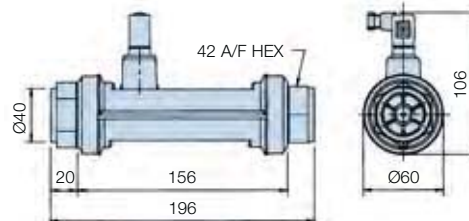
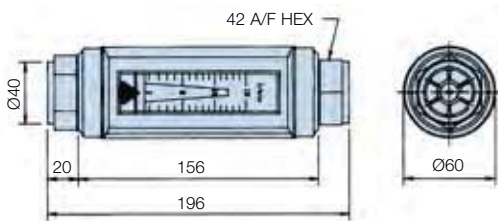
**Switch type specifications:**  
Magnetically operated reed switch.

#### Electrical details:

Voltage range	300Vac/dc
Maximum current	2.5Amps
Maximum load	100W resistive 70W inductive



### Installation Details



### Ordering Information

#### Standard products table – Flowmeter only

Product number	Supersedes	Media	Flow range (l/min)
<b>EF773111220</b>	EFW.0302	Water	2 - 30
<b>EF773111220</b>	EFW.0502	Water	4 - 50
<b>EF7731113220</b>	EFW.1002	Water	5 - 100
<b>EF7731114220</b>	EFW.1502	Water	10 - 150
<b>EF7731110120</b>	EFL.0151	Oil	1 - 15
<b>EF7731111120</b>	EFL.0301	Oil	2 - 30
<b>EF7731112120</b>	EFL.0501	Oil	4 - 50
<b>EF7731113120</b>	EFL.1001	Oil	5 - 100
<b>EF7731114120</b>	EFL.1501	Oil	10 - 150
<b>EF7731110220</b>	EFW.0152	Water	1 - 15

Note 1: Part numbers featured with bold highlighted codes will ensure a 'standard' product selection.

Note 2: Alternate displayed part number selection will require you to contact Parker Filtration for availability.

#### Standard products table – Flowmeter plus one switch

Product number	Supersedes	Media	Flow range (l/min)	Switch range (l/min)
<b>EF7731110221</b>	ESW.015S1	Water	1 - 15	5 - 15
<b>EF7731111221</b>	ESW.030S1	Water	2 - 30	5 - 30
<b>EF7731110121</b>	ESL.015S1	Oil	1 - 15	5 - 15
<b>EF7731111121</b>	ESL.030S1	Oil	2 - 30	5 - 30
<b>EF7731112121</b>	ESL.050S1	Oil	4 - 50	10 - 50
<b>EF7731113121</b>	ESL.100S1	Oil	5 - 100	20 - 100
<b>EF7731114121</b>	ESL.150S1	Oil	10 - 150	30 - 150
<b>EF7731112221</b>	ESW.050S1	Water	4 - 50	10 - 50
<b>EF7731113221</b>	ESW.100S1	Water	5 - 100	20 - 100
<b>EF7731114221</b>	ESW.150S1	Water	10 - 150	30 - 150

Note 1: Part numbers featured with bold highlighted codes will ensure a 'standard' product selection.

Note 2: Alternate displayed part number selection will require you to contact Parker Filtration for availability.



# Dataflow - 4 to 20mA and Pulse Output Flow Transmitters

## Flowmeters

### Features & Benefits



- 4 to 20mA output.
- Pulse output available for totalising/batching.
- Works in any plane.
- Accepts reverse flow.
- Maximum flow 150 l/min.
- Negligible pressure drop.
- Pressures up to 10 bar.
- Low cost. Simple to install.
- For use with most liquids.
- Factory calibrated. Accuracy  $\pm 2\%$ .
- DIN 43650 plug connection (included).

### Specification

#### Construction:

Borosilicate glasstube.  
Nitrile seals.  
Body – Glass filled nylon.  
Rotor and locater – Acetal.  
Washers and shaft – Stainless steel.  
Rotor tips – Stainless steel.

**Max. working pressure:**  
10 bar oil/water.

**Flow indication:**  
Min: 2 l/min.  
Max: 150 l/min.  
Accepts reverse flow.

**Accuracy:**  
 $\pm 2\%$  FSD.

**Temp range:**  
+5°C to +80°C oil.  
+5°C to +60°C water.

#### Connections:

1" BSP parallel threads.

**Weight:**  
0.7Kg.

**Calibration 4 to 20mA:**  
4mA = 0 l/min,  
20mA = 100 l/min.

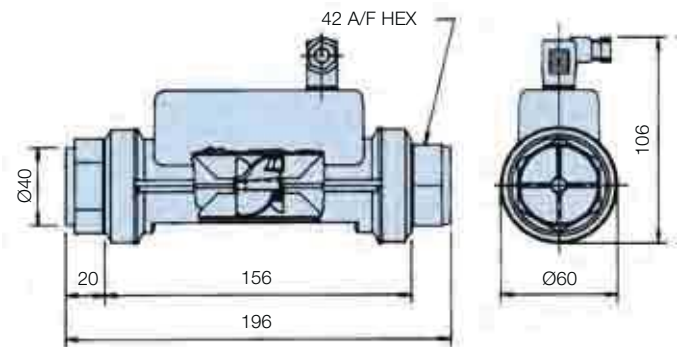
**Calibration pulse output per litre:**  
'K' factors.  
Oil = 51.14  
Water = 44.25

**Electrical details 4 to 20mA:**  
Supply = 24Vdc.

**Pulse output:**  
Supply = 24Vdc.  
(open collector transistor).



### Installation Details



### Ordering Information

#### Standard products table

Product number	Supersedes	Description
<b>DFT980</b>	DFT.980	Dataflow "Pulse" output transmitter
<b>DFT990</b>	DFT.990	Dataflow 4-20mA transmitter

Note 1: Part numbers featured with bold highlighted codes will ensure a 'standard' product selection.  
Note 2: Alternate displayed part number selection will require you to contact Parker Filtration for availability.



Dataflow 4-20mA transmitter can be connected to a Digital Display Unit (DDU1001 or DDU1002)

### Digital Display Specification (DFT 990 only)

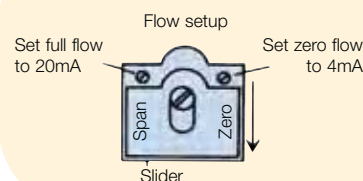
For indicator options please refer to MS150 section of the catalogue, reference DDU1001 and DDU1002 indicators

### 4 to 20mA On-Site Calibration

Set your system to zero flow. Connect a multimeter across terminals 1 (+20mA) and  $\ominus$  (0mA) (Dia. 2). Set the zero to read 4mA on your multimeter (Dia. 1). Set your system to full flow and set the span to read 20mA on your multimeter. (Dia. 1)

Note: Minimum span setting = 30 l/min

#### Diagram 1



#### Diagram 2

