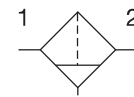


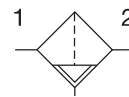
Compact Particulate Filter - P32



Symbols



Manual drain



Auto drain

- Integral 1/4", 3/8" or 1/2" ports (NPT & BSPP)
- High efficiency 5 micron element as standard
- Excellent water removal efficiency
- Robust but lightweight aluminum construction
- Positive bayonet latch to ensure correct & safe fitting

Order Code for Ordering

| Port size | Description | Flow † dm ³ /s (scfm) | Max. bar (psig) | Height mm (inches) | Width mm (inches) | Depth mm (inches) | Part number ° |
|-----------|---------------------------|-------------------------------------|--------------------|-----------------------|----------------------|----------------------|--------------------|
| 1/4" | Poly bowl - manual drain | 24 (50) | 10 (150) | 190.3 (7.49) | 60 (2.36) | 60 (2.36) | P32FB12EGMN |
| 1/4" | Poly bowl - auto drain | 24 (50) | 10 (150) | 184.3 (7.26) | 60 (2.36) | 60 (2.36) | P32FB12EGAN |
| 1/4" | Metal bowl - manual drain | 24 (50) | 17 (250) | 190.3 (7.49) | 60 (2.36) | 60 (2.36) | P32FB12ESMN |
| 1/4" | Metal bowl - auto drain | 24 (50) | 17 (250) | 184.3 (7.26) | 60 (2.36) | 60 (2.36) | P32FB12ESAN |
| 3/8" | Poly bowl - manual drain | 37 (78) | 10 (150) | 190.3 (7.49) | 60 (2.36) | 60 (2.36) | P32FB13EGMN |
| 3/8" | Poly bowl - auto drain | 37 (78) | 10 (150) | 184.3 (7.26) | 60 (2.36) | 60 (2.36) | P32FB13EGAN |
| 3/8" | Metal bowl - manual drain | 37 (78) | 17 (250) | 190.3 (7.49) | 60 (2.36) | 60 (2.36) | P32FB13ESMN |
| 3/8" | Metal bowl - auto drain | 37 (78) | 17 (250) | 184.3 (7.26) | 60 (2.36) | 60 (2.36) | P32FB13ESAN |
| 1/2" | Poly bowl - manual drain | 39 (82) | 10 (150) | 190.3 (7.49) | 60 (2.36) | 60 (2.36) | P32FB14EGMN |
| 1/2" | Poly bowl - auto drain | 39 (82) | 10 (150) | 184.3 (7.26) | 60 (2.36) | 60 (2.36) | P32FB14EGAN |
| 1/2" | Metal bowl - manual drain | 39 (82) | 17 (250) | 190.3 (7.49) | 60 (2.36) | 60 (2.36) | P32FB14ESMN |
| 1/2" | Metal bowl - auto drain | 39 (82) | 17 (250) | 184.3 (7.26) | 60 (2.36) | 60 (2.36) | P32FB14ESAN |

† Flow with 6.3 bar (91.3 psig) inlet pressure and 0.34 (4.9 psig) pressure drop.

° For thread type: BSPP **1** NPT **9**

Specifications

| | | |
|-----------------------|--------------|----------------------------------|
| Flow capacity * | 1/4 | 24 dm ³ /s (50 scfm) |
| | 3/8 | 37 dm ³ /s (78 scfm) |
| | 1/2 | 39 dm ³ /s (82 scfm) |
| Operating temperature | Plastic bowl | -25°C to 52°C (-13°F to 125°F) |
| | Metal bowl | -25°C to 65.5°C (-13°F to 150°F) |
| Max. supply pressure | Plastic bowl | 10 bar (150 psig) |
| | Metal bowl | 17 bar (250 psig) |
| Standard filtration | | 5 micron |
| Useful retention † | | 51 cm ³ (1.7 US oz.) |
| Port size | BSPP / NPT | 1/4, 3/8, 1/2 |
| Weight | | 0.28 kg (0.62 lbs) |

* Inlet pressure 6.3 bar (91.3 psig). Pressure drop 0.34 bar (4.9 psig).
 † Useful retention refers to volume below the quiet zone baffle.

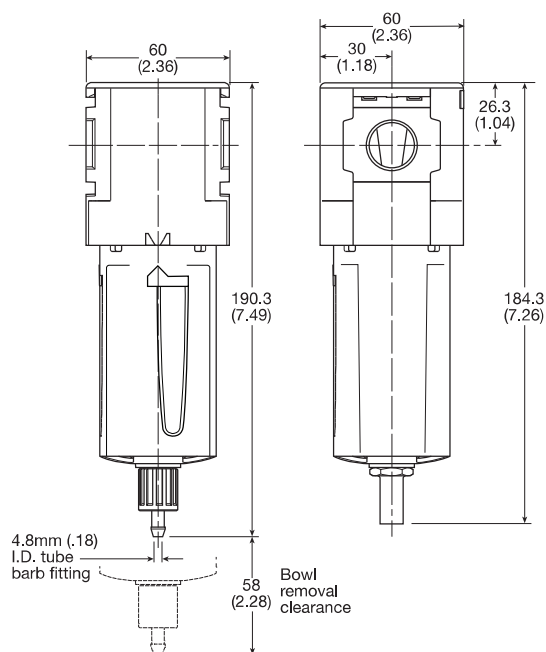
Air quality:

Within ISO 8573-1: 1991 Class 3 (Particulates)
 Within ISO 8573-1: 2010 Class 6 (Particulates)

Material Specifications

| | | |
|---------------------------|--------------|-----------------------|
| Body | | Aluminum |
| Body cap | | ABS |
| Bowls | Plastic bowl | Polycarbonate |
| | Metal bowl | Aluminum |
| Bowl guard | | Nylon |
| Deflector | | Polypropylene |
| Element retainer / Baffle | | Acetal |
| Filter element | | Sintered polyethylene |
| Seals | | Nitrile |
| Sight gauge | Metal bowl | Nylon |

Dimensions mm (inches)

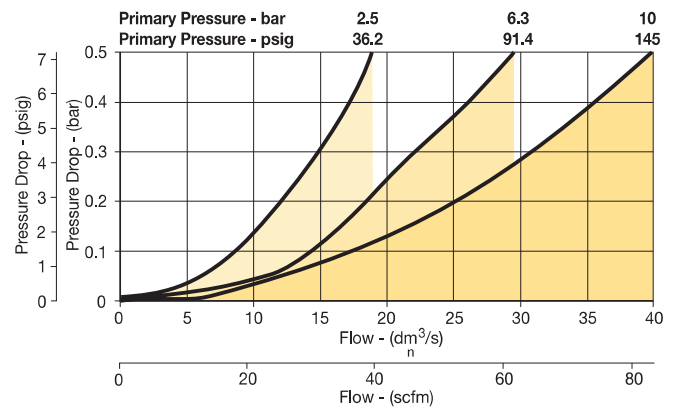


Manual Drain

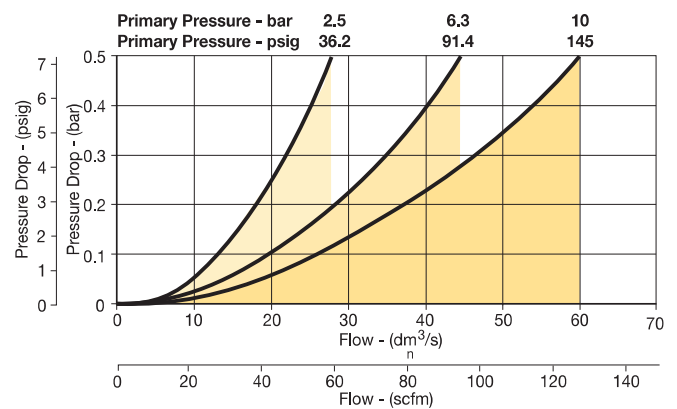
Automatic Drain

Flow Charts

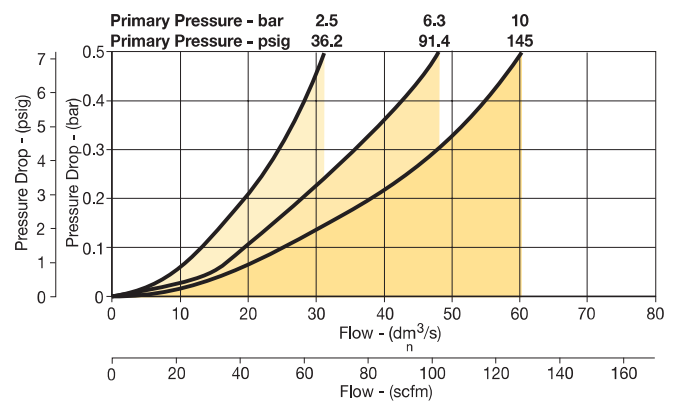
P32FB 1/4" Filter



P32FB 3/8" Filter



P32FB 1/2" Filter



Repair and Mounting Kits

| | |
|--|---------------------|
| Plastic bowl / Bowl guard manual drain | P32KB00BGM |
| Metal bowl / Sight gauge manual drain | P32KB00BSM |
| Auto drain | P32KA00DA |
| 5µ particle filter element | P32KA00ESE † |
| L-bracket (fits to body) | P32KA00ML † |
| T-bracket (fits to body connector) | P32KA00MB † |
| T-bracket with body connector | P32KA00MT † |
| Body connector | P32KA00CB † |

† Standard order code shown in bold.