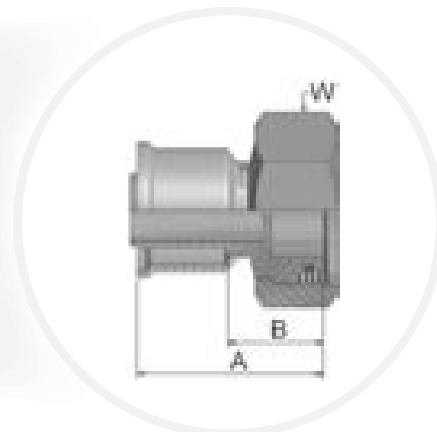
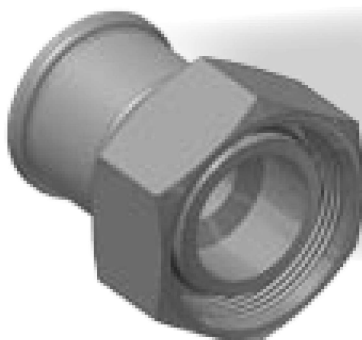


CA – Female Metric 24° – Light Series with O-ring – Swivel – Straight

ISO 12151-2-SWS – DKOL



Approved fitting series for hose types:



XXXX-XX-XX Part Number 26	Hose I.D.			Thread metric	Tube O.D. mm	A mm	B mm	W mm
	Inch	Size	mm					
1CA26-6-4	3/16	-4	5,0	M12x1,5	6	41	20	14
1CA26-8-4	3/16	-4	5,0	M14x1,5	8	41	20	17
1CA26-10-5	1/4	-5	6,3	M16x1,5	10	41	20	19
1CA26-10-6	5/16	-6	8,0	M16x1,5	10	40	20	19
1CA26-12-6	5/16	-6	8,0	M18x1,5	12	40	21	22
1CA26-12-8	13/32	-8	10,0	M18x1,5	12	41	21	22
1CA26-15-8	13/32	-8	10,0	M22x1,5	15	42	21	27
1CA26-18-10	1/2	-10	12,5	M26x1,5	18	46	23	32
1CA26-18-12	5/8	-12	16,0	M26x1,5	18	46	24	32
1CA26-22-12	5/8	-12	16,0	M30x2	22	48	26	36
1CA26-28-16	7/8	-16	22,0	M36x2	28	54	28	41
1CA26-35-16	7/8	-16	22,0	M45x2	35	55	28	50
1CA26-28-20	1-1/8	-20	29,0	M36x2	28	60	34	41
1CA26-35-20	1-1/8	-20	29,0	M45x2	35	56	29	50
1CA26-35-24	1-3/8	-24	35,0	M45x2	35	62	34	50
1CA26-42-24	1-3/8	-24	35,0	M52x2	42	59	31	60

Material: Steel, zinc plated

Hose fittings are delivered with ozone resistant Nitrile (NBR) O-ring as a standard version. Working temperature from -30 °C up to +105 °C. Hose fittings with special O-rings (Viton or EPDM) available on request. For O-ring dimensions and part-numbers see Section Eb.

Information about standard products or non-standard products can be found in the current price list. Dimensions shown may be changed at any time without prior notice.