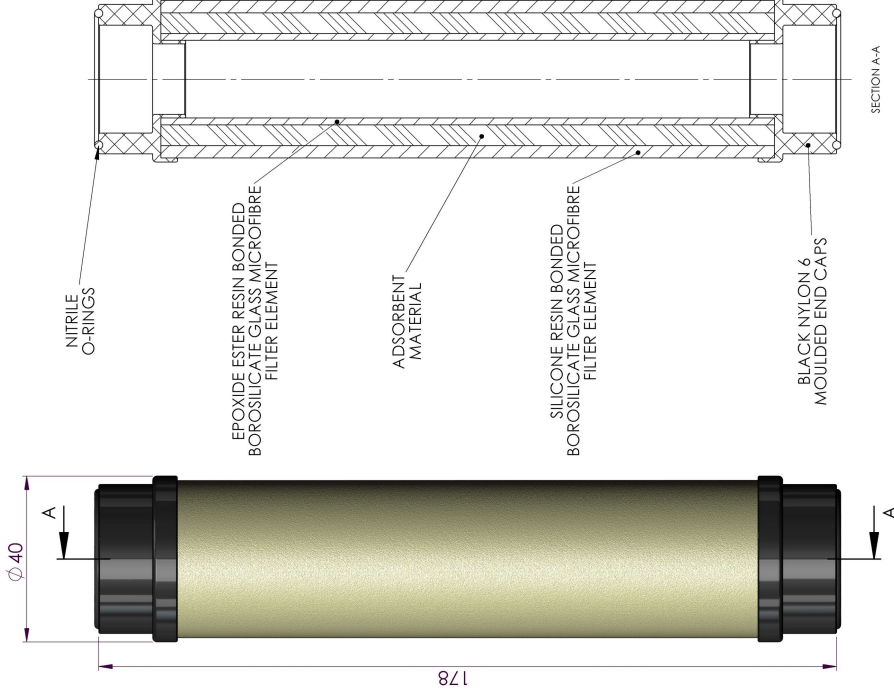


# HF HeadlineFilters

## Filter Element: 25-178-CC

Technical Specification	
<b>Description</b>	Disposable Particulate Filter Element
<b>Materials of Construction</b>	Borosilicate Glass Microfibres bonded with Epoxide Ester resin only Nylon End Caps with Viton Seals
<b>Air Flow Resistance</b>	Less than 2.8KPa at 6 m <sup>3</sup> /min in air at 25°C
<b>Dimensions</b>	I.D. - 26.0mm ± 0.25mm
	O.D. - 40.0mm ± 1.5mm
	Length - 178.0mm ± 0.25mm
<b>Volume</b>	90cc
<b>Maximum Temperature</b>	50°C
<b>Adsorbent</b>	Activated Carbon
<b>Adsorption of</b>	Hydrocarbons and other organic vapours



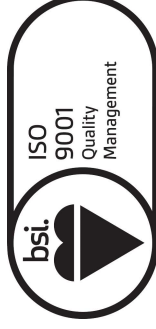
For further specific information please contact our Technical Department  
This is a guide only

Headline Filters Limited Mill Hall Business Estate  
Aylesford  
Kent, ME20 7JZ  
[www.headlinefilters.com](http://www.headlinefilters.com)  
[info@headlinefilters.com](mailto:info@headlinefilters.com)

**DO NOT SCALE DRAWING  
IF IN DOUBT ASK**

## Filter Element: 25-178-CC

**Material:** Borosilicate  
Glass Microfibres  
bonded with Epoxide  
Ester resin only



THE COPYRIGHT OF THIS DRAWING IS RESERVED BY HEADLINE FILTERS. IT IS ISSUED ON CONDITION THAT IT IS NOT COPIED, REPRODUCED OR DISCLOSED TO A THIRD PARTY EITHER WHOLLY, OR IN PART WITHOUT CONSENT IN WRITING.