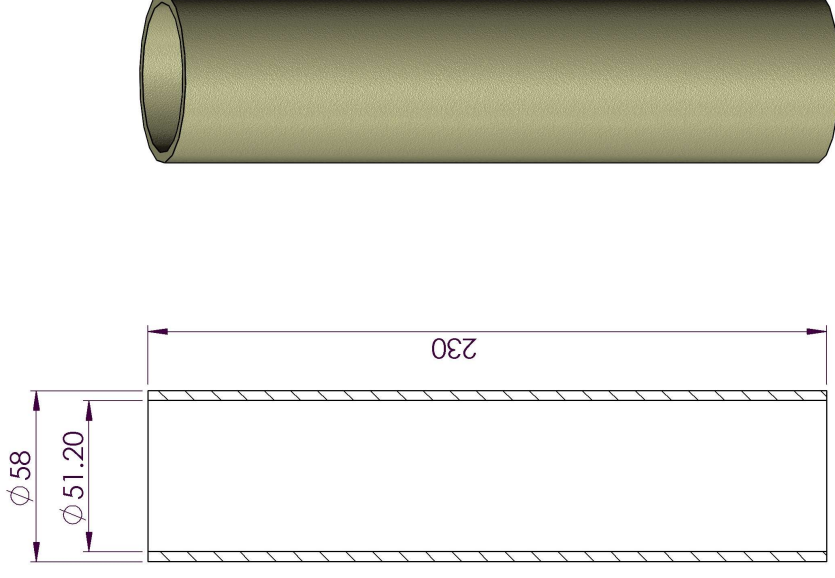



# HF Headline Filters

## Filter Element: 51-230-40K

Technical Specification	
<b>Description</b>	Disposable Particulate Filter Element
<b>Materials of Construction</b>	Borosilicate Glass Microfibres bonded with Kynar fluorocarbon (P.V.D.F.) resin
<b>Filtration Efficiency</b>	Better than 99.9998+% removal of 0.1 micron particles and aerosols
<b>Air Flow Resistance</b>	Less than 6.0KPa at 6 m/min in air at 25°C
<b>Dimensions</b>	I.D. - 51.2mm ± 0.25mm
	O.D. - 58.0mm ± 1.5mm
<b>Strength (dry)</b>	Length - 230.1mm ± 0.25mm
	Burst minimum - 0.8 Bar
<b>Temperature Resistance</b>	Collapse minimum - 1.2 Bar -50°C to +150°C maximum in air
<b>Chemical Resistance</b>	Resistant to all mineral, vegetable And synthetic compressor lubricants. Consult chemical resistance chart for Other gases and liquids.



For further specific information please contact our Technical Department  
This is a guide only

<p>Headline Filters Limited Mill Hall Business Estate Aylesford Kent, ME20 7JZ <a href="http://www.headlinefilters.com">www.headlinefilters.com</a> <a href="mailto:info@headlinefilters.com">info@headlinefilters.com</a></p> <p><b>DO NOT SCALE DRAWING IF IN DOUBT ASK</b></p>	<p><b>Filter Element: 51-230-40K</b></p> <p><b>Material:</b> Borosilicate Glass Microfibres bonded with Kynar fluorocarbon (P.V.D.F.) resin</p> 	<p>THE COPYRIGHT OF THIS DRAWING IS RESERVED BY HEADLINE FILTERS. IT IS ISSUED ON CONDITION THAT IT IS NOT COPIED, REPRODUCED OR DISCLOSED TO A THIRD PARTY EITHER WHOLLY, OR IN PART WITHOUT CONSENT IN WRITING.</p>
---	--	---