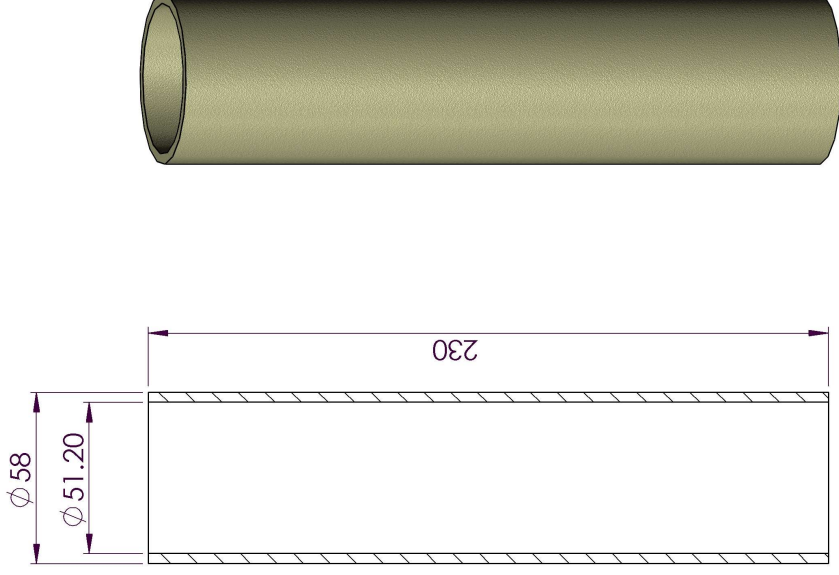


HF Headline Filters

Filter Element: 51-230-50K

Technical Specification	
Description	Disposable Particulate Filter Element
Materials of Construction	Borosilicate Glass Microfibres bonded with Kynar fluorocarbon (P.V.D.F.) resin
Filtration Efficiency	Better than 99.99+% removal of 0.1 micron particles and aerosols
Air Flow Resistance	Less than 2.8KPa at 6 m/min in air at 25°C
Dimensions	I.D. - 51.2mm ± 0.25mm
	O.D. - 58.0mm ± 1.5mm
Strength (dry)	Length - 230.1mm ± 0.25mm
	Burst minimum - 0.8 Bar
Temperature Resistance	Collapse minimum - 1.2 Bar -50°C to +150°C maximum in air
Chemical Resistance	Resistant to all mineral, vegetable And synthetic compressor lubricants. Consult chemical resistance chart for Other gases and liquids.



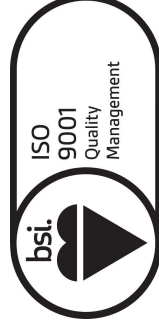
For further specific information please contact our Technical Department
This is a guide only

Headline Filters Limited Mill Hall Business Estate
Aylesford
Kent, ME20 7JZ
www.headlinefilters.com
info@headlinefilters.com

**DO NOT SCALE DRAWING
IF IN DOUBT ASK**

Filter Element: 51-230-50K

Material:
Borosilicate Glass
Microfibres bonded with
Kynar fluorocarbon
(P.V.D.F.) resin



THE COPYRIGHT OF THIS DRAWING IS RESERVED BY HEADLINE FILTERS. IT IS ISSUED ON CONDITION THAT IT IS NOT COPIED, REPRODUCED OR DISCLOSED TO A THIRD PARTY EITHER WHOLLY, OR IN PART WITHOUT CONSENT IN WRITING.