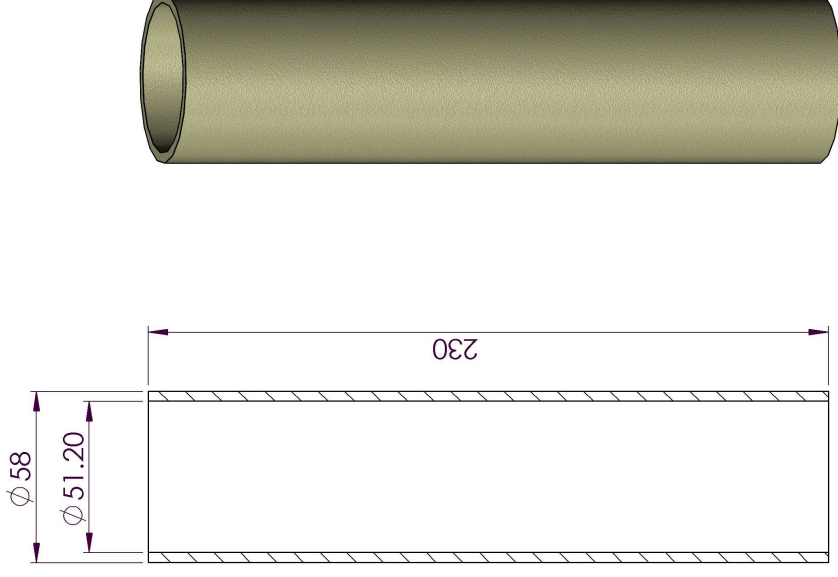


HF Headline Filters

Filter Element: 51-230-60K

Technical Specification	
Description	Disposable Particulate Filter Element
Materials of Construction	Borosilicate Glass Microfibres bonded with Kynar fluorocarbon (P.V.D.F.) resin
Filtration Efficiency	Better than 99.5+% removal of 0.1 micron particles and aerosols
Air Flow Resistance	Less than 1.0kPa at 6 m/min in air at 25°C
Dimensions	I.D. - 51.2mm ± 0.25mm
	O.D. - 58.0mm ± 1.5mm
Strength (dry)	Length - 230.1mm ± 0.25mm
	Burst minimum - 0.8 Bar Collapse minimum - 1.2 Bar
Temperature Resistance	-50°C to +150°C maximum in air
Chemical Resistance	Resistant to all mineral, vegetable and synthetic compressor lubricants. Consult chemical resistance chart for other gases and liquids.



For further specific information please contact our Technical Department
This is a guide only

Headline Filters Limited Mill Hill Business Estate Aylesford Kent, ME20 7JZ www.headlinefilters.com info@headlinefilters.com	Filter Element: 51-230-60K	THE COPYRIGHT OF THIS DRAWING IS RESERVED BY HEADLINE FILTERS. IT IS ISSUED ON CONDITION THAT IT IS NOT COPIED, REPRODUCED OR DISCLOSED TO A THIRD PARTY EITHER WHOLLY, OR IN PART WITHOUT CONSENT IN WRITING.
DO NOT SCALE DRAWING IF IN DOUBT ASK	Material: Borosilicate Glass Microfibres bonded with Kynar fluorocarbon (P.V.D.F.) resin	