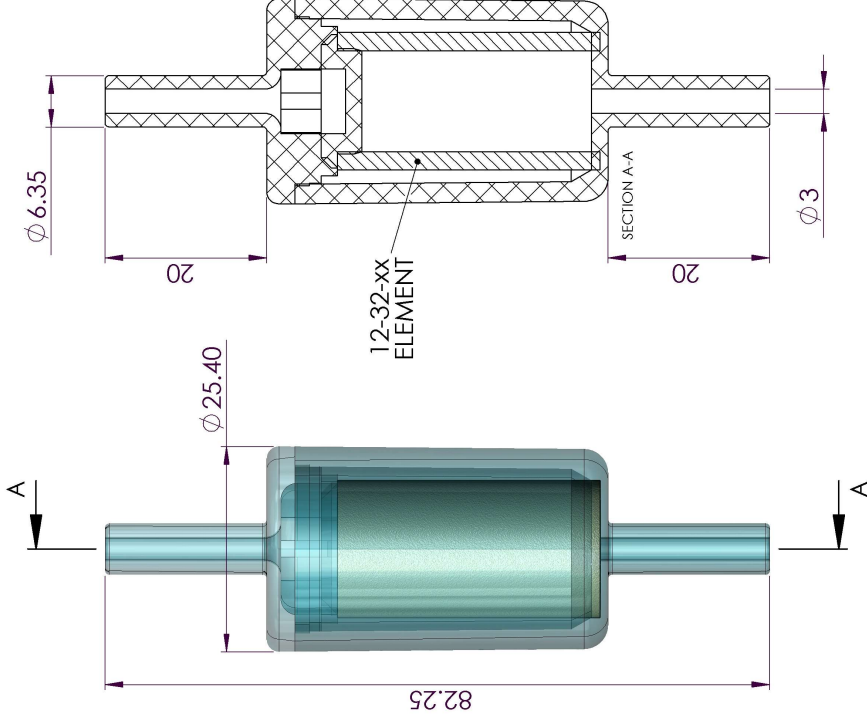


# HF HeadlineFilters

Part Number: DIF-BN60

Technical Specification	
<b>Description</b>	Disposable In-line Filter
<b>Materials of Construction</b>	Nylon with Borosilicate Glass filter element bonded with fluorocarbon
<b>Filtration Efficiency</b>	Better than 99.50+% removal of 0.1 micron particles
<b>Max Pressure Drop</b>	1 Bar
<b>Dimensions</b>	O.D. - 25.40 ± 1.5mm Length - 82.25 ± 0.25mm
<b>Flow Rate-</b>	Air flow Nm <sup>3</sup> /hr at 0.1 Bar pressure drop 0.1Bar 1Bar 2Bar 4Bar 7Bar 10Bar 1.4 2.6 3.9 6.4 10 14
<b>Max Temperature</b>	At 0 Bar pressure 110°C
<b>Max Pressure</b>	At 40°C 7 Bar



For further specific information please contact our Technical Department  
This is a guide only

Headline Filters Limited Mill Hall Business Estate Aylesford Kent, ME20 7JZ <a href="http://www.headlinefilters.com">www.headlinefilters.com</a> <a href="mailto:info@headlinefilters.com">info@headlinefilters.com</a>		<b>Part Number: DIF-BN60</b>	
<b>DO NOT SCALE DRAWING IF IN DOUBT ASK</b>		<b>Material:</b> Nylon with Borosilicate Glass filter element bonded with fluorocarbon	

THE COPYRIGHT OF THIS DRAWING IS RESERVED BY HEADLINE FILTERS. IT IS ISSUED ON CONDITION THAT IT IS NOT COPIED, REPRODUCED OR DISCLOSED TO A THIRD PARTY EITHER WHOLLY, OR IN PART WITHOUT CONSENT IN WRITING.