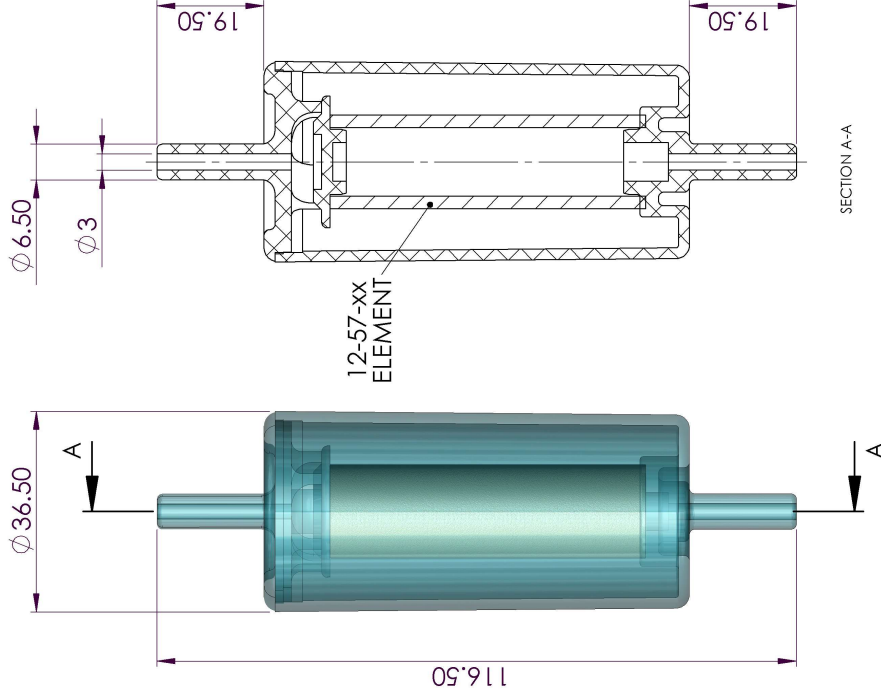



HF Headline Filters

Part Number: DIF-IN40

Technical Specification	
Description	Disposable In-line Filter
Materials of Construction	Nylon housing with Borosilicate Glass filter element bonded with fluorocarbon
Filtration Efficiency	Better than 99.9999+% removal of 0.1 micron particles
Max Pressure Drop	5 Bar
Dimensions	O.D. - 36.50 ± 1.5mm Length - 116.50 ± 0.25mm
Flow Rate-	Air flow Nm ³ /hr at 0.1 Bar pressure drop 0.1Bar 1Bar 2Bar 4Bar 7Bar 10Bar 1.2 2.3 3.4 5.6 9 12
Max Temperature	At 0 Bar pressure 110°C
Max Pressure	At 40°C 8.5 Bar At 0°C 50 Bar



For further specific information please contact our Technical Department
This is a guide only

<p>Headline Filters Limited Mill Hall Business Estate Aylesford Kent, ME20 7JZ www.headlinefilters.com info@headlinefilters.com</p> <p>DO NOT SCALE DRAWING IF IN DOUBT ASK</p>		<p>Part Number: DIF-IN40</p> <p>Material: Nylon housing with Borosilicate Glass filter element bonded with fluorocarbon</p>		<p>bsi.</p>  <p>ISO 9001 Quality Management</p>	
<p>THE COPYRIGHT OF THIS DRAWING IS RESERVED BY HEADLINE FILTERS. IT IS ISSUED ON CONDITION THAT IT IS NOT COPIED, REPRODUCED OR DISCLOSED TO A THIRD PARTY EITHER WHOLLY, OR IN PART WITHOUT CONSENT IN WRITING.</p>					