

HF Headline Filters

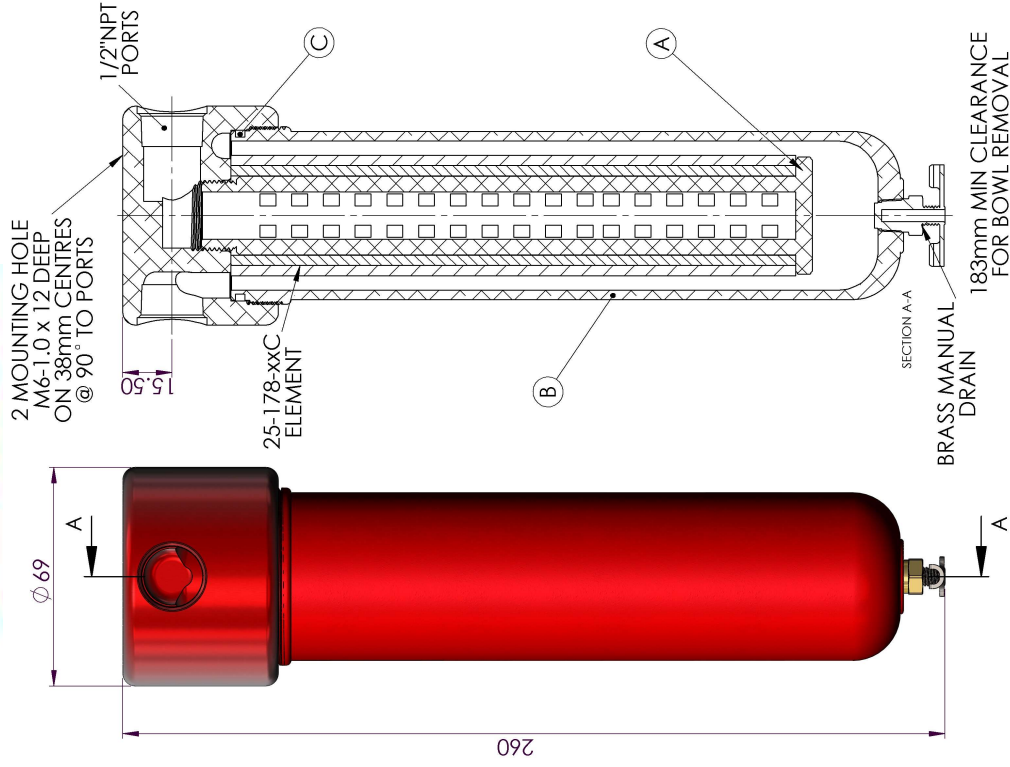
Model: 370A (1/2" NPT)

Replacement Parts List	
25-178-xx	Disposable Filter Element
SS-25-178-xx	Stainless Steel Filter Element
PT-25-178-xx	PTFE Filter Element
TR370	Tie Rod / Element Support (A)
AB370	Aluminum Bowl w/ O-Ring (B)
NB370	Nylon Bowl (Not Pictured)
PB370	Polycarbonate Bowl (Not Pictured)
MB360	Mounting Bracket (Not Pictured)

Oxygen Cleaning Service Available

Note – Please replace “xx” with micron rating or grade

Available O-Rings	
GN360A	Nitrile (Standard) (C)
GV360	Viton
KZ360	Kalrez™
GS360	Silicone



Headline Filters Limited Mill Hill Business Estate
Aylesford

Kent, ME20 7JZ
www.headlinefilters.com
info@headlinefilters.com

**DO NOT SCALE DRAWING
IF IN DOUBT ASK**

Model 370A

Drain Type: Manual Brass Petcock

Maximum Temperature: 120°C

Maximum Pressure: 16 Bar

Internal Volume: 315 cc

Weight: 640g

Drawing No. HF4/3543

Material:
Head: Anodized 6082-T6 Aluminum
Bowl: Anodized 6082-T6 Aluminum

Internals: Nylon
Standard Gasket / O-ring: Nitrile

THE COPYRIGHT OF THIS DRAWING IS RESERVED BY HEADLINE FILTERS. IT IS ISSUED ON CONDITION THAT IT IS NOT COPIED, REPRODUCED OR DISCLOSED TO A THIRD PARTY EITHER WHOLLY, OR IN PART WITHOUT CONSENT IN WRITING.