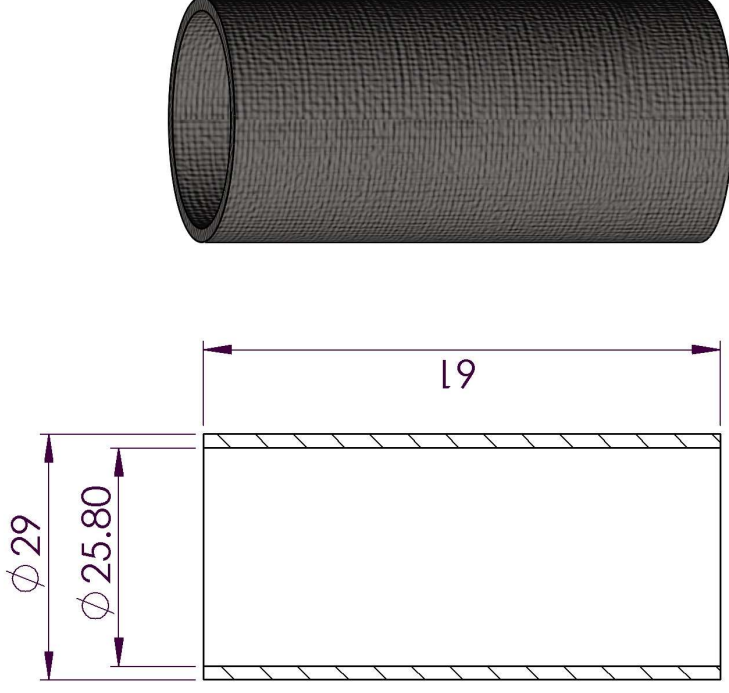


# HF HeadlineFilters

## Filter Element: SS-25-64-10

Technical Specification	
<b>Description</b>	Stainless steel Filter Element
<b>Materials of Construction</b>	316 sintered stainless steel
<b>Filtration Efficiency</b>	10 Micron Nominal
<b>Air Flow Resistance</b>	16 kPa at 6 m/min in air at 25°C
<b>Dimensions</b>	I.D. - 25.80mm ± 0.25mm
	O.D. - 29.00mm ± 1.5mm
	Length - 61.00mm ± 0.25mm
<b>Strength (dry)</b>	Collapse minimum - 175 Bar
<b>Temperature Resistance</b>	-50°C to +480°C maximum in air
<b>Chemical Resistance</b>	Resistant to all mineral, vegetable And synthetic compressor lubricants.
	Consult chemical resistance chart for Other gases and liquids.



For further specific information please contact our Technical Department  
This is a guide only

Headline Filters Limited Mill Hall Business Estate Aylesford Kent, ME20 7JZ <a href="http://www.headlinefilters.com">www.headlinefilters.com</a> <a href="mailto:info@headlinefilters.com">info@headlinefilters.com</a>	<b>Filter Element: SS-25-64-10</b>
<b>DO NOT SCALE DRAWING IF IN DOUBT ASK</b>	<b>Material:</b> 316 sintered stainless steel
THE COPYRIGHT OF THIS DRAWING IS RESERVED BY HEADLINE FILTERS. IT IS ISSUED ON CONDITION THAT IT IS NOT COPIED, REPRODUCED OR DISCLOSED TO A THIRD PARTY EITHER WHOLLY, OR IN PART WITHOUT CONSENT IN WRITING.	