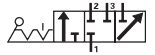

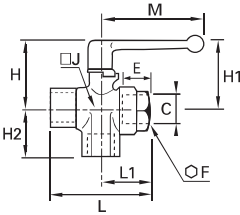

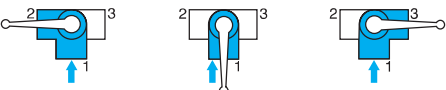


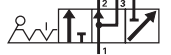
# Universal and Universal Customised Series


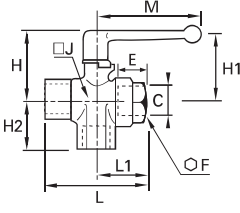

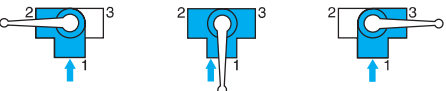
## 0482 3/3 Right-Angle Ported Ball Valve, Female BSPP Thread



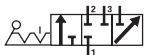
	Nickel-plated brass, NBR 	<b>C</b>	<b>DN</b>		<b>E</b>	<b>F</b>	<b>H</b>	<b>H1</b>	<b>H2</b>	<b>J</b>	<b>L</b>	<b>L1</b>	<b>M</b>	<b>kg</b>
		G1/8	4	<a href="#">0482 04 10</a>	8	14	35	29	18	14	44	25	48	0,103
		G1/4	6	<a href="#">0482 06 13</a>	12	19	38	31	24	22	53	28	48	0,200
		G3/8	9	<a href="#">0482 09 17</a>	12	24	45	43	27	25	59	31	69	0,284
		G1/2	12	<a href="#">0482 12 21</a>	15	27	47	44	33	29	67	34	69	0,346
		G3/4	18	<a href="#">0482 18 27</a>	16,5	38	59	51	40	39	80	39	108	0,742
		G1	23	<a href="#">0482 23 34</a>	19	46	63	55	47	48	94	47	108	1,160
Maximum working pressure: 20 bar 														


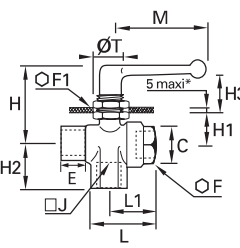

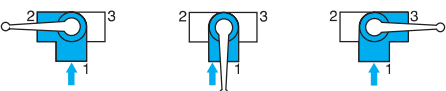
## 0483 3/3 Right-Angle Ported Ball Valve without Closed Position, Female BSPP Thread



	Nickel-plated brass, NBR 	<b>C</b>	<b>DN</b>		<b>E</b>	<b>F</b>	<b>H</b>	<b>H1</b>	<b>H2</b>	<b>J</b>	<b>L</b>	<b>L1</b>	<b>M</b>	<b>kg</b>
		G1/8	4	<a href="#">0483 04 10</a>	8	14	35	29	18	14	44	25	48	0,102
		G1/4	6	<a href="#">0483 06 13</a>	12	19	38	31	24	22	53	28	48	0,196
		G3/8	9	<a href="#">0483 09 17</a>	12	24	45	43	27	25	59	31	69	0,278
		G1/2	12	<a href="#">0483 12 21</a>	15	27	47	44	33	29	67	34	69	0,340
		G3/4	18	<a href="#">0483 18 27</a>	16,5	38	59	51	40	39	80	39	108	0,716
		G1	23	<a href="#">0483 23 34</a>	19	46	63	55	47	48	94	47	108	1,066
Maximum working pressure: 20 bar 														


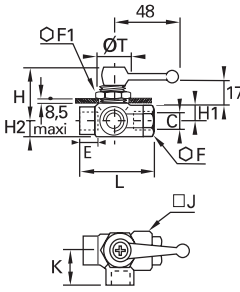

## 0448 3/2 Panel-Mountable Right-Angled Ball Valve, Female BSPP Thread



	Nickel-plated brass, NBR 	<b>C</b>	<b>DN</b>		<b>E</b>	<b>F</b>	<b>F1</b>	<b>H</b>	<b>H1</b>	<b>H2</b>	<b>H3</b>	<b>J</b>	<b>L</b>	<b>L1</b>	<b>M</b>	<b>ØT</b>	<b>kg</b>
		G1/8	4	<a href="#">0448 04 10</a>	8	14	22	37	14	18	12	14	44	25	48	16,5	0,126
		G1/4	6	<a href="#">0448 06 13</a>	12	19	24	45	19	24	14	22	53	28	48	20,5	0,230
		G3/8	9	<a href="#">0448 09 17</a>	12	24	27	50	21	27	21	25	59	31	69	20,5	0,328
		G1/2	12	<a href="#">0448 12 21</a>	15	27	27	51	23	33	21	29	67	34	69	20,5	0,392
		Maximum working pressure: 20 bar *For G1/8 version: maximum panel thickness = 3 mm 															

## 0452 3/2 Panel-Mountable Equal Plane Ball Valve, Female BSPP Thread



	Nickel-plated brass, NBR 	<b>C</b>	<b>DN</b>		<b>E</b>	<b>F</b>	<b>F1</b>	<b>H</b>	<b>H1</b>	<b>H2</b>	<b>J</b>	<b>K</b>	<b>L</b>	<b>ØT</b>	<b>kg</b>
		G1/8	4	<a href="#">0452 04 10</a>	8	14	22	39	10	8	16	18	25	19	0,130
		G1/4	6	<a href="#">0452 06 13</a>	12	19	24	40	11	11	23	24	28	20	0,206
Maximum working pressure: 20 bar 