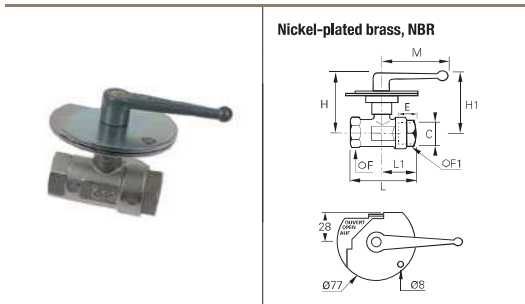


Universal Series, Lockable

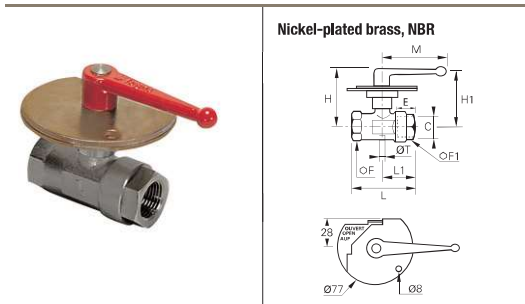
0432 2/2 In-Line Lockable Ball Valve, Female BSPP Thread



C	DN		E	F	F1	H	H1	L	L1	M	kg
G1/8	4	0432 04 10	8	19	19	59	54	51	27	69	0.415
G1/4	7	0432 07 13	12	19	19	59	54	59	28	69	0.396
G3/8	10	0432 10 17	12	24	24	60	55	59	31	69	0.460
G1/2	13	0432 13 21	15	27	27	62	57	67	34	69	0.522
G3/4	20	0432 20 27	16.5	32	38	66	56	80	39	108	0.800
G1	23	0432 23 34	19	41	46	70	59	94	47	108	1.186

Maximum working pressure: 40 bar
 Handle is not removable.
 Fixed and mobile plates: zinc-plated steel.

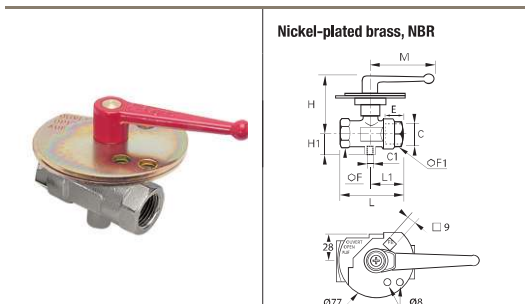
0439 3/2 In-line Vented Lockable Ball Valve, Female BSPP Thread



C	DN		E	F	F1	H	H1	L	L1	M	ØT	kg
G1/8	4	0439 04 10	8	19	19	59	54	51	27	69	2	0.410
G1/4	7	0439 07 13	12	19	24	60	55	59	31	69	2	0.480
G3/8	10	0439 10 17	12	24	24	60	55	59	31	69	2	0.460
G1/2	13	0439 13 21	15	27	27	62	57	67	34	69	2	0.514
G3/4	18	0439 18 27	16.5	32	38	66	56	80	39	108	2.5	0.810
G1	23	0439 23 34	19	41	46	70	59	94	47	108	3	1.185

Maximum working pressure: 40 bar
 Handle is not removable.
 Fixed and mobile plates: zinc-plated steel.

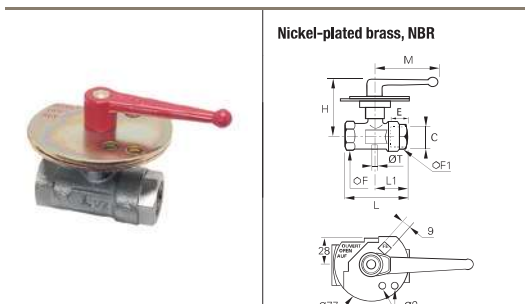
0436 3/2 In-Line Lockable Ball Valve with Threaded Exhaust Port, Female BSPP and Metric Thread



C	C1	DN		E	F	F1	H	H1	L	L1	M	kg
G3/8	M5x0.8	10	0436 10 17	12	24	24	60	17	60	32	69	0.475
G1/2	G1/8	13	0436 13 21	15	27	27	60	24.5	67.5	34.5	69	0.500
G3/4	G1/4	18	0436 18 27	16.5	32	38	69.5	33	80	39.5	108	0.850
G1	G1/4	23	0436 23 34	19	32	38	69.5	33	80	39.5	108	1.215

Maximum working pressure: 40 bar
 Handle is not removable.
 Fixed and mobile plates: zinc-plated steel.

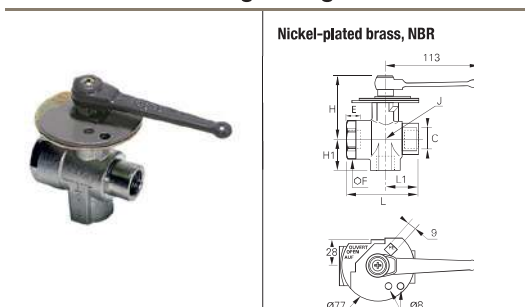
0437 3/2 In-line Vented 3-Point Lockable Ball Valve, Female BSPP Thread



C	DN		E	F	F1	H	L	L1	M	ØT	kg
G1/4	7	0437 07 13	12	24	24	60	59	32	69.5	2	0.476
G3/8	10	0437 10 17	12	24	24	60	60	32	69.5	2	0.456
G1/2	13	0437 13 21	15	27	27	60	67.5	34.5	69.5	2	0.510
G3/4	18	0437 18 27	16.5	32	38	69.5	80	39.5	108.5	2.5	0.820
G1	23	0437 23 34	19	41	46	73	94.5	47.5	108.5	3	1.192

Maximum working pressure: 40 bar
 Handle is not removable.
 Fixed and mobile plates: zinc-plated steel.

0438 3/2 Right-Angled 3-Point Lockable Ball Valve, Female BSPP Thread



C	DN		E	F	H	H1	J	L	L1	kg
G3/8	9	0438 09 17	12	38	76	34	39	73	35	0.970
G1/2	12	0438 12 21	15	38	76	37	39	78	38	0.947
G3/4	18	0438 18 27	16.5	38	76	40	39	80	40	0.905
G1	23	0438 23 34	19	46	80	47	48	94	47	1.295

Maximum working pressure: 20 bar
 Fixed plate: zinc-plated steel, mobile plate: steel, grey epoxy-coated.
 Removable handle: where the handle is obstructed in its movement, it can be refitted opposite the original position.