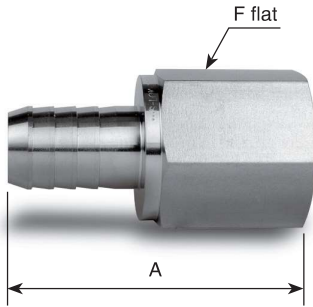
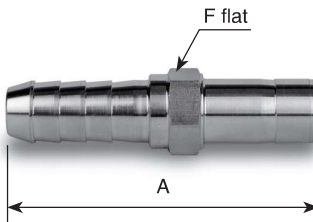


Female Connectors



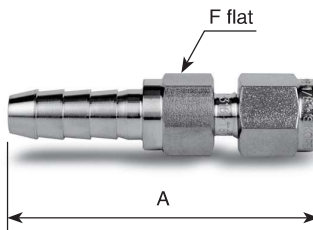
Ordering Number	End Connections		Dimensions, in. (mm)		
	Nominal Hose I.D	Female NPT	H Hex flat	A Length	Diameter
SHAF-2-2N	1/8	1/8	9/16 (14.2)	1.11 (28.2)	0.08 (2.0)
SHAF-2-4N	1/8	1/4	3/4 (19.0)	1.26 (32.0)	0.08 (2.0)
SHAF-3-2N	3/16	1/8	9/16 (14.2)	1.29 (32.8)	0.12 (3.0)
SHAF-3-4N	3/16	1/4	3/4 (19.0)	1.44 (36.6)	0.12 (3.0)
SHAF-4-2N	1/4	1/8	9/16 (14.2)	1.47 (37.3)	0.19 (4.8)
SHAF-4-4N	1/4	1/4	3/4 (19.0)	1.64 (41.7)	0.19 (4.8)
SHAF-4-6N	1/4	3/8	7/8 (22.2)	1.71 (43.4)	0.19 (4.8)
SHAF-5-4N	5/16	1/4	3/4 (19.0)	1.73 (43.9)	0.19 (4.8)
SHAF-5-6N	5/16	3/8	7/8 (22.2)	1.82 (46.2)	0.19 (4.8)
SHAF-6-4N	3/8	1/4	3/4 (19.0)	1.69 (42.9)	0.30 (7.6)
SHAF-6-6N	3/8	3/8	7/8 (22.2)	1.78 (45.2)	0.30 (7.6)
SHAF-6-8N	3/8	1/2	1-1/16 (26.9)	2.03 (51.6)	0.30 (7.6)
SHAF-8-8N	1/2	1/2	1-1/16 (26.9)	2.13 (54.1)	0.38 (9.7)
SHAF-8-8N	1/2	1/2	1-1/16 (26.9)	2.13 (54.1)	0.38 (9.7)

S-LOK Tube Adapters



Ordering Number	End Connections		Dimensions, in. (mm)		
	Nominal Hose I.D	Female NPT	H Hex flat	A Length	Min. Inside Diameter
SHAT-2-2T	1/8	1/8	5/16 (7.9)	1.36 (34.5)	0.08 (2.0)
SHAT-2-4T	1/8	1/4	3/8 (9.5)	1.45 (36.8)	0.08 (2.0)
SHAT-4-4T	1/4	1/4	7/16 (11.1)	1.85 (47.0)	0.19 (4.8)
SHAT-4-6T	1/4	3/8	7/16 (11.1)	1.91 (48.5)	0.19 (4.8)
SHAT-5-4T	5/16	1/4	7/16 (11.1)	1.93 (49.0)	0.19 (4.8)
SHAT-6-4T	3/8	1/4	9/16 (14.2)	1.93 (49.0)	0.17 (4.3)
SHAT-6-6T	3/8	3/8	9/16 (14.2)	1.99 (50.5)	0.27 (6.9)
SHAT-6-8T	3/8	1/2	5/8 (15.8)	2.25 (57.2)	0.30 (7.6)
SHAT-8-6T	1/2	3/8	11/16 (17.4)	2.06 (52.3)	0.27 (6.9)
SHAT-8-8T	1/2	1/2	11/16 (17.4)	2.32 (58.9)	0.38 (9.7)
SHAT-12-12T	3/4	3/4	1-3/16 (30.1)	2.49 (63.3)	0.58 (14.7)
SHAT-16-16T	1	1	1-3/8 (34.9)	3.05 (77.5)	0.80 (20.3)

S-LOK Tube Fitting Connectors



Ordering Number	End Connections		Dimensions, in. (mm)		
	Nominal Hose I.D	Female NPT	H Hex flat	A Length	Min. Inside Diameter
SHAS-2-2T	1/8	1/8	7/16 (11.1)	1.42 (36.1)	0.08 (2.0)
SHAS-4-2T	1/4	1/8	7/16 (11.1)	1.81 (46.0)	0.09 (2.3)
SHAS-4-4T	1/4	1/4	9/16 (14.2)	1.92 (48.8)	0.19 (4.8)
SHAS-6-4T	3/8	1/4	9/16 (14.2)	1.99 (50.6)	0.19 (4.8)
SHAS-6-6T	3/8	3/8	3/4 (19.0)	2.06 (52.3)	0.28 (7.1)
SHAS-8-8T	1/2	1/2	7/8 (22.2)	2.24 (56.9)	0.38 (9.7)