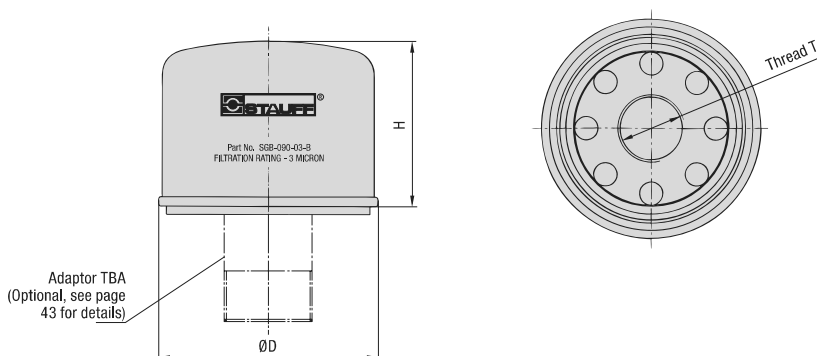


## Giant Air Breather Type SGB



### Characteristics

Originally designed to be used as replaceable air filter elements for STAUFF Desiccant Breathers, they can also be used as separate air filters for hydraulic reservoirs

#### Features

- Diameter of Ø68 mm / Ø2.68 in (SGB-060), Ø100 mm / Ø3.94 in (SGB-090) or Ø130 mm / Ø5.12 in (SGB-120)
- Equipped with female BSP thread (ISO 228)
- Including sealing made of NBR (Buna-N®)
- Operating temperature range: -32 °C ... +100 °C / -25 °F ... +212 °F

#### Accessories / Options

- Adaptors (for direct installation on top of hydraulic reservoirs)

Please see page 43 for a selection of adaptors available, and contact STAUFF for further information.

#### Air Flow

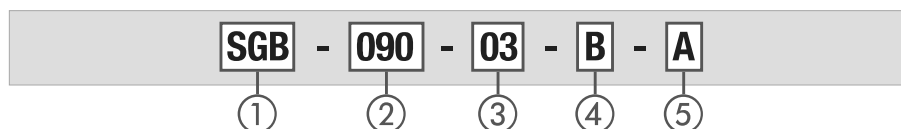
- Maximum air flow rates:  
0,05 m³/min / 1.77 cfm for SGB-060,  
0,70 m³/min / 24.71 cfm for SGB-090, and  
1,50 m³/min / 52.97 cfm for SGB-120

### Dimensions and Filter Specifications

Type	Thread T*	Dimensions (mm/in)		Filter Material	Micron Rating	Filter Surface	Max. Air Flow Rate
		ØD	H				
SGB-060-03-B	Female M20 x 1,5 (ISO 13-2)	68	60	Synthetic Fibre	3 µm	415 cm²	0,05 m³/min
		2.68	2.36			63 in²	1.77 cfm
SGB-090-03-B	Female G3/4 BSP (ISO 228)	100	64	Synthetic Fibre	3 µm	752 cm²	0,70 m³/min
		3.94	2.52			115 in²	24.71 cfm
SGB-120-03-B	Female G1-1/4 BSP (ISO 228)	130	100	Synthetic Fibre	3 µm	2095 cm²	1,50 m³/min
		5.12	3.94			320 in²	52.97 cfm

\* Use adaptors TBA to change female BSP thread into male BSP or male NPT thread. Please see page 43 for details.

### Order Codes



#### ① Type

Giant Air Breather **SGB**

#### ② Size

Diameter of Ø68 mm (Ø2.68 in) **060**  
 Diameter of Ø100 mm (Ø3.94 in) **090**  
 Diameter of Ø130 mm (Ø5.12 in) **120**

#### ③ Filter Material / Micron Rating

3 µm Synthetic Fibre **03**

Contact STAUFF for alternative materials / micron ratings.

#### ④ Connection Thread

Female BSP thread (according to dimension table) **B**

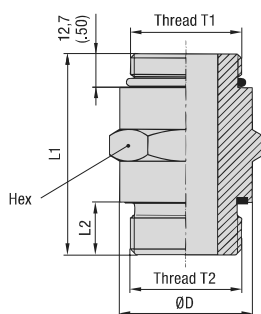
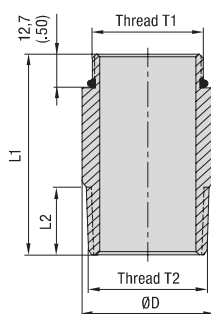
#### ⑤ Adaptor Option

Without adaptor **-**  
 With adaptor TBA-075-B (for SGB-090-03-B) or TBA-125-B (for SGB-120-03-B) **A**

Option A is only available for type SGB-090 and SGB-120.

If required, Giant Air Breathers SGB can also be supplied in combination with a wide range of further adaptors. Please see page 43 for a selection of adaptors available, and contact STAUFF for further information.



**Breather Adaptor  
Type TBA**

**TBA-038-B  
TBA-075-B  
TBA-125-B**

**TBA-075  
TBA-120  
TBA-125**

**Order Codes and Dimensions**

Thread T1	Thread T2	Dimensions (mm/in)				For Use with ...*	Order Code
		L1	L2	ØD	Hex		
Male G3/8 BSP (ISO 228)	Male G3/8 BSP (ISO 228)	43	11	21,9	22	Desiccant Air Breathers SDB-061-CV	TBA-038-B06-B06-B
		1,69	.43	.86	.86		
Male 1-12 UNF (ANSI B1.1)	Male 3/4 NPT (ANSI B1.20.1)	51	20	27	Spin-On Series SF-65	TBA-075-U16-N12-B	
		2,00	.79	1,05			
Male G3/4 BSP (ISO 228)	Male G3/4 BSP (ISO 228)	57	16	32	32	Giant Air Breathers SGB-090 Desiccant Air Breathers SVDB-093, SVDB-096 Spin-On Series SF-35 Spin-On Series SF-36	TBA-075-B12-B12-B
		2,24	.63	1,26			
Male G1-1/4 BSP (ISO 228)	Male 1-1/4 NPT (ANSI B1.20.1)	76	22	42	Giant Air Breathers SGB-120 Spin-On Series SF-57 Spin-On Series SF-58	TBA-120-B20-N20-B	
		3,00	.88	1,65			
Male 1-1/2-16 UN (ANSI B1.1)	Male 1-1/4 NPT (ANSI B1.20.1)	76	26	45	Spin-On Series SF-67	TBA-125-U24-N20-B	
		3,00	1,01	1,77			
Male G1-1/4 BSP (ISO 228)	Male G1-1/4 BSP (ISO 228)	76	20	50	50	Giant Air Breathers SGB-120 Spin-On Series SF-57 Spin-On Series SF-58	TBA-125-B20-B20-B
		3,00	.79	1,97			

\* Please see Filtration Technology Catalogue for technical details on Spin-On filter elements.

**Characteristics**

**Converts from female threaded Giant Air Breather or Spin-On Filter Element to a male thread, and thus allows for direct installation on top of hydraulic reservoirs**

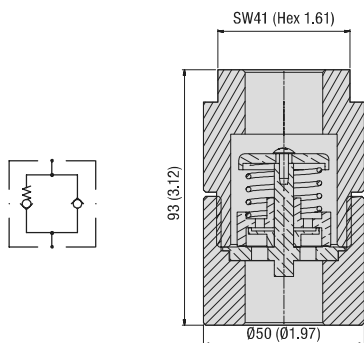
**Features**

- Several thread combinations available to suit most common Spin-On filter elements
- Versions with male BSP threads on both ends are equipped with hex to simplify installation
- Sealings included in delivery

**Materials**

- Adaptor made of Steel, zinc-plated
- Sealings made of NBR (Buna-N®)

Contact STAUFF for alternative materials.

**Pressurised Breather Adaptor  
Type TBA-075-B12F-B12F-B0.35**

**Characteristics**

**Increasing the service life and reducing maintenance intervals of tank filler breathers and desiccant breathers due to less breathing**

**Features**

- Connections: Female G3/4 BSP threads (ISO 228)
- Pressurisation of 0,35 bar / 5 PSI (no air is expelled from the reservoir until the pressurisation level is reached)
- Suitable for use with various types of Desiccant Air Breathers including SDB-096/2, SDB-093/2, SVDB-096, SVDB-093 and SDB-096-CV as well as Tank Filler Breathers including SPB-2, SPB-3 and SMT-80

**Materials**

- Housing made of Aluminium



Dimensional drawings: All dimensions in mm (in).

