

**Air Preparation Products**  
**Prep-Air® II Products**

**Particulate Filters**

05F Economy	E2-E3
06F Compact	E4-E6
07F Standard	E7-E8

**Coalescing Filters**

15F Economy	E9-E10
11F Compact	E11-E12
12F Standard	E13-E14

**Regulators**

05R Economy	E15-E16
06R Compact	E17-E18
07R Standard	E19-E20

**Pilot Controlled Regulators**

11R Economy	E21-E22
12R Standard	E23-E24

**Filter / Regulators**

05E Economy	E25-E26
06E Compact	E27-E29
07E Standard	E30-E32
12E Coalescing	E33-E34

**Lubricators**

15L Economy, Micro-Mist	E35-E36
16L Compact, Micro-Mist	E37-E38
17L Standard, Micro-Mist	E39-E40
06L Compact, Mist	E41-E42
07L Standard, Mist	E43-E44

**Combinations**

06 Compact & 07 Standard, Close Nipped	E45-E46
06 Compact & 07 Standard, Modular	E47-E48
Accessories	E49-E50

**Accessories**

Mounting Bracket Kits	E51
-----------------------	-----

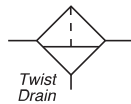
Prep-Air® II  
Products



**Economy Particulate Filters**

**05F Particulate Filters – Economy**

- Excellent water removal efficiency
- Unique deflector plate and shroud creates a swirling of the air stream ensuring maximum water and dirt separation
- Large filter element surface guarantees low pressure drop and increased element life
- 40 micron filter element standard
- Shown with recommended metal bowl guard
- 1/4" & 3/8" ports (NPT)



**Operating information**

Supply pressure (max):		
Plastic bowl		0 to 150 psig (0 to 10.3 bar)
Auto pulse drain		10 to 150 psig (0.7 to 10.3 bar)
Operating temperature:		
Plastic bowl		32°F to 125°F (0°C to 52°C)
Flow capacity†:		
High flow	1/4"	54 scfm (25.5 dm³/s, ANR)
	3/8"	70 scfm (33 dm³/s, ANR)
Bowl capacity:		2.0 oz.
Sump capacity:		0.9 oz.
Weight:		1.2 lb (0.54 kg)

† scfm = Standard cubic feet per minute at 90 psig inlet and 5 psig pressure drop.

**Ordering Information:**

Port Size	Description ‡	Part Number
1/4"	Poly Bowl, Metal Bowl Guard, Twist Drain, 40 Micron	<b>05F12AA</b>
3/8"	Poly Bowl, Metal Bowl Guard, Twist Drain, 40 Micron	<b>05F22AA</b>

‡ For polycarbonate bowl and sight dome, see caution in Engineering Section A.

 Most popular.

Prep-Air® II  
 Products



Filters

Coalescers

Regulators

Filter/  
 Regulators

Lubricators

Combinations

Accessories



For inventory, lead times, and kit lookup, visit [www.pdnplu.com](http://www.pdnplu.com)

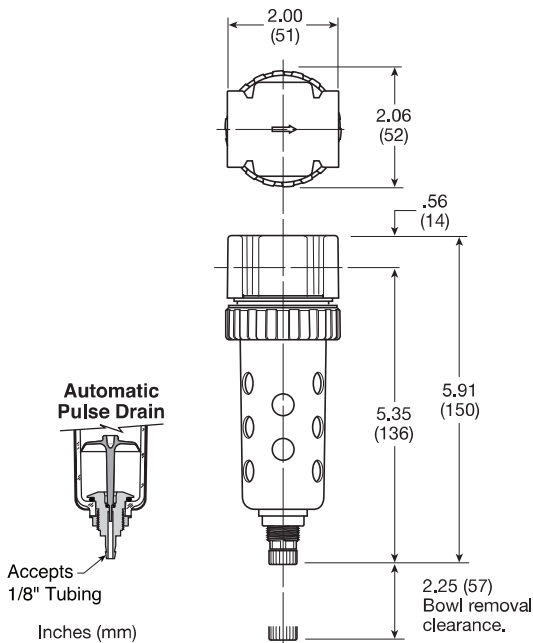
**Economy Particulate Filters**

**Material Specifications**

Body	Zinc
Transparent bowl	Polycarbonate
Bowl guards	Steel
Collar	Plastic
Deflector, shroud & baffle	Plastic
Drain	Plastic
Element	Plastic
Adsorber (optional)	Activated charcoal
Seals	Nitrile
Sight gauge	Polyamide (nylon)

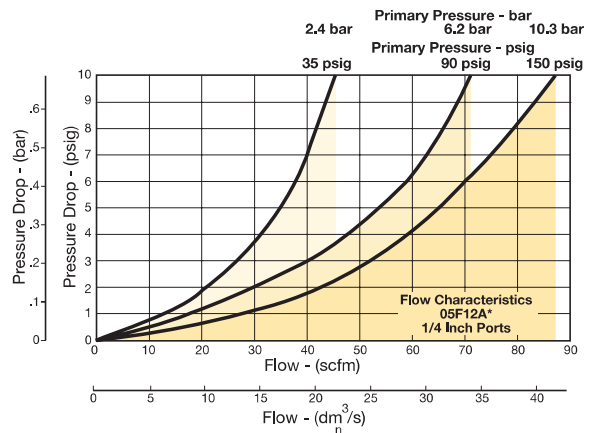
**Repair and Service Kits**

Bowl guard kit	<b>PS905P</b>
Poly bowl / auto pulse drain	<b>PS995P</b>
Poly bowl / twist drain	<b>PS932P</b>
Auto pulse drain	<b>PS998P</b>
Twist drain	<b>PS512P</b>
40 micron element	<b>PS901P</b>
Adsorber	<b>PS931P</b>
Mounting bracket kit	<b>PS943P</b>
Sight gauge kit	<b>PS914P</b>

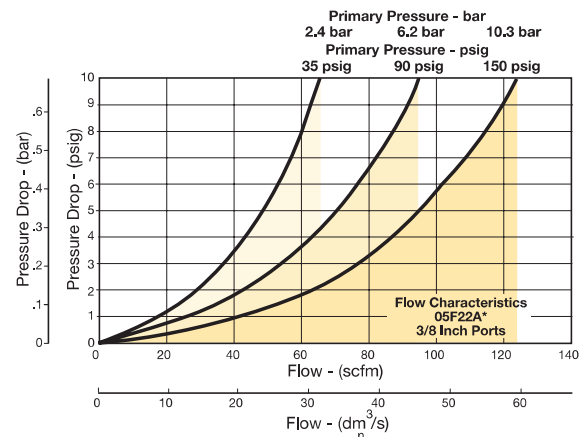


**Flow Charts**

**05F 1/4" Particulate Filter**



**05F 3/8" Particulate Filter**



Prep-Air® II  
Products



Filters

Coalescers

Regulators

Filter /  
Regulators

Lubricators

Combinations

Accessories

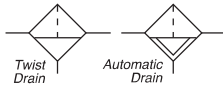


For inventory, lead times, and kit lookup, visit [www.pdnplu.com](http://www.pdnplu.com)

**Compact Particulate Filters**

**06F Particulate Filters – Compact**

- Excellent water removal efficiency
- Unique deflector plate and shroud creates a swirling of the air stream ensuring maximum water and dirt separation
- Large filter element surface guarantees low pressure drop and increased element life
- Optional automatic float drain available
- Shown with recommended metal bowl guard
- 1/4", 3/8", 1/2" ports – NPT



**Operating information**

Supply pressure (max):		
Without DPI		
Plastic bowl		0 to 150 psig (0 to 10.3 bar)
Metal bowl		0 to 250 psig (0 to 17.2 bar)
With DPI		
Auto float drain		15 to 250 psig (1.0 to 17.2 bar)
Operating temperature:		
Plastic bowl		32°F to 125°F (0°C to 52°C)
Metal bowl		32°F to 175°F (0°C to 80°C)
With DPI		32°F to 125°F (0°C to 52°C)
Flow capacity†:		
High flow	1/4"	53 scfm (25 dm³/s, ANR)
	3/8"	80 scfm (37.8 dm³/s, ANR)
	1/2"	85 scfm (40.1 dm³/s, ANR)
Bowl capacity:		4.4 oz.
Sump capacity:		1.75 oz.
Weight:		1.4 lb (0.6 kg)
† scfm = Standard cubic feet per minute at 90 psig inlet and 5 psig pressure drop.		
DPI = Differential pressure indicator		

**Ordering Information:**

Port Size	Description †	Part Number
1/4"	Poly Bowl, Metal Bowl Guard, Twist Drain, 40 Micron	<b>06F12AC</b>
1/4"	Poly Bowl, Metal Bowl Guard, Twist Drain, 5 Micron	<b>06F12BC</b>
1/4"	Metal Bowl, Twist Drain, 40 Micron	<b>06F13AC</b>
1/4"	Metal Bowl, Sight Gauge, Twist Drain, 40 Micron	<b>06F14AC</b>
1/4"	Poly Bowl, Metal Bowl Guard, Auto Float Drain, 40 Micron	<b>06F16AC</b>
1/4"	Poly Bowl, Metal Bowl Guard, Auto Float Drain, 5 Micron	<b>06F16BC</b>
1/4"	Metal Bowl, Auto Float Drain, 40 Micron	<b>06F17AC</b>
1/4"	Metal Bowl, Auto Float Drain, 5 Micron	<b>06F17BC</b>
1/4"	Metal Bowl, Sight Gauge, Auto Float Drain, 40 Micron	<b>06F18AC</b>
1/4"	Metal Bowl, Sight Gauge, Auto Float Drain, 5 Micron	<b>06F18BC</b>
3/8"	Poly Bowl, Metal Bowl Guard, Twist Drain, 40 Micron	<b>06F22AC</b>
3/8"	Poly Bowl, Metal Bowl Guard, Twist Drain, 5 Micron	<b>06F22BC</b>

*Continued on next page*

Prep-Air® II  
Products



Filters

Coalescers

Regulators

Filter /  
Regulators

Lubricators

Combinations

Accessories



For inventory, lead times, and kit lookup, visit [www.pdnplu.com](http://www.pdnplu.com)

**Ordering Information cont.:**

Port Size	Description ‡	Part Number
3/8"	Metal Bowl, Sight Gauge, Twist Drain, 5 Micron	<b>06F24BC</b>
3/8"	Poly Bowl, Metal Bowl Guard, Auto Float Drain, 40 Micron	<b>06F26AC</b>
3/8"	Poly Bowl, Metal Bowl Guard, Auto Float Drain, 5 Micron	<b>06F26BC</b>
3/8"	Metal Bowl, Auto Float Drain, 5 Micron	<b>06F27BC</b>
3/8"	Metal Bowl, Sight Gauge, Auto Float Drain, 5 Micron	<b>06F28BC</b>
1/2"	Poly Bowl, Metal Bowl Guard, Twist Drain, 40 Micron	<b>06F32AC</b>
1/2"	Poly Bowl, Metal Bowl Guard, Twist Drain, 5 Micron	<b>06F32BC</b>
1/2"	Metal Bowl, Twist Drain, 40 Micron	<b>06F33AC</b>
1/2"	Metal Bowl, Sight Gauge, Twist Drain, 40 Micron	<b>06F34AC</b>
1/2"	Metal Bowl, Sight Gauge, Twist Drain, 5 Micron	<b>06F34BC</b>
1/2"	Poly Bowl, Metal Bowl Guard, Auto Float Drain, 40 Micron	<b>06F36AC</b>
1/2"	Poly Bowl, Metal Bowl Guard, Auto Float Drain, 5 Micron	<b>06F36BC</b>
1/2"	Metal Bowl, Sight Gauge, Auto Float Drain, 40 Micron	<b>06F38AC</b>
1/2"	Metal Bowl, Sight Gauge, Auto Float Drain, 5 Micron	<b>06F38BC</b>
G3/8	Poly Bowl, Metal Bowl Guard, Twist Drain, 40 Micron	<b>06F22AC1</b>
G1/2"	Poly Bowl, Metal Bowl Guard, Twist Drain, 5 Micron	<b>06F32BC1</b>
G1/2"	Metal Bowl, Sight Gauge, Twist Drain, 5 Micron	<b>06F34BC1</b>

‡ For polycarbonate bowl and sight dome, see caution in Engineering Section A.

 Most popular.



For inventory, lead times, and kit lookup, visit [www.pdnplu.com](http://www.pdnplu.com)

Prep-Air® II  
 Products



Filters

Coalescers

Regulators

Filter /  
 Regulators

Lubricators

Combinations

Accessories

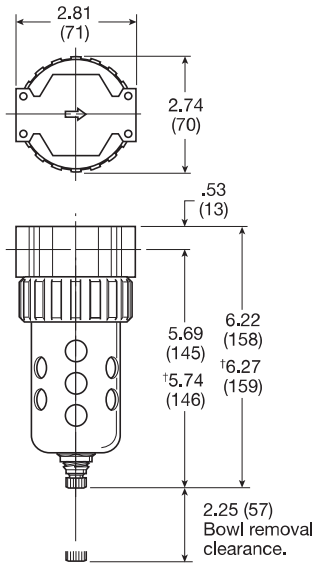
## Compact Particulate Filters

### Material Specifications

Body	Zinc
Transparent bowl	Polycarbonate
Metal bowl with or without sight gauge	Zinc
Bowl Guards	Steel
Collar	Plastic
Deflector, shroud & baffle	Plastic
Twist drain - body & nut	Plastic
Auto float drain - housing, float	Plastic
Auto float drain - seals	Nitrile
Auto float drain - springs, push rod	Stainless steel
Element	Plastic
Adsorber (optional)	Activated charcoal
Seals	Nitrile
Sight gauge	Polyamide

### Repair and Service Kits

Bowl guard kit	<b>PS705P</b>
Poly bowl / auto float drain kit	<b>PS722P</b>
Poly bowl / twist drain kit	<b>PS732P</b>
Metal bowl / auto float drain kit	<b>PS726P</b>
Metal bowl / twist drain kit	<b>PS734P</b>
Metal bowl / sight gauge / auto float drain kit	<b>PS723P</b>
Metal bowl / sight gauge / twist drain kit	<b>PS735P</b>
Auto float drain kit	<b>PS506P</b>
Twist drain kit	<b>PS512P</b>
40 micron element	<b>PS701P</b>
5 micron element	<b>PS702P</b>
Adsorber element	<b>PS731P</b>
Mounting bracket kit	<b>PS743P</b>
Sight gauge kit	<b>PS914P</b>

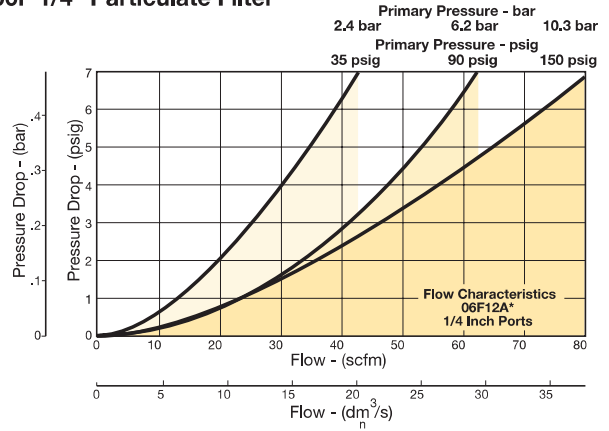


† With auto float drain  
Inches (mm)

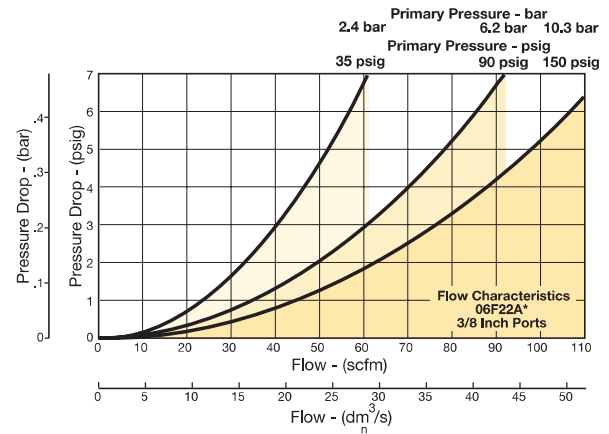
## Air Preparation Products Prep-Air® II Series

### Flow Charts

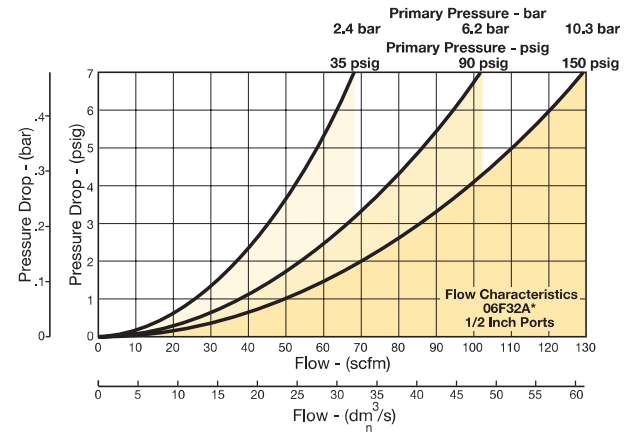
#### 06F 1/4" Particulate Filter



#### 06F 3/8" Particulate Filter



#### 06F 1/2" Particulate Filter

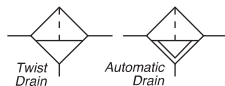


For inventory, lead times, and kit lookup, visit [www.pdnplu.com](http://www.pdnplu.com)

**Standard Particulate Filters**

**07F Particulate Filters – Standard**

- Excellent water removal efficiency
- Unique deflector plate and shroud creates a swirling of the air stream ensuring maximum water and dirt separation
- Large filter element surface guarantees low pressure drop and increased element life
- Optional automatic float drain available
- Shown with recommended metal bowl guard
- 1/2", 3/4" ports – NPT



Prep-Air® II  
 Products



Filters

Coalescers

Regulators

Filter /  
 Regulators

Lubricators

Combinations

Accessories

Operating information		
Supply pressure (max):		
Without DPI		
Plastic bowl		0 to 150 psig (0 to 10.3 bar)
Metal bowl		0 to 250 psig (0 to 17.2 bar)
With DPI		
		0 to 150 psig (0 to 10.3 bar)
Auto float drain		15 to 250 psig (1.0 to 17.2 bar)
Operating temperature:		
Plastic bowl		32°F to 125°F (0°C to 52°C)
Metal bowl		32°F to 175°F (0°C to 80°C)
With DPI		32°F to 125°F (0°C to 52°C)
Flow capacity†:		
High flow	1/2"	130 scfm (61.4 dm³/s, ANR)
	3/4"	145 scfm (68.4 dm³/s, ANR)
Bowl capacity:		7.2 oz.
Sump capacity:		2.8 oz.
Weight:		2.2 lb (1.0 kg)
† scfm = Standard cubic feet per minute at 90 psig inlet and 5 psig pressure drop.		
DPI = Differential pressure indicator		

**Ordering Information:**

Port Size	Description ‡	Part Number
1/2"	Poly Bowl, Metal Bowl Guard, Twist Drain, 40 Micron	<b>07F32AC</b>
1/2"	Poly Bowl, Metal Bowl Guard, Twist Drain, 5 Micron	<b>07F32BC</b>
1/2"	Metal Bowl, Twist Drain, 40 Micron	<b>07F33AC</b>
1/2"	Metal Bowl, Sight Gauge, Twist Drain, 40 Micron	<b>07F34AC</b>
1/2"	Metal Bowl, Sight Gauge, Twist Drain, 5 Micron	<b>07F34BC</b>
1/2"	Poly Bowl, Metal Bowl Guard, Auto Float Drain, 40 Micron	<b>07F36AC</b>
1/2"	Poly Bowl, Metal Bowl Guard, Auto Float Drain, 5 Micron	<b>07F36BC</b>
1/2"	Metal Bowl, Auto Float Drain, 40 Micron	<b>07F37AC</b>
1/2"	Metal Bowl, Sight Gauge, Auto Float Drain, 40 Micron	<b>07F38AC</b>
1/2"	Metal Bowl, Sight Gauge, Auto Float Drain, 5 Micron	<b>07F38BC</b>
3/4"	Poly Bowl, Metal Bowl Guard, Twist Drain, 40 Micron	<b>07F42AC</b>
3/4"	Poly Bowl, Metal Bowl Guard, Twist Drain, 5 Micron	<b>07F42BC</b>
3/4"	Metal Bowl, Sight Gauge, Twist Drain, 40 Micron	<b>07F44AC</b>
3/4"	Metal Bowl, Sight Gauge, Twist Drain, 5 Micron	<b>07F44BC</b>
3/4"	Poly Bowl, Metal Bowl Guard, Auto Float Drain, 40 Micron	<b>07F46AC</b>
3/4"	Poly Bowl, Metal Bowl Guard, Auto Float Drain, 5 Micron	<b>07F46BC</b>
3/4"	Metal Bowl, Auto Float Drain, 40 Micron	<b>07F47AC</b>
3/4"	Metal Bowl, Sight Gauge, Auto Float Drain, 40 Micron	<b>07F48AC</b>

‡ For polycarbonate bowl and sight dome, see caution in Engineering Section A.

Most popular.



For inventory, lead times, and kit lookup, visit [www.pdnplu.com](http://www.pdnplu.com)

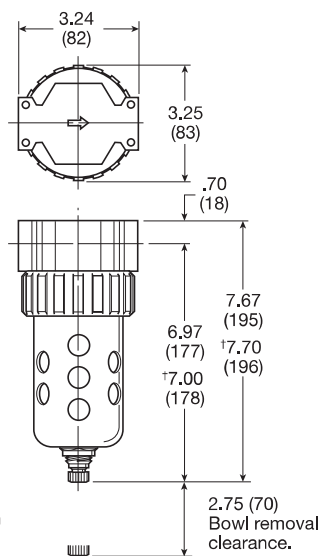
## Standard Particulate Filters

### Material Specifications

Body	Zinc
Transparent bowl	Polycarbonate
Metal bowl with or without sight gauge	Zinc
Bowl guards	Steel
Collar	Plastic or metal
Deflector, shroud & baffle	Plastic
Twist drain, body & nut	Plastic
Auto float drain – housing, float	Plastic
Auto float drain – seals	Nitrile
Auto float drain – springs, push rod	Stainless steel
Element	Plastic
Adsorber element (optional)	Activated charcoal
Seals	Nitrile
Sight gauge	Polyamide

### Repair and Service Kits

Bowl guard kit	<b>PS805P</b>
Poly bowl / auto float drain kit	<b>PS822P</b>
Poly bowl / twist drain kit	<b>PS832P</b>
Metal bowl / auto float drain kit	<b>PS826P</b>
Metal bowl / twist drain kit	<b>PS834P</b>
Metal bowl / sight gauge / auto drain kit	<b>PS823P</b>
Metal bowl / sight gauge / twist drain kit	<b>PS835P</b>
Auto float drain kit	<b>PS506P</b>
Twist drain kit	<b>PS512P</b>
40 micron element	<b>PS801P</b>
5 micron element	<b>PS802P</b>
Adsorber element	<b>PS831P</b>
Mounting bracket kit	<b>PS843P</b>
Sight gauge kit	<b>PS914P</b>



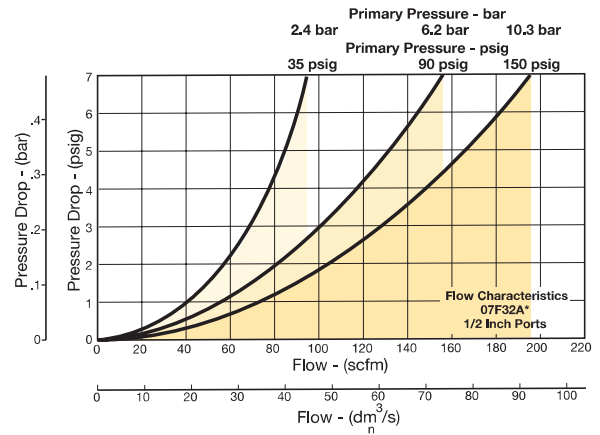
† With auto float drain  
Inches (mm)

## Air Preparation Products

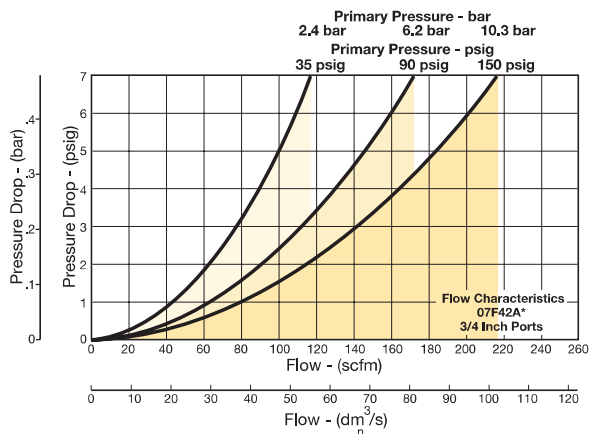
### Prep-Air® II Series

### Flow Charts

#### 07F 1/2" Particulate Filter



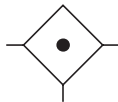
#### 07F 3/4" Particulate Filter



**Economy Coalescing Filters**

**15F Coalescing Filters – Economy**

- Removes liquid aerosols and sub-micron particles.
- Liquids gravitate to the bottom of the element and will not re-enter the airstream.
- Oil free air for critical applications, such as air gauging and pneumatic instrumentation and controls.
- Interchangeable twist and automatic pulse drains.
- Differential pressure indicator standard.
- 1/4" & 3/8" ports – (NPT)



**Operating information**

Supply pressure (max):	
Plastic bowl	
Without DPI	0 to 150 psig (0 to 10.3 bar)
With DPI	0 to 150 psig (0 to 10.3 bar)
Auto pulse drain	10 to 150 psig (0.7 to 10.3 bar)
Operating temperature:	
Plastic bowl	
Without DPI	32°F to 125°F (0°C to 52°C)
With DPI	32°F to 125°F (0°C to 52°C)
Flow capacity†:	Grade 6
1/8"	30 scfm (14.2 dm <sup>3</sup> /s, ANR)
1/4"	30 scfm (14.2 dm <sup>3</sup> /s, ANR)
Bowl capacity:	2.0 oz.
Sump capacity:	0.9 oz.
Weight:	1.2 lb (0.54 kg)
† scfm = Standard cubic feet per minute at 90 psig inlet and 5 psig pressure drop.	
DPI = Differential pressure indicator	

**Ordering Information:**

Port Size	Description ‡	Part Number
1/4"	Poly Bowl, Metal Bowl Guard, Twist Drain, Grade 6 (0.01)	<b>15F12EA</b>
3/8"	Poly Bowl, Metal Bowl Guard, Twist Drain, Grade 6 (0.01)	<b>15F22EA</b>

‡ For polycarbonate bowl, see caution in Engineering Section A.

 Most popular.



For inventory, lead times, and kit lookup, visit [www.pdnplu.com](http://www.pdnplu.com)



**Material Specifications**

Body	Zinc
Transparent bowl	Polycarbonate
Bowl guards	Steel
Collar	Plastic
Drain	Plastic
Element	Borosilicate & felt glass fibers
Seals	Nitrile
Sight gauge, DPI	Polyamide (nylon)

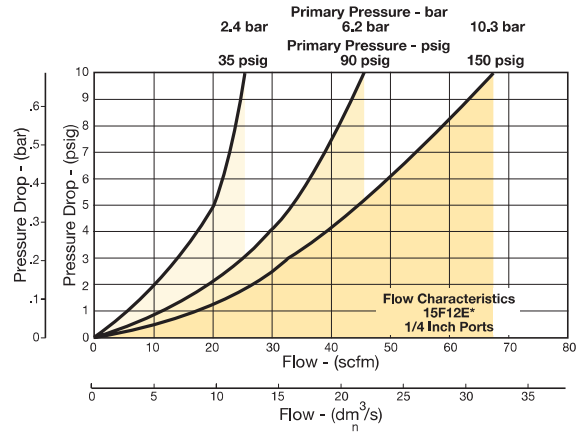
**Repair and Service Kits**

Bowl Guard Kit	<b>PS905P</b>
Poly bowl / automatic pulse drain kit	<b>PS995P</b>
Poly bowl / twist drain kit	<b>PS932P</b>
DPI replacement kit	<b>PS781P</b>
Electronic DPI replacement kit	<b>PS764</b>
Automatic pulse drain kit	<b>PS998P</b>
Twist drain kit	<b>PS512P</b>
Electrical connector: 15mm, 3-pin DIN, 6 ft. cord	<b>PS2932JBP</b>
Filter element kits – Grade 6 (standard)	<b>PS924P</b>
Mounting bracket kit	<b>PS943P</b>
Sight gauge kit	<b>PS914P</b>

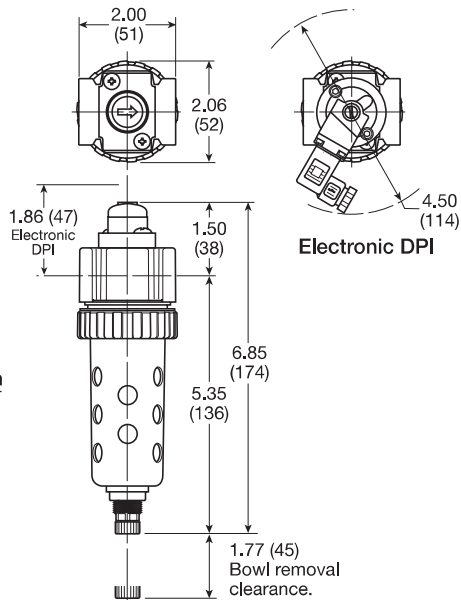
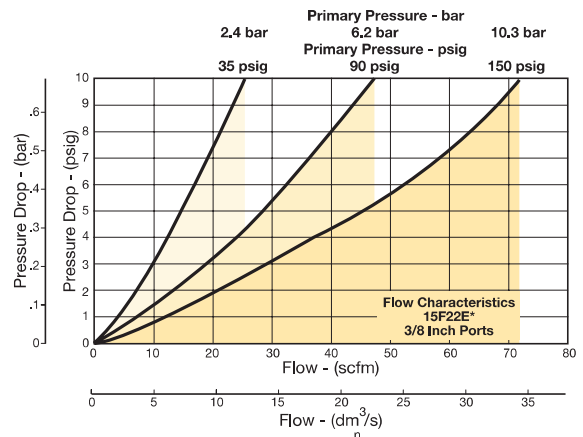
**Flow Charts**

**Grade 6 Element**

**15F 1/4" Coalescing Filter**



**15F 3/8" Coalescing Filter**



Inches (mm)

Prep-Air® II  
 Products



Filters

Coalescers

Regulators

Filter /  
 Regulators

Lubricators

Combinations

Accessories



For inventory, lead times, and kit lookup, visit [www.pdnplu.com](http://www.pdnplu.com)

**Compact Coalescing Filters**

**11F Coalescing Filters – Compact**

- Removes liquid aerosols and sub-micron particles.
- Liquids gravitate to the bottom of the element and will not re-enter the airstream
- Oil free air for critical applications, such as air gauging and pneumatic instrumentation and controls.
- Interchangeable twist and automatic float drains.
- Differential pressure indicator standard.
- Shown with recommended metal bowl guard.
- 1/4", 3/8", 1/2" ports (NPT)



**Operating information**

Supply pressure (max):	
Without DPI	
Plastic bowl	0 to 150 psig (0 to 10.3 bar)
Metal bowl	0 to 250 psig (0 to 17.2 bar)
With DPI	0 to 150 psig (0 to 10.3 bar)
Auto float drain	15 to 250 psig (1.0 to 17.2 bar)
Operating pressure drop:	
Normal	2 psig (0.14 bar)
Max recommended (Element should be replaced)	10 psig (0.7 bar)
Minimum recommended flow:	20% nominal rating of element
Operating temperature:	
Plastic bowl	32°F to 125°F (0°C to 52°C)
Metal bowl	32°F to 175°F (0°C to 80°C)
With DPI	32°F to 125°F (0°C to 52°C)
Flow capacity†:	
Grade 6 (0.01 micron)	1/4" 45 scfm (21 dm <sup>3</sup> /s, ANR) 3/8" 48 scfm (23 dm <sup>3</sup> /s, ANR) 1/2" 65 scfm (31 dm <sup>3</sup> /s, ANR)
Grade 10 (1.0 micron)	1/4" 60 scfm (28.3 dm <sup>3</sup> /s, ANR) 3/8" 72 scfm (34 dm <sup>3</sup> /s, ANR) 1/2" 95 scfm (45 dm <sup>3</sup> /s, ANR)
Bowl capacity:	4.4 oz.
Sump capacity:	1.75 oz.
Weight:	1.5 lb (0.7 kg)
† scfm = Standard cubic feet per minute at 90 psig inlet and 5 psig pressure drop. DPI = Differential pressure indicator	

**Ordering Information:**

Port Size	Description ‡	Part Number
1/4"	Poly Bowl, Metal Bowl Guard, Twist Drain, Grade 6 (0.01)	<b>11F12EC</b>
1/4"	Metal Bowl, Twist Drain, Grade 6 (0.01), W/Out Dpi	<b>11F13ECN</b>
1/4"	Metal Bowl, Twist Drain, Grade 10 (1.0), W/Out Dpi	<b>11F13HCN</b>
1/4"	Metal Bowl, Sight Gauge, Twist Drain, Grade 6 (0.01)	<b>11F14EC</b>
1/4"	Poly Bowl, Metal Bowl Guard, Auto Float Drain, Grade 6 (0.01)	<b>11F16EC</b>
1/4"	Metal Bowl, Sight Gauge, Auto Float Drain, Grade 6 (0.01)	<b>11F18EC</b>
3/8"	Poly Bowl, Metal Bowl Guard, Twist Drain, Grade 6 (0.01)	<b>11F22EC</b>
3/8"	Poly Bowl, Metal Bowl Guard, Auto Float Drain, Grade 6 (0.01)	<b>11F26EC</b>
3/8"	Metal Bowl, Auto Float Drain, Grade 6 (0.01)	<b>11F27EC</b>
3/8"	Metal Bowl, Sight Gauge, Auto Float Drain, Grade 6 (0.01)	<b>11F28EC</b>
1/2"	Poly Bowl, Metal Bowl Guard, Twist Drain, Grade 6 (0.01)	<b>11F32EC</b>
1/2"	Metal Bowl, Sight Gauge, Twist Drain, Grade 6 (0.01)	<b>11F34EC</b>
1/2"	Poly Bowl, Metal Bowl Guard, Auto Float Drain, Grade 6 (0.01)	<b>11F36EC</b>
1/2"	Metal Bowl, Auto Float Drain, Grade 6 (0.01)	<b>11F37EC</b>

‡ For polycarbonate bowl, see caution in Engineering Section A.

Most popular.



For inventory, lead times, and kit lookup, visit [www.pdnplu.com](http://www.pdnplu.com)



**Compact Coalescing Filters**

**Prep-Air® II Series**

**Material Specifications**

Body	Zinc
Transparent bowl	Polycarbonate
Metal bowl	Zinc
Bowl guard	Steel
Collar	Plastic
Twist drain, body & nut	Plastic
Automatic float drain, housing, float	Plastic
Automatic float drain, seals	Nitrile
Automatic float drain, springs, push rod	Stainless steel
Element	Borosilicate & felt glass fibers
Seals	Nitrile
Sight gauge	Polyamide

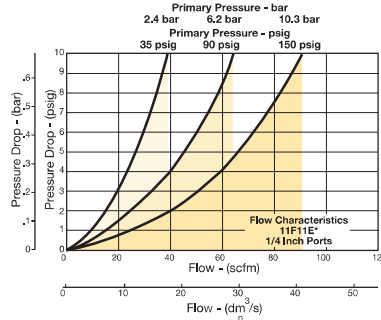
**Repair and Service Kits**

Bowl guard kit	<b>PS705P</b>
Poly bowl / automatic float drain kit	<b>PS722P</b>
Poly bowl / twist drain kit	<b>PS732P</b>
Metal bowl / automatic float drain kit	<b>PS726P</b>
Metal bowl / twist drain kit	<b>PS734P</b>
Metal bowl / sight gauge / automatic float drain kit	<b>PS723P</b>
Metal bowl / sight gauge / twist drain kit	<b>PS735P</b>
DPI replacement kit	<b>PS781P</b>
Automatic float drain kit	<b>PS506P</b>
Twist drain kit	<b>PS512P</b>
Electrical connector: 15mm, 3-pin DIN, 6 ft. cord	<b>PS2932JBP</b>
Grade 6 element (standard)	<b>PS724P</b>
Grade 10 element (optional)	<b>PS730P</b>
Mounting bracket kit	<b>PS743P</b>
Sight gauge kit	<b>PS914P</b>

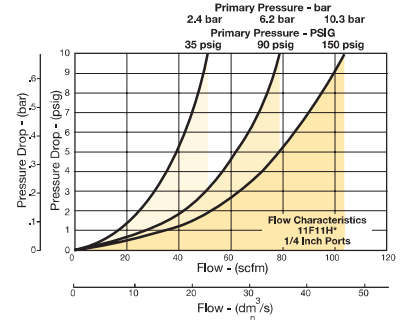
**Flow Charts**

**Grade 6**

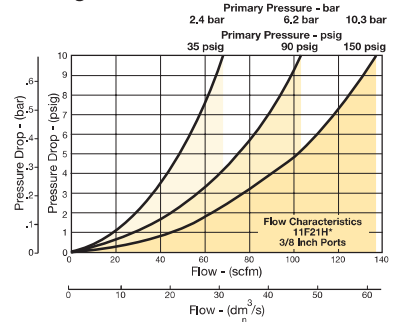
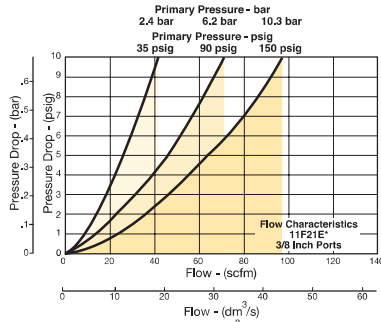
**11F 1/4" Coalescing Filter**



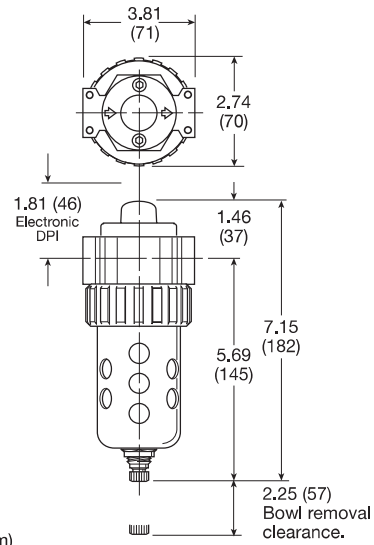
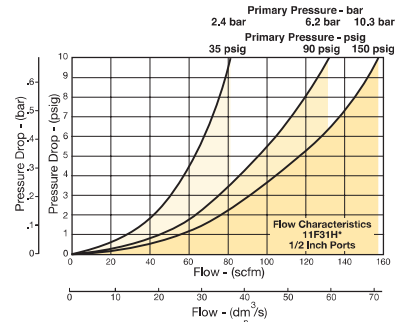
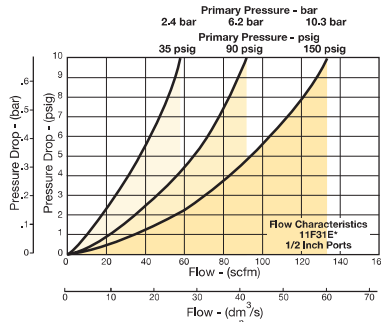
**Grade 10**



**11F 3/8" Coalescing Filter**



**11F 1/2" Coalescing Filter**



Prep-Air® II Products



Filters

Coalescers

Regulators

Filter / Regulators

Lubricators

Combinations

Accessories

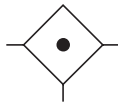


For inventory, lead times, and kit lookup, visit [www.pdnplu.com](http://www.pdnplu.com)

Standard Coalescing Filters

12F Coalescing Filters – Standard

- Removes liquid aerosols and sub-micron particles
- Liquids gravitate to the bottom of the element and will not re-enter the airstream
- Oil free air for critical applications, such as air gauging and pneumatic instrumentation and controls
- Interchangeable twist and automatic float drains
- Differential pressure indicator standard
- Shown with recommended metal bowl guard
- 1/2", 3/4" ports (NPT)



Operating information

Supply pressure (max):	
Without DPI	
Plastic bowl	0 to 150 psig (0 to 10.3 bar)
Metal bowl	0 to 250 psig (0 to 17.2 bar)
With DPI	
Auto float drain	0 to 150 psig (0 to 10.3 bar) 15 to 250 psig (1.0 to 17.2 bar)
Operating pressure drop:	
Normal	2 psig (0.14 bar)
Max recommended (Element should be replaced)	10 psig (0.7 bar)
Minimum recommended flow:	20% nominal rating of element
Operating temperature:	
Plastic bowl	32°F to 125°F (0°C to 52°C)
Metal bowl	32°F to 175°F (0°C to 80°C)
With DPI	32°F to 125°F (0°C to 52°C)
Flow capacity†:	Grade 6 1/2" 75 scfm (35.4 dm³/s, ANR) 3/4" 80 scfm (37.7 dm³/s, ANR)
	Grade 10 1/2" 125 scfm (59 dm³/s, ANR) 3/4" 160 scfm (75.5 dm³/s, ANR)
Bowl capacity:	7.2 oz.
Sump capacity:	2.8 oz.
Weight:	2.4 lb (1.1 kg)
† scfm = Standard cubic feet per minute at 90 psig inlet and 5 psig pressure drop. DPI = Differential pressure indicator	

Ordering Information:

Port Size	Description ‡	Part Number
1/2"	Poly Bowl, Metal Bowl Guard, Twist Drain, Grade 6 (0.01)	12F32EC
1/2"	Poly Bowl, Metal Bowl Guard, Twist Drain, Grade 6 (0.01), W/Out Dpi	12F32ECN
1/2"	Poly Bowl, Metal Bowl Guard, Twist Drain, Grade 10 (1.0)	12F32HC
1/2"	Poly Bowl, Metal Bowl Guard, Twist Drain, Grade 10 (1.0), W/Out Dpi	12F32HCN
1/2"	Metal Bowl, Sight Gauge, Twist Drain, Grade 6 (0.01)	12F34EC
1/2"	Metal Bowl, Sight Gauge, Twist Drain, Grade 6 (0.01), W/Out Dpi	12F34ECN
1/2"	Poly Bowl, Metal Bowl Guard, Auto Float Drain, Grade 6 (0.01)	12F36EC
1/2"	Poly Bowl, Metal Bowl Guard, Auto Float Drain, Grade 6 (0.01), W/Out Dpi	12F36ECN
1/2"	Metal Bowl, Sight Gauge, Auto Float Drain, Grade 6 (0.01)	12F38EC
1/2"	Metal Bowl, Sight Gauge, Auto Float Drain, Grade 10 (1.0)	12F38HC
3/4"	Poly Bowl, Metal Bowl Guard, Twist Drain, Grade 6 (0.01)	12F42EC
3/4"	Poly Bowl, Metal Bowl Guard, Auto Float Drain, Grade 6 (0.01)	12F46EC
3/4"	Metal Bowl, Auto Float Drain, Grade 10 (1.0)	12F47HC
3/4"	Metal Bowl, Sight Gauge, Auto Float Drain, Grade 6 (0.01)	12F48EC

‡ For polycarbonate bowl, see caution in Engineering Section A.

Most popular.



For inventory, lead times, and kit lookup, visit [www.pdnplu.com](http://www.pdnplu.com)



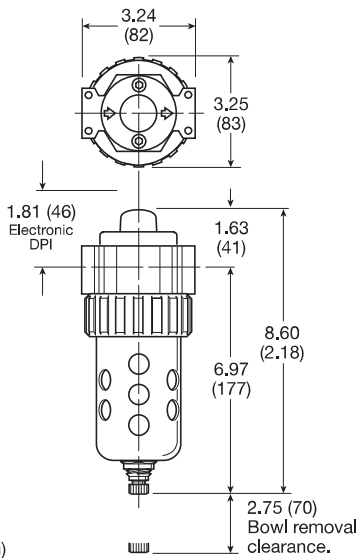
**Standard Coalescing Filters**

**Material Specifications**

Body	Zinc
Transparent bowl	Polycarbonate
Metal bowl with or without sight gauge	Zinc
Bowl guard	Steel
Collar	Plastic or metal
Twist drain, body & nut	Plastic
Automatic float drain, housing, float	Plastic
Automatic float drain, seals	Nitrile
Automatic float drain, springs, push rod	Stainless steel
Element	Borosilicate & felt glass fibers
Seals	Nitrile
Sight gauge	Polyamide

**Repair and Service Kits**

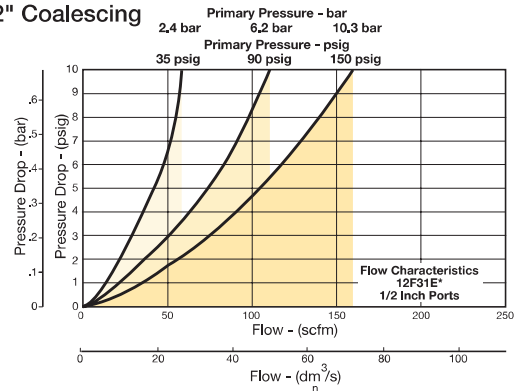
Bowl guard kit	<b>PS805P</b>
Poly bowl / automatic float drain kit	<b>PS822P</b>
Poly bowl / twist drain kit	<b>PS832P</b>
Metal bowl / automatic float drain kit	<b>PS826P</b>
Metal bowl / twist drain kit	<b>PS834P</b>
Metal bowl / sight gauge / automatic float drain kit	<b>PS823P</b>
Metal bowl / sight gauge / twist drain kit	<b>PS835P</b>
DPI replacement kit	<b>PS781P</b>
Automatic float drain kit	<b>PS506P</b>
Twist drain kit	<b>PS512P</b>
Electrical connector: 15mm, 3-pin DIN, 6 ft. cord	<b>PS2932JBP</b>
Grade 6 element (standard)	<b>PS824P</b>
Grade 10 element (optional)	<b>PS830P</b>
Mounting bracket kit	<b>PS843P</b>
Sight gauge kit	<b>PS914P</b>



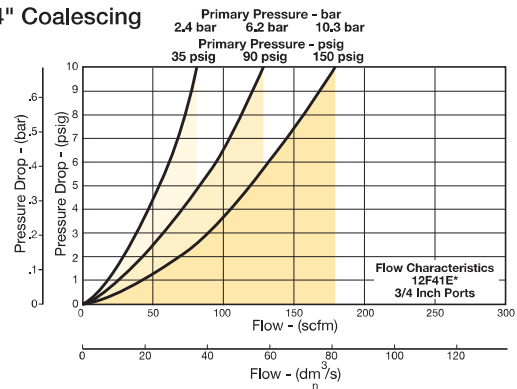
**Flow Charts**

**Grade 6 Element**

**12F 1/2" Coalescing Filter**

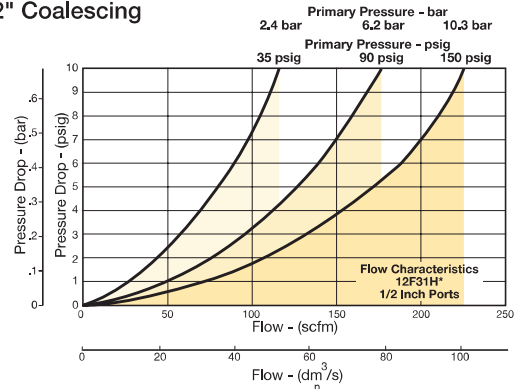


**12F 3/4" Coalescing Filter**

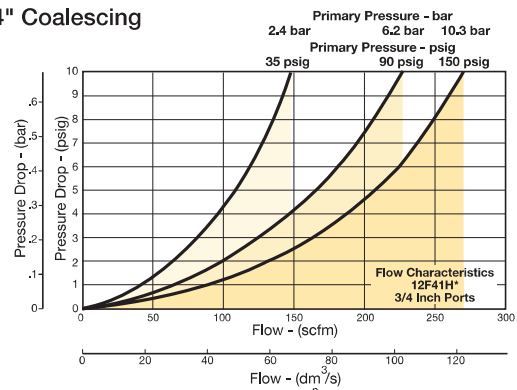


**Grade 10 Element**

**12F 1/2" Coalescing Filter**



**12F 3/4" Coalescing Filter**



Prep-Air® II  
Products



Filters

Coalescers

Regulators

Filter /  
Regulators

Lubricators

Combinations

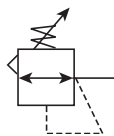
Accessories



For inventory, lead times, and kit lookup, visit [www.pdnplu.com](http://www.pdnplu.com)

## 05R Regulators – Economy

- Secondary aspiration plus balanced poppet provides quick response and accurate pressure regulation
- Rolling diaphragm for extended life
- Removable non-rising knob for panel mounting and tamper resistance
- Easily serviced
- Reverse flow
- 1/4", 3/8" ports (NPT)



### Operating information

Supply pressure (max):	0 to 300 psig (0 to 20.7 bar)	
	For secondary pressure ranges see charts next page.	
Operating temperature:	32°F to 175°F (0°C to 80°C)	
Low temperature	-4°F to 125°F (-20°C to 52°C)	
Flow capacity†:		
High flow	1/4"	30 scfm (14.2 dm <sup>3</sup> /s, ANR)
	3/8"	40 scfm (18.9 dm <sup>3</sup> /s, ANR)
Gauge ports (2):	1/4 inch	
Weight:	1.1 lb (0.49 kg)	

† scfm = Standard cubic feet per minute at 100 psig inlet, 90 psig no flow secondary setting and 10 psig pressure drop.

### Ordering Information:

Port Size	Description	Part Number
1/4"	2-125 psi w/out Gauge, Relieving	<b>05R113AD</b>
1/4"	2-200 psi w/out Gauge, Relieving	<b>05R114AD</b>
3/8"	2-125 psi w/out Gauge, Relieving	<b>05R213AD</b>
3/8"	2-200 psi w/out Gauge, Relieving	<b>05R214AD</b>

NOTE: 1.53 Dia. (39 mm) hole required for panel mounting.

Most popular.



For inventory, lead times, and kit lookup, visit [www.pdnplu.com](http://www.pdnplu.com)

Prep-Air® II Products
Filters
Coalescers
Regulators
Filter / Regulators
Lubricators
Combinations
Accessories

**Material Specifications**

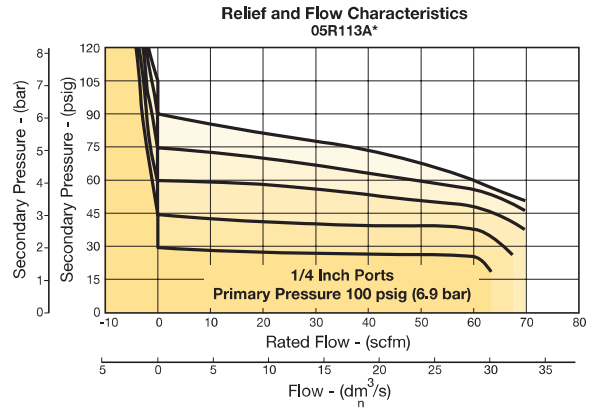
Adjusting stem	Brass
Bonnet	Plastic
Body	Zinc
Collar, Knob	Plastic
Diaphragm	Nitrile
Poppet & cap	Plastic
Seals	Nitrile
Springs – poppet & control	Steel

**Repair and Service Kits**

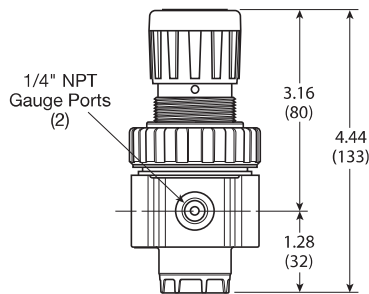
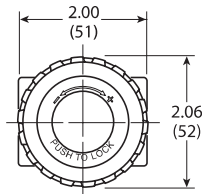
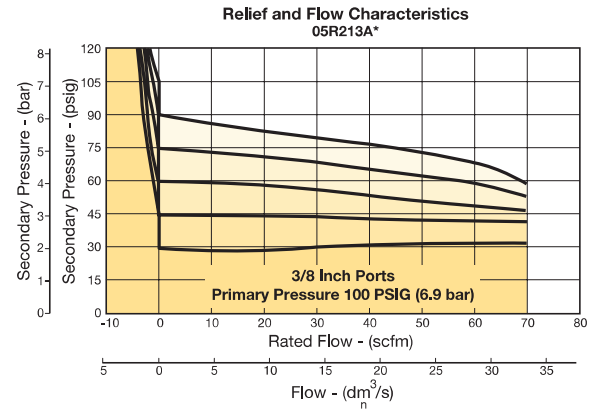
Bonnet assembly kit	<b>PS915P</b>
Control knob	<b>P04420</b>
1-1/2" dial face 30 psig (0 to 2.1 bar), gauge	<b>K4515N14030</b>
1-1/2" dial face 60 psig (0 to 4.1 bar), gauge	<b>K4515N14060</b>
1-1/2" dial face 160 psig (0 to 11.0 bar), gauge	<b>K4515N14160</b>
1-1/2" dial face 300 psig (0 to 20.7 bar), gauge	<b>K4515N14300</b>
2" dial face 60 psig (0 to 4.1 bar), gauge	<b>K4520N14060</b>
2" dial face 160 psig (0 to 11.0 bar), gauge	<b>K4520N14160</b>
2" dial face 300 psig (0 to 20.7 bar), gauge	<b>K4520N14300</b>
Mounting bracket kit	<b>PS963P</b>
Panel mount nut – metal	<b>PS964P</b>
1-30 psig spring	<b>P04427</b>
1-60 psig spring	<b>P04426</b>
2-125 psig spring	<b>P04425</b>
2-200 psig spring	<b>P02934</b>
Relieving service kit	<b>PS908P</b>

**Flow Charts**

**05R 1/4" Regulator**



**05R 3/8" Regulator**



Inches (mm)

**⚠ WARNING**

**Product rupture can cause serious injury.  
 Do not connect regulator to bottled gas.  
 Do not exceed Maximum primary pressure rating.**

**CAUTION:**

**REGULATOR PRESSURE ADJUSTMENT** – The working range of knob adjustment is designed to permit outlet pressures within their full range. Pressure adjustment beyond this range is also possible because the knob is not a limiting device. This is a common characteristic of most industrial regulators, and limiting devices may be obtained only by special design. For best performance, regulated pressure should always be set by increasing the pressure up to the desired setting.

Prep-Air® II  
 Products



Filters

Coalescers

Regulators

Filter/  
 Regulators

Lubricators

Combinations

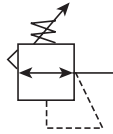
Accessories



For inventory, lead times, and kit lookup, visit [www.pdnplu.com](http://www.pdnplu.com)

## 06R Regulators – Compact

- Secondary aspiration plus balanced poppet provides quick response and accurate pressure regulation
- Rolling diaphragm for extended life
- Two high flow 1/4" gauge ports can be used as additional outlets
- Easily serviced
- Removable non-rising knob for panel mounting and tamper resistance
- 1/4", 3/8", 1/2" ports (NPT)



### Operating information


Supply pressure (max):	250 psig (17.2 bar)	
Secondary pressure ranges:		
Standard	2 to 125 psig (0 to 8.6 bar)	
Low	1 to 60 psig (0 to 4.1 bar)	
High	5 to 250 psig (0.4 to 17.2 bar)	
Operating temperature:	32°F to 175°F (0°C to 80°C)	
Low temperature	-4°F to 125°F (-20°C to 52°C)	
Flow capacity†:		
High flow	1/4"	53 scfm (25 dm³/s, ANR)
	3/8"	60 scfm (28.3 dm³/s, ANR)
	1/2"	75 scfm (35.4 dm³/s, ANR)
Gauge ports (2):	1/4 inch (can be used as additional full flow 1/4 inch outlet ports)	
Weight:	1.6 lb (0.7 kg)	

† scfm = Standard cubic feet per minute at 100 psig inlet, 90 psig no flow secondary setting and 10 psig pressure drop.

### Ordering Information:

Port Size	Description	Part Number
1/4"	2-125 psi w/out Gauge, Relieving	<b>06R113AC</b>
1/4"	2-125 psi with Gauge, Relieving	<b>06R118AC</b>
3/8"	2-125 psi w/out Gauge, Relieving	<b>06R213AC</b>
3/8"	2-125 psi with Gauge, Relieving	<b>06R218AC</b>
1/2"	2-125 psi w/out Gauge, Relieving	<b>06R313AC</b>
1/2"	2-125 psi with Gauge, Relieving	<b>06R318AC</b>
1/4"	5-250 psi w/out Gauge, Relieving	<b>06R115AC</b>
3/8"	5-250 psi w/out Gauge, Relieving	<b>06R215AC</b>
1/2"	5-250 psi w/out Gauge, Relieving	<b>06R315AC</b>

**NOTE: 2.0 Dia. (51 mm) hole required for panel mounting.**

 Most popular.



For inventory, lead times, and kit lookup, visit [www.pdnplu.com](http://www.pdnplu.com)



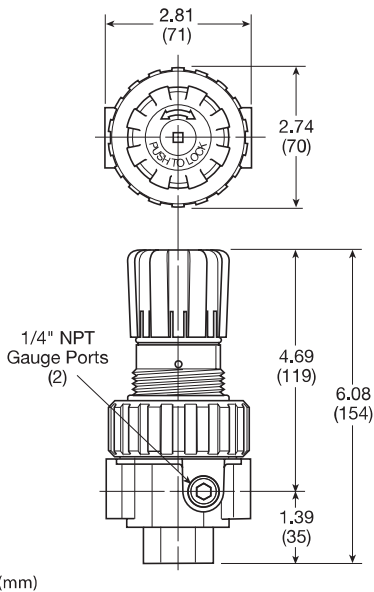
Catalog 0700P-8  
**Compact Regulators**

**Material Specifications**

Adjusting stem	Steel
Body	Zinc
Bonnet, piston stem, valve poppet & cap	Plastic
Collar, knob	Plastic
Diaphragm	Nitrile
Seals	Nitrile
Spring, poppet	Stainless
Spring, control	Steel

**Repair and Service Kits**

Bonnet assembly kit	<b>PS715P</b>
Control knob	<b>P04069B</b>
2" dial face 60 psig (0 to 4.1 bar), gauge	<b>K4520N14060</b>
2" dial face 160 psig (0 to 11.0 bar), gauge	<b>K4520N14160</b>
2" dial face 300 psig (0 to 20.7 bar), gauge	<b>K4520N14300</b>
1-3/4" digital round face 160 psig (0 to 11.0 bar) gauge	<b>K4517N14160D</b>
Mounting bracket kit (includes panel mount nut)	<b>PS707P</b>
Panel mount nut, plastic	<b>P04082</b>
Panel mount nut, metal	<b>P04079B</b>
Reverse flow service conversion kit, relieving	<b>PS708RP</b>
Relieving (includes poppet)	<b>PS708P</b>
Non-relieving (includes poppet)	<b>PS709P</b>
1-30 psig spring	<b>P01698</b>
1-60 psig spring	<b>P04062</b>
2-125 psig spring	<b>P04063</b>
5-250 psig spring	<b>P04064</b>
Tamperproof kit	<b>PS737P</b>

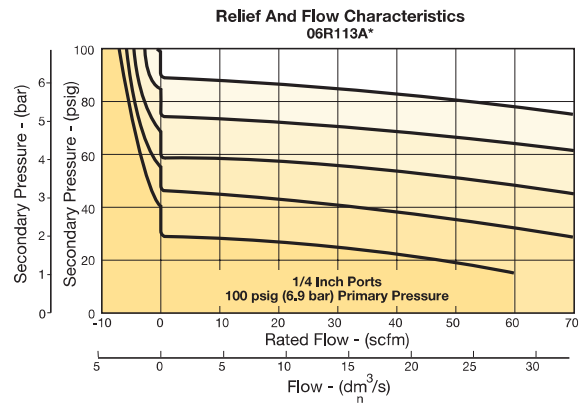


Inches (mm)

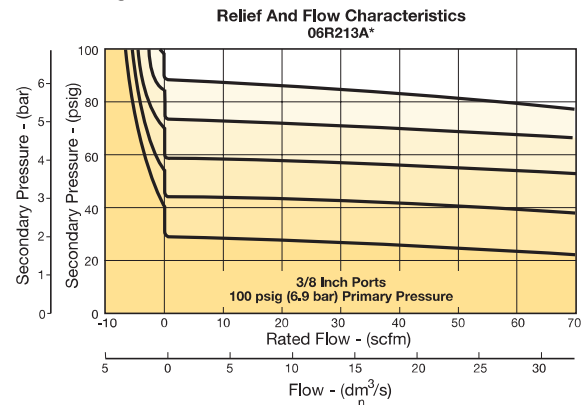
**Air Preparation Products**  
**Prep-Air® II Series**

**Flow Charts**

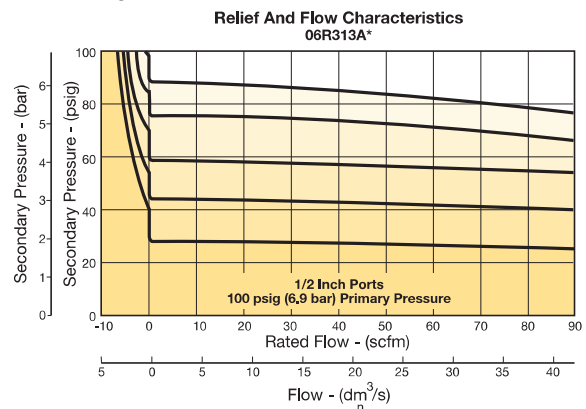
**06R 1/4" Regulator**



**06R 3/8" Regulator**



**06R 1/2" Regulator**



**WARNING**

**Product rupture can cause serious injury.  
 Do not connect regulator to bottled gas.  
 Do not exceed Maximum primary pressure rating.**

**CAUTION:**

**REGULATOR PRESSURE ADJUSTMENT** – The working range of knob adjustment is designed to permit outlet pressures within their full range. Pressure adjustment beyond this range is also possible because the knob is not a limiting device. This is a common characteristic of most industrial regulators, and limiting devices may be obtained only by special design. For best performance, regulated pressure should always be set by increasing the pressure up to the desired setting.

Prep-Air® II  
 Products



Filters

Coalescers

Regulators

Filter /  
 Regulators

Lubricators

Combinations

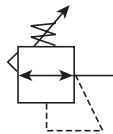
Accessories



For inventory, lead times, and kit lookup, visit [www.pdnplu.com](http://www.pdnplu.com)

## 07R Regulators – Standard

- Secondary aspiration plus balanced poppet provides quick response and accurate pressure regulation
- Rolling diaphragm for extended life
- Two high flow 1/4" gauge ports can be used as additional outlets
- Easily serviced
- Removable non-rising knob for panel mounting and tamper resistance
- 1/2", 3/4" ports (NPT)



### Operating information

Supply pressure (max):	250 psig (17.2 bar)	
Secondary pressure ranges:	2 to 125 psig (0 to 8.6 bar)	
Standard	1 to 60 psig (0 to 4.1 bar)	
Low	5 to 250 psig (0.4 to 17.2 bar)	
High		
Operating temperature:	32°F to 175°F (0°C to 80°C)	
Low temperature	-4°F to 125°F (-20°C to 52°C)	
Flow capacity†:		
High flow	1/2"	90 scfm (42.5 dm <sup>3</sup> /s, ANR)
	3/4"	90 scfm (42.5 dm <sup>3</sup> /s, ANR)
Gauge ports (2):	1/4 inch (can be used as additional full flow 1/4 inch outlet ports)	
Weight:	2.5 lb (1.1 kg)	

† scfm = Standard cubic feet per minute at 100 psig inlet, 90 psig no flow secondary setting and 10 psig pressure drop.

### Ordering Information:

Port Size	Description	Part Number
1/2"	2-125 psi w/out Gauge, Relieving	<b>07R313AC</b>
1/2"	5-250 psi w/ out Gauge, Relieving	<b>07R315AC</b>
1/2"	2-125 psi w/ Gauge, Relieving	<b>07R318AC</b>
1/2"	5-250 psi with Gauge, Relieving	<b>07R321AC</b>
3/4"	2-125 psi w/out Gauge, Relieving	<b>07R413AC</b>
3/4"	5-250 psi w/out Gauge, Relieving	<b>07R415AC</b>
3/4"	2-125 psi w/ Gauge, Relieving	<b>07R418AC</b>
G1/2"	2-125 psi w/out Gauge, Relieving	<b>07R313AC1</b>
G3/4"	2-125 psi w/ Gauge, Relieving	<b>07R418AC1</b>

**NOTE:** 2.0 Dia. (51 mm) hole required for panel mounting.

 Most popular.



For inventory, lead times, and kit lookup, visit [www.pdnplu.com](http://www.pdnplu.com)



**Material Specifications**

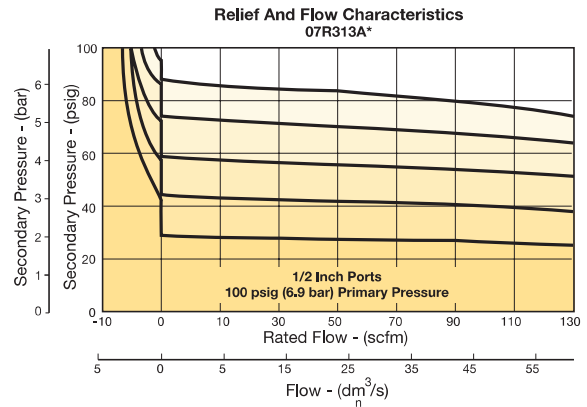
Adjusting stem	Steel
Body	Zinc
Bonnet, piston stem, valve poppet & cap	Plastic
Collar, knob	Plastic
Diaphragm	Nitrile
Seals	Nitrile
Spring, poppet	Stainless
Spring, control	Steel

**Repair and Service Kits**

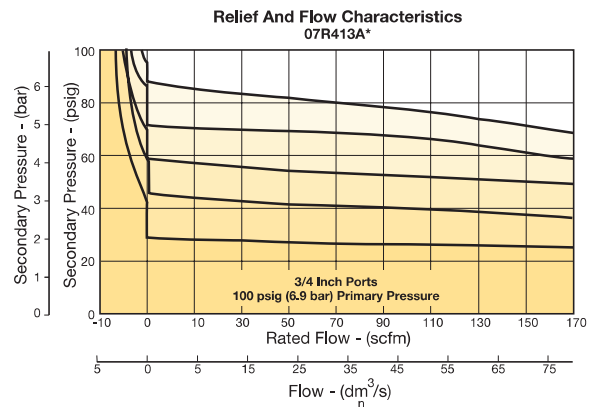
Bonnet assembly kit	<b>PS715P</b>
Control knob	<b>P04069B</b>
2" dial face 60 psig (0 to 4.1 bar), gauge	<b>K4520N14060</b>
2" dial face 160 psig (0 to 11.0 bar), gauge	<b>K4520N14160</b>
2" dial face 300 psig (0 to 20.7 bar), gauge	<b>K4520N14300</b>
1-3/4" digital round face 160 psig (0 to 11.0 bar), gauge	<b>K4517N14160D</b>
Mounting bracket kit (includes panel mount nut)	<b>PS807P</b>
Panel mount nut, plastic	<b>P04082</b>
Panel Mount nut, metal	<b>P04079B</b>
Reverse flow service conversion kit, relieving	<b>PS808RP</b>
Relieving (includes poppet)	<b>PS808P</b>
Non-relieving (includes poppet)	<b>PS809P</b>
1-30 psig spring	<b>P01698</b>
1-60 psig spring	<b>P04062</b>
2-125 psig spring	<b>P04063</b>
5-250 psig spring	<b>P04064</b>
Tamperproof kit	<b>PS737P</b>

**Flow Charts**

**07R 1/2" Regulator**



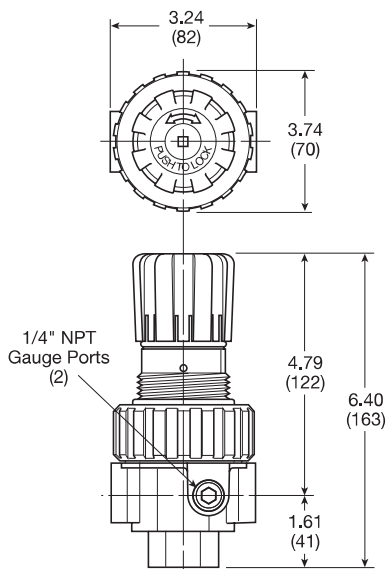
**07R 3/4" Regulator**



**⚠ WARNING**  
**Product rupture can cause serious injury.**  
**Do not connect regulator to bottled gas.**  
**Do not exceed Maximum primary pressure rating.**

**CAUTION:**

**REGULATOR PRESSURE ADJUSTMENT** – The working range of knob adjustment is designed to permit outlet pressures within their full range. Pressure adjustment beyond this range is also possible because the knob is not a limiting device. This is a common characteristic of most industrial regulators, and limiting devices may be obtained only by special design. For best performance, regulated pressure should always be set by increasing the pressure up to the desired setting.



Inches (mm)

Prep-Air® II  
 Products



Filters

Coalescers

Regulators

Filter /  
 Regulators

Lubricators

Combinations

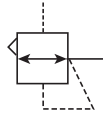
Accessories



For inventory, lead times, and kit lookup, visit [www.pdnplu.com](http://www.pdnplu.com)

## 11R Pilot Controlled Regulator – Compact

- Balanced poppet provides quick response and accurate pressure regulation
- Pilot controlled regulators can be mounted “out of reach” with pilot regulator installed in a convenient location
- Solid control piston for extended life
- Two full flow 1/4" gauge ports can be used as additional outlets
- Pilot port 1/4 Inch
- 1/4", 3/8", 1/2" ports (NPT)



### Operating information

Supply pressure (max):	0 to 250 psig (0 to 17.2 bar)	
Operating temperature:	32°F to 175°F (0°C to 80°C)	
Flow capacity†:		
High flow	1/4"	85 scfm (40 dm <sup>3</sup> /s, ANR)
	3/8"	95 scfm (44.8 dm <sup>3</sup> /s, ANR)
	1/2"	95 scfm (44.8 dm <sup>3</sup> /s, ANR)
Gauge ports (2):	1/4 inch (can be used as additional full flow 1/4 inch outlet ports)	
Weight:	1.3 lb (0.53 kg)	

† scfm = Standard cubic feet per minute at 100 psig inlet, 90 psig no flow secondary setting and 10 psig pressure drop.

### Ordering Information:

Port Size	Description	Part Number
1/4"	5-250 psi w/out Gauge, Relieving, Pilot Operated	<b>11R115PC</b>
3/8"	5-250 psi w/out Gauge, Relieving, Pilot Operated	<b>11R215PC</b>
1/2"	5-250 psi w/out Gauge, Relieving, Pilot Operated	<b>11R315PC</b>

**NOTE:** 2.0 Dia. (51 mm) hole required for panel mounting.

 Most popular.



For inventory, lead times, and kit lookup, visit [www.pdnplu.com](http://www.pdnplu.com)

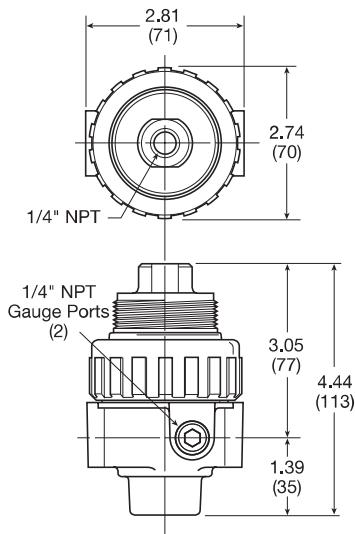


**Material Specifications**

Body & pilot cap	Zinc
Piston, valve poppet, & collar	Plastic
Seals	Nitrile
Springs	Steel

**Repair and Service Kits**

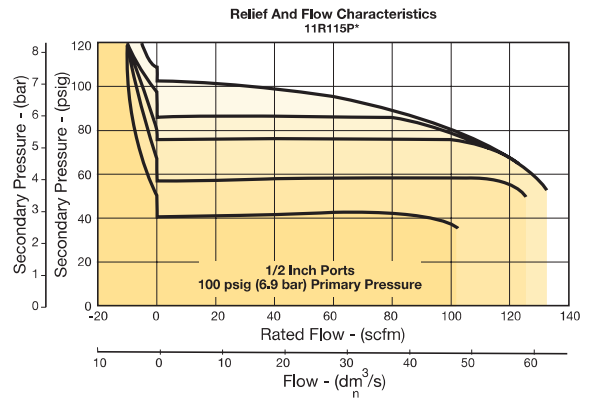
Seat Insert kit	<b>PS713P</b>
2" dial face 60 psig (0 to 4.1 bar), gauge	<b>K4520N14060</b>
2" dial face 160 psig (0 to 11.0 bar), gauge	<b>K4520N14160</b>
2" dial face 300 psig (0 to 20.7 bar), gauge	<b>K4520N14300</b>
1-3/4" digital round face 160 psig (0 to 11.0 bar), gauge	<b>K4517N14160D</b>
Mounting bracket kit (includes panel mount nut)	<b>PS707P</b>
Panel mount nut, plastic	<b>P04082</b>
Panel mount nut, metal	<b>P04079B</b>
Pilot conversion kit – relieving	<b>PS745P</b>
Non-Relieving	<b>PS747P</b>
Relieving	<b>PS749P</b>



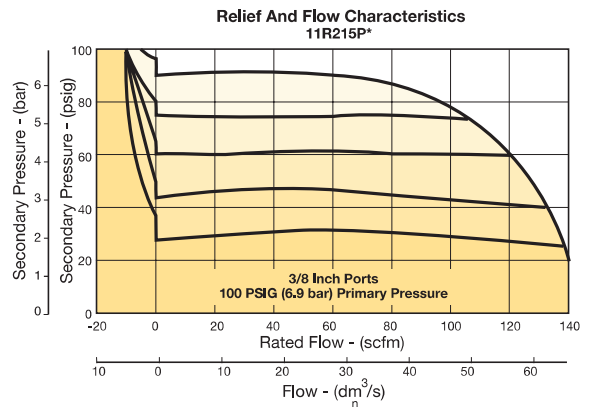
Inches (mm)

**Flow Charts**

**11R 1/2" Regulator**



**11R 3/8" Regulator**



**⚠ WARNING**  
 Product rupture can cause serious injury.  
 Do not connect regulator to bottled gas.  
 Do not exceed Maximum primary pressure rating.

Prep-Air® II  
 Products



Filters

Coalescers

Regulators

Filter /  
 Regulators

Lubricators

Combinations

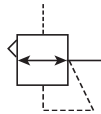
Accessories



For inventory, lead times, and kit lookup, visit [www.pdnplu.com](http://www.pdnplu.com)

## 12R Pilot Controlled Regulator – Standard

- Balanced poppet provides quick response and accurate pressure regulation
- Pilot controlled regulators can be mounted “out of reach” with pilot regulator installed in a convenient location
- Solid control piston for extended life
- Two full flow 1/4" gauge ports can be used as additional outlets
- Pilot port 1/4 Inch
- 1/2", 3/4" ports (NPT)



### Operating information

Supply pressure (max):	0 to 250 psig (0 to 17.2 bar)	
Operating temperature:	32°F to 175°F (0°C to 80°C)	
Flow capacity†:		
High flow	1/2"	140 scfm (66 dm <sup>3</sup> /s, ANR)
	3/4"	140 scfm (66 dm <sup>3</sup> /s, ANR)
Gauge ports (2):	1/4 inch (can be used as additional full flow 1/4 inch outlet ports)	
Weight:	2.0 lb (0.91 kg)	
† scfm = Standard cubic feet per minute at 100 psig inlet, 90 psig no flow secondary setting and 10 psig pressure drop.		

### Ordering Information:

Port Size	Description	Part Number
1/2"	5-250 psi w/out Gauge, Relieving, Pilot Operated	<b>12R215PB</b>
3/4"	5-250 psi w/out Gauge, Relieving, Pilot Operated	<b>12R415PB</b>

**NOTE:** 2.0 Dia. (51 mm) hole required for panel mounting.

 Most popular.



For inventory, lead times, and kit lookup, visit [www.pdnplu.com](http://www.pdnplu.com)



**Material Specifications**

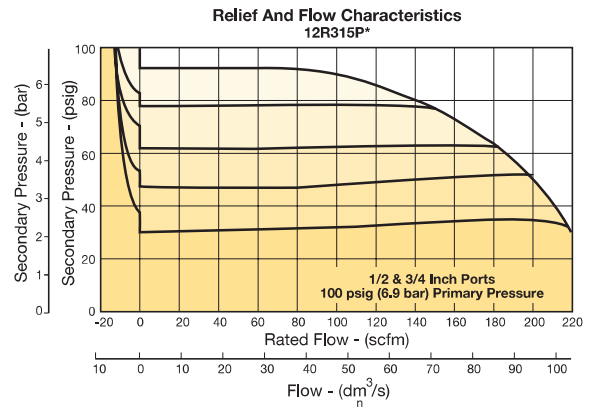
Body & pilot cap	Zinc
Piston, valve poppet, & collar	Plastic
Seals	Nitrile
Springs	Steel

**Repair and Service Kits**

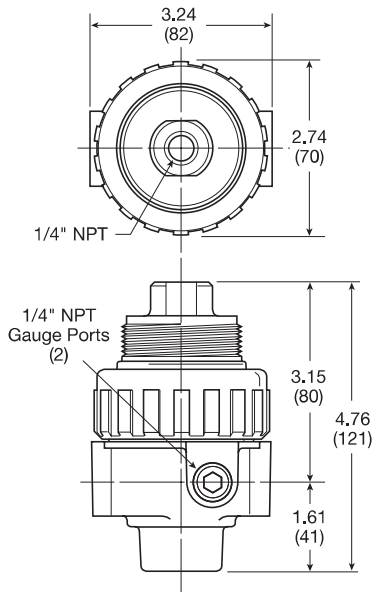
Seat insert kit	<b>PS813P</b>
2" dial face 60 psig (0 to 4.1 bar)	<b>K4520N14060</b>
2" dial face 160 psig (0 to 11.0 bar)	<b>K4520N14160</b>
2" dial face 300 psig (0 to 20.7 bar)	<b>K4520N14300</b>
1-3/4" digital round face 160 psig (0 to 11.0 bar)	<b>K4517N14160D</b>
Mounting bracket kit (includes panel mount nut)	<b>PS807P</b>
Panel mount nut, plastic	<b>P04082</b>
Panel mount nut, metal	<b>P04079B</b>
Pilot conversion kit – relieving	<b>PS745P</b>
Non-relieving	<b>PS847P</b>
Relieving	<b>PS849P</b>

**Flow Charts**

**12R 1/2 and 3/4" Regulator**



**⚠ WARNING**  
 Product rupture can cause serious injury.  
 Do not connect regulator to bottled gas.  
 Do not exceed Maximum primary pressure rating.



Inches (mm)

Prep-Air® II  
 Products



Filters

Coalescers

Regulators

Filter /  
 Regulators

Lubricators

Combinations

Accessories

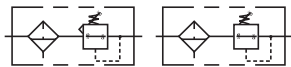


For inventory, lead times, and kit lookup, visit [www.pdnplu.com](http://www.pdnplu.com)

**Economy Filter / Regulators**

**05E Filter / Regulator – Economy**

- Space saving package offers both filter and regulator features for optimal performance
- Excellent water removal efficiency
- Rolling diaphragm for extended life
- Removable non-rising knob for tamper resistance
- Quick response, and accurate pressure regulation regardless of changing flow or inlet pressure
- 40 micron filter element standard
- 1/4", 3/8" ports (NPT)



**Operating information**

Supply pressure (max):	Plastic bowl		0 to 150 psig (0 to 10.3 bar)
Operating temperature:	Plastic bowl		32°F to 125°F (0°C to 52°C)
Flow capacity†:	High flow	1/4"	30 scfm (14.2 dm <sup>3</sup> /s, ANR)
		3/8"	40 scfm (18.9 dm <sup>3</sup> /s, ANR)
Bowl capacity:			2 oz.
Auto pulse drain tube barb			1/8 inch
Gauge ports (2):			1/4 inch
Sump capacity:			0.9 oz.
Weight:			1.35 lb (0.6 kg)

† scfm = Standard cubic feet per minute at 100 psig inlet, 90 psig no flow secondary setting and 10 psig pressure drop.

**Ordering Information:**

Port Size	Description ‡	Part Number
1/4"	Poly Bowl, Metal Guard, Twist Drain, 40 Micron, 2-125 psi w/out Gauge, Relieving	<b>05E12A13AB</b>
3/8"	Poly Bowl, Metal Guard, Twist Drain, 40 Micron, 2-125 psi w/out Gauge, Relieving	<b>05E22A13AB</b>

‡ For polycarbonate bowl, see caution in Engineering Section A.

NOTE: 1.53 Dia. (39 mm) hole required for panel mounting.

Most popular.



For inventory, lead times, and kit lookup, visit [www.pdnplu.com](http://www.pdnplu.com)



## Economy Filter / Regulators

### Material Specifications

Adjusting stem	Steel
Body	Zinc
Bonnet, internal parts	Plastic
Transparent bowl	Polycarbonate
Bowl guard	Steel
Collar	Plastic
Diaphragm	Nitrile
Drain	Plastic
40 micron element (standard)	Plastic
5 micron element (optional)	Plastic
Adsorber element (optional)	Activated charcoal
Knob	Plastic
Seals	Nitrile
Sight gauge	Polyamide (nylon)
Springs, poppet & control	Steel

### Repair and Service Kits

Bowl guard kit	PS905P
Poly bowl, automatic pulse drain	PS995P
Poly bowl, twist drain	PS932P
Auto pulse drain	PS998P
Twist drain	PS512P
40 micron element	PS901P
5 micron element	PS902P
Adsorber element	PS931P
Sight gauge kit	PS914P
1-1/2" dial face 30 psig (0 to 2.1 bar), gauge	K4515N14030
1-1/2" dial face 60 psig (0 to 4.1 bar), gauge	K4515N14060
1-1/2" dial face 160 psig (0 to 11.0 bar), gauge	K4515N14160
1-1/2" dial face 300 psig (0 to 20.7 bar), gauge	K4515N14300
2" dial face 60 psig (0 to 4.1 bar), gauge	K4520N14060
2" dial face 160 psig (0 to 11.0 bar), gauge	K4520N14160
2" dial face 300 psig (0 to 20.7 bar), gauge	K4520N14300
Mounting bracket kit (includes panel mount nut)	PS963P
Panel mount nut – metal	PS964P
1-30 psig spring	P04427
1-60 psig spring	P04426
2-125 psig spring	P04425
2-200 psig spring	P02934
Relieving service kit	PS908P
Bonnet assembly kit	PS915P

### WARNING

Product rupture can cause serious injury.  
Do not connect regulator to bottled gas.  
Do not exceed Maximum primary pressure rating.

### CAUTION:

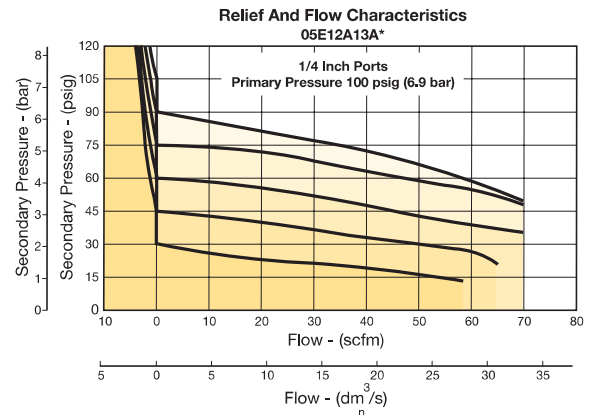
**REGULATOR PRESSURE ADJUSTMENT** – The working range of knob adjustment is designed to permit outlet pressures within their full range. Pressure adjustment beyond this range is also possible because the knob is not a limiting device. This is a common characteristic of most industrial regulators, and limiting devices may be obtained only by special design. For best performance, regulated pressure should always be set by increasing the pressure up to the desired setting.

## Air Preparation Products

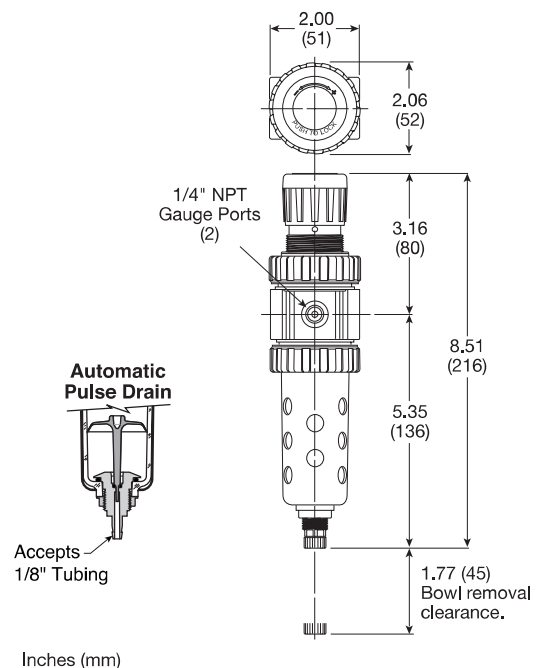
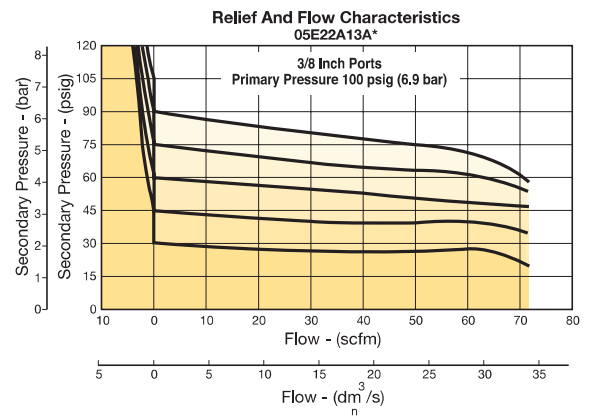
### Prep-Air® II Series

### Flow Charts

#### 05E 1/4" Filter / Regulator



#### 05E 3/8" Filter / Regulator



Prep-Air® II  
Products



Filters

Coalescers

Regulators

Filter /  
Regulators

Lubricators

Combinations

Accessories

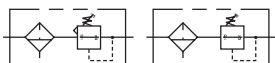


For inventory, lead times, and kit lookup, visit [www.pdnpnu.com](http://www.pdnpnu.com)

**Compact Filter / Regulators**

**06E Filter / Regulator – Compact**

- Space saving package offers both filter and regulator features for optimal performance
- Excellent water removal efficiency
- Rolling diaphragm for extended life
- Quick response, and accurate pressure regulation regardless of changing flow or inlet pressure
- Two high flow 1/4" gauge ports can be used as additional outlets
- Shown with recommended metal bowl guard
- 1/4", 3/8", 1/2" ports (NPT)



**Operating information**

Supply pressure (max):		
Plastic bowl		0 to 150 psig (0 to 10.3 bar)
Metal bowl		0 to 250 psig (0 to 17.2 bar)
Auto float drain		15 to 250 psig (1.0 to 17.2 bar)
Operating temperature:		
Plastic bowl		32°F to 125°F (0°C to 52°C)
Metal bowl		32°F to 175°F (0°C to 80°C)
Secondary pressure range:		
Standard		2 to 125 psig (0 to 8.6 bar)
Low		1 to 60 psig (0 to 4.1 bar)
High		5 to 250 psig (0.4 to 17.2 bar)
Flow capacity†:		
High flow	1/4"	45 scfm (21.7 dm <sup>3</sup> /s, ANR)
	3/8"	55 scfm (26 dm <sup>3</sup> /s, ANR)
	1/2"	61 scfm (28.8 dm <sup>3</sup> /s, ANR)
Bowl capacity:		4.4 oz.
Gauge ports (2):		1/4 inch (can be used as additional full flow 1/4" outlet ports)
Sump capacity:		1.75 oz.
Weight:		1.6 lb (0.7 kg)

† scfm = Standard cubic feet per minute at 100 psig inlet, 90 psig no flow secondary setting and 10 psig pressure drop.

**Ordering Information:**

Port Size	Description †	Part Number
1/4"	Poly Bowl, Metal Guard, Twist Drain, 40 micron, 2-125 psi w/out Gauge, Relieving	<b>06E12A13AC</b>
1/4"	Poly Bowl, Metal Guard, Twist Drain, 40 micron, 2-125 psi w/ Gauge, Relieving	<b>06E12A18AC</b>
1/4"	Poly Bowl, Metal Guard, Twist Drain, 5 micron, 2-125 psi w/ Gauge, Relieving	<b>06E12B18AC</b>
1/4"	Metal Bowl, Twist Drain, 40 micron, 2-125 psi w/out Gauge, Relieving	<b>06E13A13AC</b>
1/4"	Metal Bowl, Twist Drain, 40 micron, 2-125 psi w/out Gauge, T-Handle Relieving	<b>06E13A13TC</b>
1/4"	Metal Bowl, Twist Drain, 40 micron, 2-125 psi w/ Gauge, Relieving	<b>06E13A18AC</b>
1/4"	Metal Bowl, Sight Gauge, Twist Drain, 40 micron, 2-125 psi w/out Gauge, Relieving	<b>06E14A13AC</b>
1/4"	Metal Bowl, Sight Gauge, Twist Drain, 40 micron, 2-125 psi w/ Gauge, Relieving	<b>06E14A18AC</b>
1/4"	Poly Bowl, Metal Guard, Auto Float Drain, 40 micron, 2-125 psi w/out Gauge, Relieving	<b>06E16A13AC</b>
1/4"	Poly Bowl, Metal Guard, Auto Float Drain, 40 micron, 2-125 psi w/ Gauge, Relieving	<b>06E16A18AC</b>
3/8"	Poly Bowl, Metal Guard, Twist Drain, 40 micron, 2-125 psi w/out Gauge, Relieving	<b>06E22A13AC</b>
3/8"	Poly Bowl, Metal Guard, Twist Drain, 40 micron, 2-125 psi w/ Gauge, Relieving	<b>06E22A18AC</b>
3/8"	Poly Bowl, Metal Guard, Twist Drain, 5 micron, 2-125 psi w/out Gauge, Relieving	<b>06E22B13AC</b>

Most popular.

*Continued on next page*



For inventory, lead times, and kit lookup, visit [www.pdnplu.com](http://www.pdnplu.com)

Prep-Air® II Products

Filters

Coalescers

Regulators

Filter / Regulators

Lubricators

Combinations

Accessories

**Compact Filter / Regulators**

**Prep-Air® II Series**

**Ordering Information cont.:**

Port Size	Description †	Part Number
3/8"	Metal Bowl, Twist Drain, 40 micron, 2-125 psi w/ Gauge, Relieving	<b>06E23A18AC</b>
3/8"	Metal Bowl, Sight Gauge, Twist Drain, 40 micron, 2-125 psi w/out Gauge, Relieving	<b>06E24A13AC</b>
3/8"	Metal Bowl, Sight Gauge, Twist Drain, 40 micron, 2-125 psi w/ Gauge, Relieving	<b>06E24A18AC</b>
3/8"	Poly Bowl, Metal Guard, Auto Float Drain, 40 micron, 2-125 psi w/out Gauge, Relieving	<b>06E26A13AC</b>
3/8"	Poly Bowl, Metal Guard, Auto Float Drain, 40 micron, 2-125 psi w/ Gauge, Relieving	<b>06E26A18AC</b>
3/8"	Metal Bowl, Sight Gauge, Auto Float Drain, 40 micron, 2-125 psi w/out Gauge, Relieving	<b>06E28A13AC</b>
1/2"	Poly Bowl, Metal Guard, Twist Drain, 40 micron, 2-125 psi w/out Gauge, Relieving	<b>06E32A13AC</b>
1/2"	Poly Bowl, Metal Guard, Twist Drain, 40 micron, 2-125 psi w/ Gauge, Relieving	<b>06E32A18AC</b>
1/2"	Poly Bowl, Metal Guard, Twist Drain, 5 micron, 2-125 psi w/out Gauge, Relieving	<b>06E32B13AC</b>
1/2"	Poly Bowl, Metal Guard, Twist Drain, 5 micron, 2-125 psi w/ Gauge, Relieving	<b>06E32B18AC</b>
1/2"	Metal Bowl, Sight Gauge, Twist Drain, 40 micron, 2-125 psi w/out Gauge, Relieving	<b>06E34A13AC</b>
1/2"	Metal Bowl, Sight Gauge, Twist Drain, 40 micron, 2-125 psi w/ Gauge, Relieving	<b>06E34A18AC</b>
1/2"	Metal Bowl, Sight Gauge, Twist Drain, 5 micron, 2-125 psi w/ Gauge, Relieving	<b>06E34B18AC</b>
1/2"	Poly Bowl, Metal Guard, Auto Float Drain, 40 micron, 2-125 psi w/out Gauge, Relieving	<b>06E36A13AC</b>
1/2"	Poly Bowl, Metal Guard, Auto Float Drain, 40 micron, 2-125 psi w/ Gauge, Relieving	<b>06E36A18AC</b>
1/2"	Poly Bowl, Metal Guard, Auto Float Drain, 5 micron, 2-125 psi w/out Gauge, Relieving	<b>06E36B13AC</b>
1/2"	Metal Bowl, Auto Float Drain, 40 micron, 2-125 psi w/ Gauge, Relieving	<b>06E37A18AC</b>
1/2"	Metal Bowl, Sight Gauge, Auto Float Drain, 40 micron, 2-125 psi w/out Gauge, Relieving	<b>06E38A13AC</b>
1/2"	Metal Bowl, Sight Gauge, Auto Float Drain, 40 micron, 2-125 psi w/ Gauge, Relieving	<b>06E38A18AC</b>
G1/4"	Metal Bowl, Auto Float Drain, 5 micron, 2-125 psi w/out Gauge, Relieving	<b>06E17B13AC1</b>

† For polycarbonate bowl, see caution in Engineering Section A.

NOTE: 2.0 Dia. (50.8 mm) hole required for panel mounting. Max panel thickness 1/4"

Prep-Air® II Products	
Filters	
Coalescers	
Regulators	
Filter / Regulators	
Lubricators	
Combinations	
Accessories	

Most popular.



For inventory, lead times, and kit lookup, visit [www.pdnplu.com](http://www.pdnplu.com)

**Compact Filter / Regulators**

**Material Specifications**

Adjusting stem	Steel
Body	Zinc
Bonnet, internal parts	Plastic
Transparent bowl	Polycarbonate
Metal bowl (with or without sight gauge)	Zinc
Bowl guard	Steel
Collar	Plastic
Diaphragm	Nitrile
Manual twist drain, standard, body & nut	Plastic
Auto float drain, housing, float	Plastic
Auto float drain, seals	Nitrile
Auto float drain, springs, push rod	Stainless steel
Knob	Plastic
40 micron element (standard)	Plastic
5 micron element (optional)	Plastic
Adsorber element (optional)	Activated charcoal
Seals	Nitrile
Sight gauge	Polyamide
Poppet, spring	Stainless
Control, spring	Steel

**Repair and Service Kits**

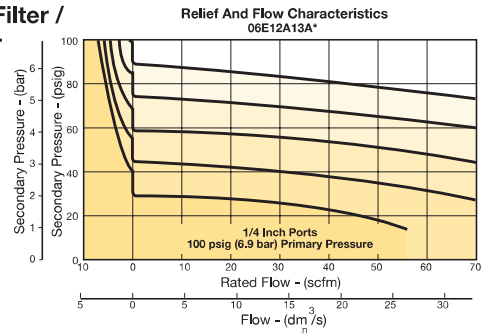
Bonnet assembly kit	<b>PS715P</b>
Bowl guard kit	<b>PS705P</b>
Poly bowl, auto float drain	<b>PS722P</b>
Poly bowl, twist drain	<b>PS732P</b>
Metal bowl, auto float drain	<b>PS726P</b>
Metal bowl, twist drain	<b>PS734P</b>
Metal bowl, sight gauge / auto drain	<b>PS723P</b>
Metal bowl, sight gauge / twist drain	<b>PS735P</b>
Control knob	<b>P04069B</b>
Auto float drain	<b>PS506P</b>
Twist drain	<b>PS512P</b>
40 micron element	<b>PS701P</b>
5 micron element	<b>PS702P</b>
Adsorber element	<b>PS731P</b>
2" dial face 60 psig (0 to 4.1 bar), gauge	<b>K4520N14060</b>
2" dial face 160 psig (0 to 11.0 bar), gauge	<b>K4520N14160</b>
2" dial face 300 psig (0 to 20.7 bar), gauge	<b>K4520N14300</b>
1-3/4" digital round face 160 psig (0 to 11.0 bar), gauge	<b>K4517N14160D</b>
Mounting bracket kit (includes panel mount nut)	<b>PS707P</b>
Panel mount nut	<b>P04082</b>
Non-relieving (includes poppet)	<b>PS711P</b>
Relieving (includes poppet)	<b>PS710P</b>
Seat insert kit	<b>PS713P</b>
1- 30 psig spring	<b>P01698</b>
1- 60 psig spring	<b>P04062</b>
2- 125 psig spring	<b>P04063</b>
5- 250 psig spring	<b>P04064</b>
Tamperproof kit (key lock)	<b>PS737P</b>

**WARNING**

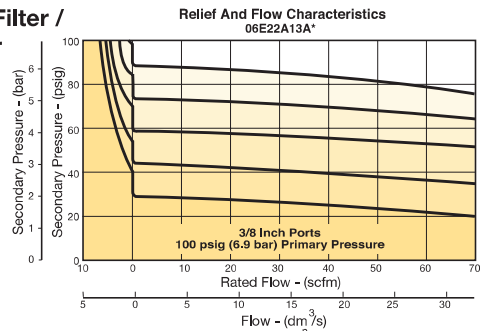
Product rupture can cause serious injury.  
Do not connect regulator to bottled gas.  
Do not exceed Maximum primary pressure rating.

**Flow Charts**

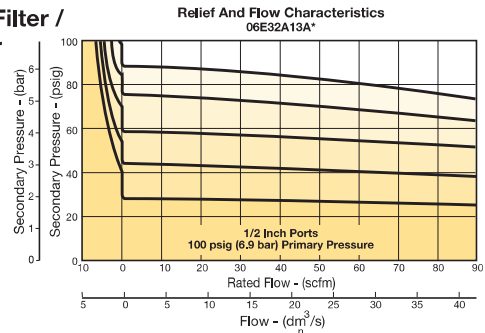
**06E 1/4" Filter / Regulator**



**06E 3/8" Filter / Regulator**

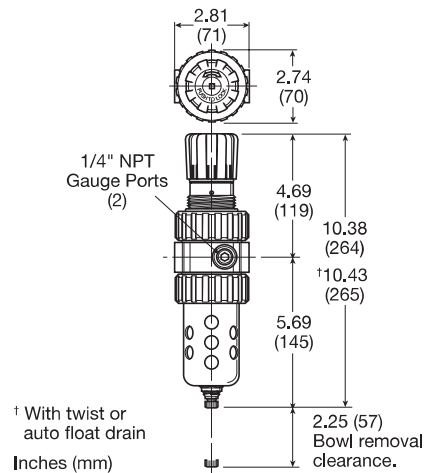


**06E 1/2" Filter / Regulator**



**CAUTION:**

**REGULATOR PRESSURE ADJUSTMENT** – The working range of knob adjustment is designed to permit outlet pressures within their full range. Pressure adjustment beyond this range is also possible because the knob is not a limiting device. This is a common characteristic of most industrial regulators, and limiting devices may be obtained only by special design. For best performance, regulated pressure should always be set by increasing the pressure up to the desired setting.



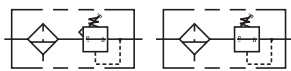
For inventory, lead times, and kit lookup, visit [www.pdnplu.com](http://www.pdnplu.com)

Prep-Air® II Products  
Filters  
Coalescers  
Regulators  
Filter / Regulators  
Lubricators  
Combinations  
Accessories

Standard Filter / Regulators

07E Filter / Regulator – Standard

- Space saving package offers both filter and regulator features for optimal performance
- Excellent water removal efficiency
- Rolling diaphragm for extended life
- Quick response, and accurate pressure regulation regardless of changing flow or inlet pressure
- Two high flow 1/4" gauge ports can be used as additional outlets
- Shown with recommended metal bowl guard
- 1/2", 3/4" ports (NPT)



Operating information

Supply pressure (max):	Plastic bowl	0 to 150 psig (0 to 10.3 bar)
	Metal bowl	0 to 250 psig (0 to 17.2 bar)
	Auto float drain	15 to 250 psig (1.0 to 17.2 bar)
Operating temperature:	Plastic bowl	32°F to 125°F (0°C to 52°C)
	Metal bowl	32°F to 175°F (0°C to 80°C)
Secondary pressure range:	Standard	2 to 125 psig (0 to 8.6 bar)
	Low	1 to 60 psig (0 to 4.1 bar)
	High	5 to 250 psig (0.4 to 17.2 bar)
Flow capacity†:		
	High flow	1/2" 90 scfm (42.5 dm³/s, ANR)
		3/4" 90 scfm (42.5 dm³/s, ANR)
Bowl capacity:		7.2 oz.
Gauge ports (2):		1/4 inch (can be used as additional full flow 1/4" outlet ports)
Sump capacity:		2.8 oz.
Weight:		2.5 lb (1.1 kg)

† scfm = Standard cubic feet per minute at 100 psig inlet, 90 psig no flow secondary setting and 10 psig pressure drop.

Ordering Information:

Port Size	Description †	Part Number
1/2"	Poly Bowl, Metal Guard, Twist Drain, 40 micron, 2-125 psi w/out Gauge, Relieving	07E32A13AC
1/2"	Poly Bowl, Metal Guard, Twist Drain, 40 micron, 2-125 psi w/ Gauge, Relieving	07E32A18AC
1/2"	Poly Bowl, Metal Guard, Twist Drain, 5 micron, 2-125 psi w/ out Gauge, Relieving	07E32B13AC
1/2"	Poly Bowl, Metal Guard, Twist Drain, 5 micron, 2-125 psi w/ Gauge, Relieving	07E32B18AC
1/2"	Metal Bowl, Sight Gauge, Twist Drain, 40 micron, 2-125 psi w/out Gauge, Relieving	07E34A13AC
1/2"	Metal Bowl, Sight Gauge, Twist Drain, 40 micron, 5-250 psi w/out Gauge, Relieving	07E34A15AC
1/2"	Metal Bowl, Sight Gauge, Twist Drain, 40 micron, 2-125 psi w/ Gauge, Relieving	07E34A18AC
1/2"	Metal Bowl, Sight Gauge, Twist Drain, 5 micron, 2-125 psi w/out Gauge, Relieving	07E34B13AC
1/2"	Metal Bowl, Sight Gauge, Twist Drain, 5 micron, 2-125 psi w/ Gauge, Relieving	07E34B18AC
1/2"	Poly Bowl, Metal Guard, Auto Float Drain, 40 micron, 2-125 psi w/ out Gauge, Relieving	07E36A13AC
1/2"	Poly Bowl, Metal Guard, Auto Float Drain, 40 micron, 2-125 psi w/ Gauge, Relieving	07E36A18AC
1/2"	Poly Bowl, Metal Guard, Auto Float Drain, 5 micron, 2-125 psi w/ out Gauge, Relieving	07E36B13AC
1/2"	Poly Bowl, Metal Guard, Auto Float Drain, 5 micron, 2-125 psi w/ Gauge, Relieving	07E36B18AC
1/2"	Metal Bowl, Auto Float Drain, 40 micron, 2-125 psi w/out Gauge, Relieving	07E37A13AC

Continued on next page

Most popular.



For inventory, lead times, and kit lookup, visit [www.pdnplu.com](http://www.pdnplu.com)

**Compact Filter / Regulators**

**Prep-Air® II Series**

**Ordering Information cont.:**

Port Size	Description †	Part Number
1/2"	Metal Bowl, Auto Float Drain, 5 micron, 2-125 psi w/out Gauge, Relieving	<b>07E37B13AC</b>
1/2"	Metal Bowl, Sight Gauge, Auto Float Drain, 40 micron, 2-125 psi w/ out Gauge, Relieving	<b>07E38A13AC</b>
1/2"	Metal Bowl, Sight Gauge, Auto Float Drain, 40 micron, 2-125 psi w/ Gauge, Relieving	<b>07E38A18AC</b>
1/2"	Metal Bowl, Sight Gauge, Auto Float Drain, 40 micron, 5-250 psi w/ Gauge, Relieving	<b>07E38A21AC</b>
1/2"	Metal Bowl, Sight Gauge, Auto Float Drain, 5 micron, 2-125 psi w/ Gauge, Relieving	<b>07E38B18AC</b>
3/4"	Poly Bowl, Metal Guard, Twist Drain, 40 micron, 2-125 psi w/ out Gauge, Relieving	<b>07E42A13AC</b>
3/4"	Poly Bowl, Metal Guard, Twist Drain, 40 micron, 2-125 psi w/ Gauge, Relieving	<b>07E42A18AC</b>
3/4"	Poly Bowl, Metal Guard, Twist Drain, 5 micron, 2-125 psi w/out Gauge, Relieving	<b>07E42B13AC</b>
3/4"	Metal Bowl, Twist Drain, 40 micron, 2-125 psi w/ out Gauge, Relieving	<b>07E43A13AC</b>
3/4"	Metal Bowl, Sight Gauge, Twist Drain, 40 micron, 2-125 psi w/ out Gauge, Relieving	<b>07E44A13AC</b>
3/4"	Metal Bowl, Sight Gauge, Twist Drain, 40 micron, 2-125 psi w/ Gauge, Relieving	<b>07E44A18AC</b>
3/4"	Metal Bowl, Sight Gauge, Twist Drain, 5 micron, 5-250 psi w/ out Gauge, Relieving	<b>07E44B15AC</b>
3/4"	Metal Bowl, Sight Gauge, Twist Drain, 5 micron, 2-125 psi w/ Gauge, Relieving	<b>07E44B18AC</b>
3/4"	Metal Bowl, Sight Gauge, Twist Drain, 40 micron, 5-250 psi w/ Gauge, Relieving	<b>07E44B21AC</b>
3/4"	Poly Bowl, Metal Guard, Auto Float Drain, 40 micron, 2-125 psi w/ out Gauge, Relieving	<b>07E46A13AC</b>
3/4"	Poly Bowl, Metal Guard, Auto Float Drain, 40 micron, 2-125 psi w/ Gauge, Relieving	<b>07E46A18AC</b>
3/4"	Metal Bowl, Auto Float Drain, 40 micron, 2-125 psi w/out Gauge, Relieving	<b>07E47A13AC</b>
3/4"	Metal Bowl, Sight Gauge, Auto Float Drain, 40 micron, 2-125 psi w/ out Gauge, Relieving	<b>07E48A13AC</b>

† For polycarbonate bowl, see caution in Engineering Section A.

NOTE: 2.0 Dia. (50.8 mm) hole required for panel mounting. Max panel thickness 1/4".

 Most popular.



For inventory, lead times, and kit lookup, visit [www.pdnplu.com](http://www.pdnplu.com)

Prep-Air® II Products

Filters
Coalescers
Regulators
Filter / Regulators
Lubricators
Combinations
Accessories

**Material Specifications**

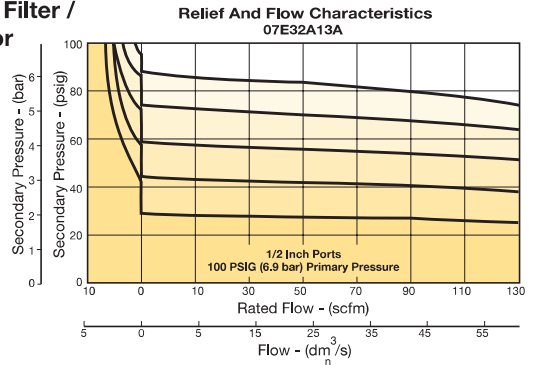
Adjusting stem	Steel
Body	Zinc
Bonnet, internal parts	Plastic
Transparent bowl	Polycarbonate
Metal bowl (with or without sight gauge)	Zinc
Bowl guard	Steel
Collar	Plastic or metal
Diaphragm	Nitrile
Manual twist drain, standard, body & nut	Plastic
Auto float drain, housing, float	Plastic
Auto float drain, seals	Nitrile
Auto float drain, springs, push rod	Stainless steel
Knob	Plastic
40 micron element (standard)	Plastic
5 micron element (optional)	Plastic
Adsorber element (optional)	Activated charcoal
Seals	Nitrile
Sight gauge	Polyamide
Poppet, spring	Stainless
Control, spring	Steel

**Repair and Service Kits**

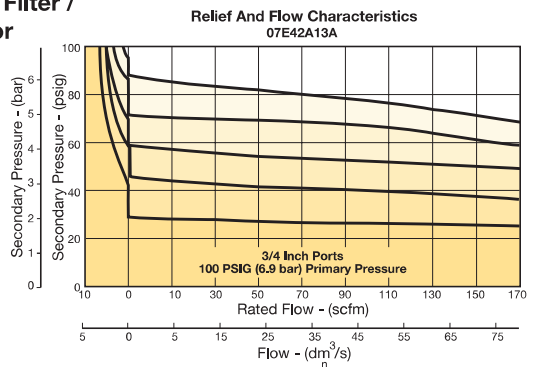
Bonnet assembly kit	<b>PS715P</b>
Bowl guard kit	<b>PS805P</b>
Poly bowl, auto float drain	<b>PS822P</b>
Poly bowl, twist drain	<b>PS832P</b>
Metal bowl, automatic float drain	<b>PS826P</b>
Metal bowl, twist drain	<b>PS834P</b>
Metal bowl, sight gauge / auto drain	<b>PS823P</b>
Metal bowl, sight gauge / twist drain	<b>PS835P</b>
Control knob	<b>P04069B</b>
Auto float drain	<b>PS506P</b>
Twist drain	<b>PS512P</b>
40 micron element	<b>PS801P</b>
5 micron element	<b>PS802P</b>
Adsorber element	<b>PS831P</b>
2" dial face 60 psig (0 to 4.1 bar), gauge	<b>K4520N14060</b>
2" dial face 160 psig (0 to 11.0 bar), gauge	<b>K4520N14160</b>
2" dial face 300 psig (0 to 20.7 bar), gauge	<b>K4520N14300</b>
1-3/4" Digital Round Face 160 psig (0 to 11.0 bar)	<b>K4517N14160D</b>
Mounting bracket kit (includes panel mount nut)	<b>PS807P</b>
Panel mount nut	<b>P04082</b>
Non-relieving (includes poppet)	<b>PS811P</b>
Relieving (includes poppet)	<b>PS810P</b>
Seat insert kit	<b>PS813P</b>
1- 30 psig spring	<b>P01698</b>
1- 60 psig spring	<b>P04062</b>
2- 125 psig spring	<b>P04063</b>
5- 250 psig spring	<b>P04064</b>
Tamperproof kit (key lock)	<b>PS737P</b>

**Flow Charts**

**07E 1/2" Filter / Regulator**



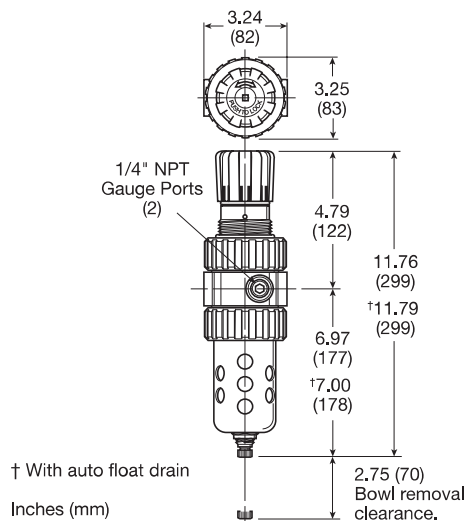
**07E 3/4" Filter / Regulator**



**WARNING**  
 Product rupture can cause serious injury.  
 Do not connect regulator to bottled gas.  
 Do not exceed Maximum primary pressure rating.

**CAUTION:**

**REGULATOR PRESSURE ADJUSTMENT** – The working range of knob adjustment is designed to permit outlet pressures within their full range. Pressure adjustment beyond this range is also possible because the knob is not a limiting device. This is a common characteristic of most industrial regulators, and limiting devices may be obtained only by special design. For best performance, regulated pressure should always be set by increasing the pressure up to the desired setting.



Prep-Air® II  
 Products



Filters

Coalescers

Regulators

Filter /  
 Regulators

Lubricators

Combinations

Accessories

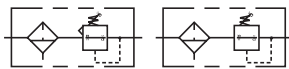


For inventory, lead times, and kit lookup, visit [www.pdnplu.com](http://www.pdnplu.com)

**Coalescing Filter / Regulators**

**12E Filter / Regulator – Coalescing**

- Space saving package offers both coalescer and regulator features for optimal performance
- Removes liquid, aerosol and sub-micron particles
- Rolling diaphragm for extended life
- Removable non-rising knob for panel mounting and tamper resistance
- Quick response, and accurate pressure regulation regardless of changing flow or inlet pressure
- Two high flow 1/4" gauge ports can be used as additional outlets
- 1/2", 3/4" ports (NPT)



**Operating information**

Supply pressure (max):	
Metal bowl	0 to 250 psig (0 to 17.2 bar)
Operating temperature:	
Metal bowl	32°F to 175°F (0°C to 80°C)
Secondary pressure range:	
Standard	2 to 125 psig (0 to 8.6 bar)
Low	1 to 60 psig (0 to 4.1 bar)
High	5 to 250 psig (0.4 to 17.2 bar)
Flow capacity†:	
High flow	1/2" 40 scfm (18.9 dm³/s, ANR)
	3/4" 45 scfm (21.2 dm³/s, ANR)
Bowl capacity:	7.2 oz.
Gauge ports (2):	1/4 inch (can be used as additional full flow 1/4" outlet ports)
Sump capacity:	2.8 oz.
Weight:	2.5 lb (1.1 kg)
† scfm = Standard cubic feet per minute at 150 psig inlet, 90 psig no flow secondary setting and 10 psig pressure drop.	

**Ordering Information:**

Port Size	Description ‡	Part Number
1/2"	Metal Bowl, Twist Drain, Grade 6 (0.01), 2-125 psi w/out Gauge, Relieving	<b>12E33E13AA</b>
1/2"	Metal Bowl, Twist Drain, Grade 6 (0.01), 2-125 psi w/ Gauge, Relieving	<b>12E33E18AA</b>
1/2"	Metal Bowl, Auto Float Drain, Grade 6 (0.01), 2-125 psi w/ out Gauge, Relieving	<b>12E37E13AA</b>
1/2"	Metal Bowl, Auto Float Drain, Grade 6 (0.01), 2-125 psi w/ Gauge, Relieving	<b>12E37E18AA</b>
3/4"	Metal Bowl, Twist Drain, Grade 6 (0.01), 2-125 psi w/ Gauge, Relieving	<b>12E43E18AA</b>

‡ For polycarbonate bowl, see caution in Engineering Section A.

NOTE: 2.0 Dia. (50.8 mm) hole required for panel mounting. Max panel thickness 1/4"

Most popular.



For inventory, lead times, and kit lookup, visit [www.pdnplu.com](http://www.pdnplu.com)

E33

**Parker Hannifin Corporation**  
Pneumatic Division  
Richland, Michigan  
[www.parker.com/pneumatics](http://www.parker.com/pneumatics)

Prep-Air® II  
Products



Filters

Coalescers

Regulators

Filter /  
Regulators

Lubricators

Combinations

Accessories

**Material Specifications**

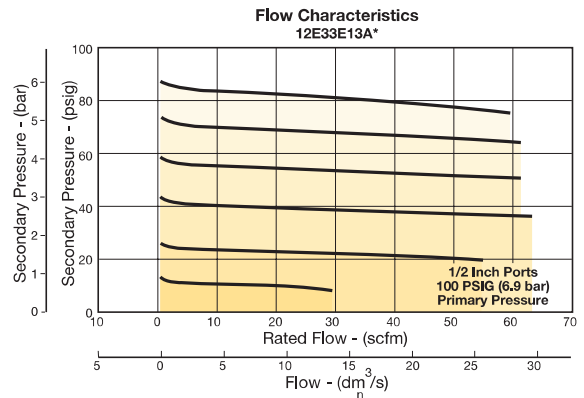
Adjusting stem	Steel
Body	Zinc
Bonnet, internal parts	Plastic
Metal bowl (without sight gauge)	Zinc
Collar for bonnet	Metal
Control spring	Steel
Diaphragm	Nitrile
Manual twist drain, standard, body & nut	Plastic
Auto float drain, housing, float	Plastic
Auto float drain, seals	Nitrile
Auto float drain, springs, push rod	Stainless steel
Knob	Plastic
Element	Borosilicate & felt glass fibers
Seals	Nitrile
Sight gauge	Polyamide
Poppet, spring	Stainless

**Repair and Service Kits**

Bonnet assembly kit	<b>PS715P</b>
Metal bowl, auto float drain	<b>PS826P</b>
Metal bowl, twist drain	<b>PS834P</b>
Control knob	<b>P04069B</b>
Auto float drain	<b>PS506P</b>
Twist drain	<b>PS512P</b>
Grade 6 element (0.01 micron)	<b>PS884P</b>
Grade 10 element (1.0 micron)	<b>PS885P</b>
2" dial face 60 psig (0 to 4.1 bar), gauge	<b>K4520N14060</b>
2" dial face 160 psig (0 to 11.0 bar), gauge	<b>K4520N14160</b>
2" dial face 300 psig (0 to 20.7 bar), gauge	<b>K4520N14300</b>
1-3/4" digital round face 160 psig (0 to 11.0 bar), gauge	<b>K4517N14160D</b>
Mounting bracket kit (includes panel mount nut)	<b>PS807P</b>
Relieving (includes poppet)	<b>PS886P</b>
1- 30 psig spring	<b>P01698</b>
1- 60 psig spring	<b>P04062</b>
2- 125 psig spring	<b>P04063</b>
5- 250 psig spring	<b>P04064</b>
Tamperproof kit (key lock)	<b>PS737P</b>

**Flow Charts**

**12E 1/2" Filter / Regulator**

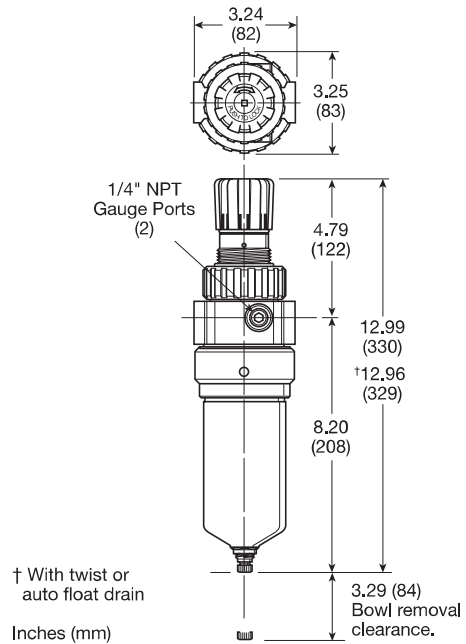


**⚠ WARNING**

**Product rupture can cause serious injury.  
 Do not connect regulator to bottled gas.  
 Do not exceed Maximum primary pressure rating.**

**CAUTION:**

**REGULATOR PRESSURE ADJUSTMENT** – The working range of knob adjustment is designed to permit outlet pressures within their full range. Pressure adjustment beyond this range is also possible because the knob is not a limiting device. This is a common characteristic of most industrial regulators, and limiting devices may be obtained only by special design. For best performance, regulated pressure should always be set by increasing the pressure up to the desired setting.



Prep-Air® II Products



Filters

Coalescers

Regulators

Filter / Regulators

Lubricators

Combinations

Accessories



For inventory, lead times, and kit lookup, visit [www.pdnplu.com](http://www.pdnplu.com)

## 15L Micro-Mist Lubricators – Economy

- Proportional oil delivery over a wide range of air flows
- Generates oil particles of 5 micron or smaller downstream to lubricate systems having complex piping arrangements
- Precision needle valve assures repeatable oil delivery and provides simple adjustment of delivery rate
- Ideal for low and high flow applications with changing air flow
- Transparent sight dome for 360° visibility
- Removable drip control knob for tamper resistance
- Integral 3/8" (NPT)



Operating information	
Supply pressure (max): Plastic bowl	150 psig (10.3 bar)
Operating temperature: Plastic bowl	32°F to 125°F (0°C to 52°C)
Flow capacity†:	
High flow	1/4" 40 scfm (18.9 dm³/s, ANR) 3/8" 40 scfm (18.9 dm³/s, ANR)
Minimum flow	2 scfm (0.9 dm³/s, ANR) at 100 psig (6.9 bar)
Bowl capacity:	2.0 oz.
Weight	1.0 lb (0.45 kg)
† scfm = Standard cubic feet per minute at 90 psig inlet and 5 psig pressure drop.	

### Ordering Information:

Port Size	Description ‡	Part Number
3/8"	Poly Bowl, Metal Bowl Guard, No Drain, No Fill Plug	<b>15L22NA</b>

‡ For polycarbonate bowl and sight dome, see caution in Engineering Section A.

#### Suggested Lubricant ..... F442 Oil

Petroleum based oil of 100 to 200 SUS viscosity at 100°F (38°C) and an aniline point greater than 200°F (93°C)  
 (DO NOT USE OILS WITH ADDITIVES, COMPOUNDED OILS CONTAINING SOLVENTS, GRAPHITE, DETERGENTS, OR SYNTHETIC OILS.)

Most popular.



For inventory, lead times, and kit lookup, visit [www.pdnplu.com](http://www.pdnplu.com)



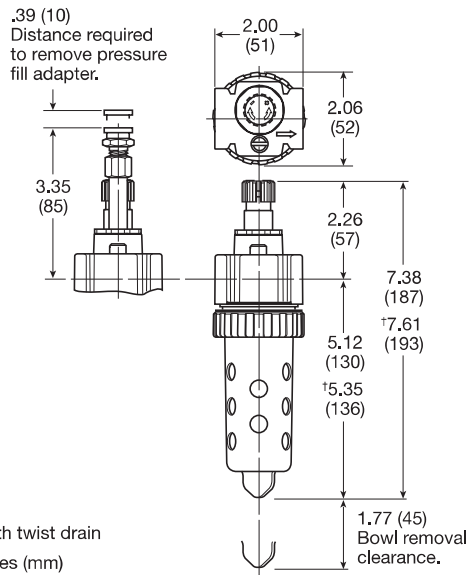
## Economy Micro-Mist Lubricators

### Material Specifications

Body	Zinc
Transparent bowl	Polycarbonate
Bowl guard	Steel
Collar	Plastic
Drains, twist – body & nut	Plastic
Injector meter block & base assembly	Plastic
Seals	Nitrile
Sight dome	Polycarbonate
Sight gauge	Polyamide (nylon)

### Repair and Service Kits

Adjustment knob	<b>P04121</b>
Bowl guard kit	<b>PS905P</b>
Poly bowl, no drain	<b>PS946P</b>
Twist drain	<b>PS512P</b>
Mounting bracket kit	<b>PS943P</b>
Service kit	<b>PS948P</b>
Sight dome kit	<b>PS740P</b>
Sight gauge kit	<b>PS914P</b>
Oil (1 quart)	<b>F442001</b>
Oil (1 gallon)	<b>F442002</b>
Oil (12 quart case)	<b>F442003</b>
Oil (4 gallon case)	<b>F442005</b>

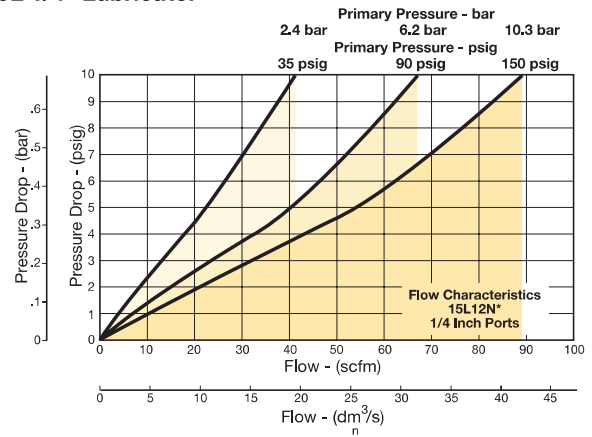


## Air Preparation Products

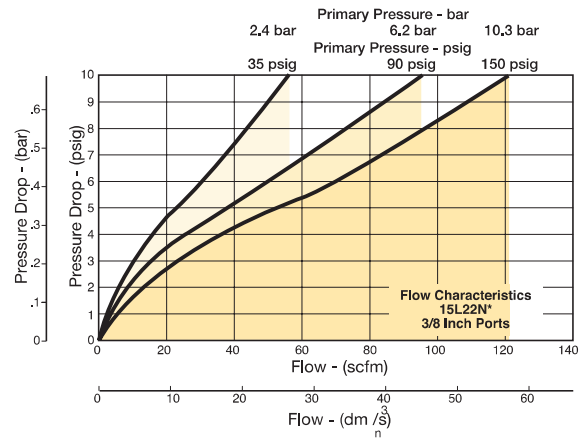
### Prep-Air® II Series

### Flow Charts

#### 15L 1/4" Lubricator



#### 15L 3/8" Lubricator



Prep-Air® II  
Products



Filters

Coalescers

Regulators

Filter /  
Regulators

Lubricators

Combinations

Accessories



For inventory, lead times, and kit lookup, visit [www.pdnplu.com](http://www.pdnplu.com)

**Compact Micro-Mist Lubricators**

**16L Micro-Mist Lubricators – Compact**

- Proportional oil delivery over a wide range of air flows
- Generates oil particles of 5 micron or smaller downstream to lubricate systems having complex piping arrangements
- Precision needle valve assures repeatable oil delivery and provides simple adjustment of delivery rate
- Ideal for low and high flow applications with changing air flow
- Transparent sight dome for 360° visibility
- Yellow fill cap identifies micro-mist lubricator
- Integral 1/4", 3/8", 1/2" (NPT)



Operating information		
Supply pressure (max):		
Plastic bowl		150 psig (10.3 bar)
Metal bowl		250 psig (17.2 bar)
Operating temperature:		
Plastic bowl		32°F to 125°F (0°C to 52°C)
Metal bowl		32°F to 175°F (0°C to 80°C)
Flow capacity†:		
High flow	1/4"	40 scfm (18.9 dm³/s, ANR)
	3/8"	60 scfm (28.3 dm³/s, ANR)
	1/2"	90 scfm (42.5 dm³/s, ANR)
Minimum flow		1 scfm (0.5 dm³/s, ANR) at 100 psig (6.9 bar)
Bowl capacity:		2.6 oz.
Weight:		1.2 lb (0.5 kg)
† scfm = Standard cubic feet per minute at 90 psig inlet and 5 psig pressure drop.		

**Ordering Information:**

Port Size	Description ‡	Part Number
1/4"	Poly Bowl, Metal Bowl Guard, No Drain, With Fill Plug	<b>16L12BE</b>
1/4"	Metal Bowl, Sight Gauge, Twist Drain, With Fill Plug	<b>16L14BE</b>
3/8"	Poly Bowl, Metal Bowl Guard, No Drain, With Fill Plug	<b>16L22BE</b>
3/8"	Metal Bowl, Sight Gauge, Twist Drain, With Fill Plug	<b>16L24BE</b>
1/2"	Poly Bowl, Metal Bowl Guard, No Drain, With Fill Plug	<b>16L32BE</b>
1/2"	Metal Bowl, Sight Gauge, Twist Drain, With Fill Plug	<b>16L34BE</b>

‡ For polycarbonate bowl and sight dome, see caution in Engineering Section A.

**Suggested Lubricant** ..... **F442 Oil**

Petroleum based oil of 100 to 200 SUS viscosity at 100°F (38°C) and an aniline point greater than 200°F (93°C)  
(DO NOT USE OILS WITH ADDITIVES, COMPOUNDED OILS CONTAINING SOLVENTS, GRAPHITE, DETERGENTS, OR SYNTHETIC OILS.)

Most popular.



For inventory, lead times, and kit lookup, visit [www.pdnplu.com](http://www.pdnplu.com)

Prep-Air® II Products
<b>P</b>
Filters
Coalescers
Regulators
Filter / Regulators
Lubricators
Combinations
Accessories

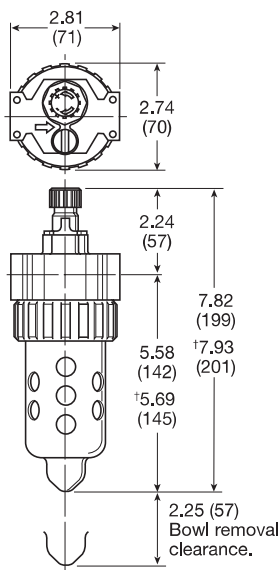
## Compact Micro-Mist Lubricators

### Material Specifications

Body	Zinc
Transparent bowls	Polycarbonate
Metal bowl (with sight gauge)	Zinc
Bowl guard	Steel
Collar	Plastic
Twist drain – body & nut	Plastic
Injector meter block & base assembly	Plastic
Seals	Nitrile
Sight dome	Polycarbonate
Sight gauge	Polyamide (nylon)

### Repair and Service Kits

Adjustment knob	<b>P04121</b>
Bowl guard kit	<b>PS705P</b>
Poly bowl / no drain kit	<b>PS746P</b>
Poly bowl / twist drain kit	<b>PS717P</b>
Poly bowl / pressure fill kit	<b>PS719P</b>
Poly bowl / remote fill kit	<b>PS728P</b>
Metal bowl / sight gauge / twist drain kit	<b>PS729P</b>
Twist drain kit	<b>PS512P</b>
Fill cap kit	<b>PS742P</b>
Lubricator service kit	<b>PS748P</b>
Mounting bracket kit	<b>PS743P</b>
Pressure fill adapter kit	<b>PS716P</b>
Pressure fill button	<b>P11912</b>
Sight dome / fill cap kit	<b>PS739P</b>
Sight dome kit, polycarbonate	<b>PS740P</b>
Sight dome kit, nylon	<b>PS740N</b>
Oil (1 quart)	<b>F442001</b>
Oil (1 gallon)	<b>F442002</b>
Oil (12 quart case)	<b>F442003</b>
Oil (4 gallon case)	<b>F442005</b>

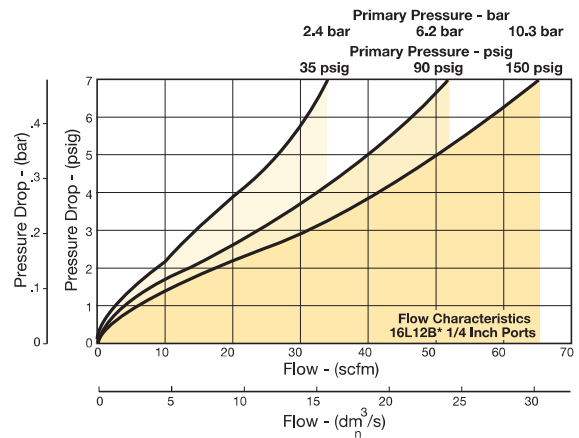


† With twist drain  
Inches (mm)

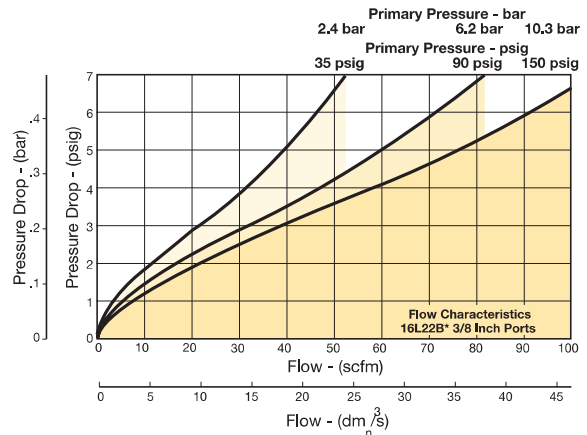
## Air Preparation Products Prep-Air® II Series

### Flow Charts

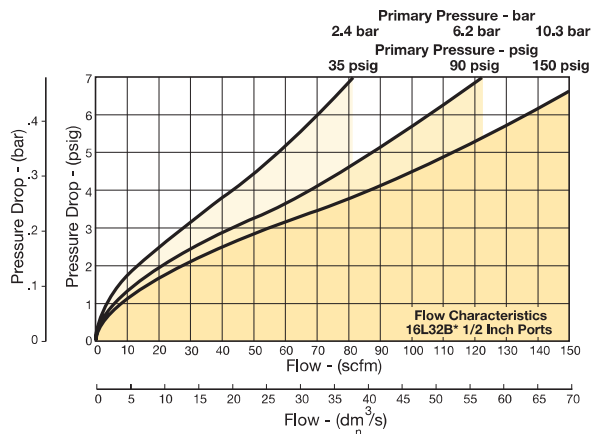
#### 16L 1/4" Lubricator



#### 16L 3/8" Lubricator



#### 16L 1/2" Lubricator



Prep-Air® II  
Products



Filters

Coalescers

Regulators

Filter /  
Regulators

Lubricators

Combinations

Accessories



For inventory, lead times, and kit lookup, visit [www.pdnplu.com](http://www.pdnplu.com)

## 17L Micro-Mist Lubricators – Standard

- Proportional oil delivery over a wide range of air flows
- Generates oil particles of 5 micron or smaller downstream to lubricate systems having complex piping arrangements
- Precision needle valve assures repeatable oil delivery and provides simple adjustment of delivery rate
- Ideal for low and high flow applications with changing air flow
- Transparent sight dome for 360° visibility
- Yellow fill cap identifies Micro-Mist Lubricator.
- Integral 1/2", 3/4" ports (NPT)



Prep-Air® II  
Products



Filters

Coalescers

Regulators

Filter /  
Regulators

Lubricators

Combinations

Accessories

### Operating information

Supply pressure (max):		
Plastic bowl		150 psig (10.3 bar)
Metal bowl		250 psig (17.2 bar)
Operating temperature:		
Plastic bowl		32°F to 125°F (0°C to 52°C)
Metal bowl		32°F to 175°F (0°C to 80°C)
Flow capacity†:		
High flow	1/2"	90 scfm (42.5 dm³/s, ANR)
	3/4"	90 scfm (42.5 dm³/s, ANR)
Minimum flow		1 scfm (0.5 dm³/s, ANR) at 100 psig (6.9 bar)
Bowl capacity:		4.9 oz.
Weight:		1.9 lb (0.9 kg)
† scfm = Standard cubic feet per minute at 90 psig inlet and 5 psig pressure drop.		

### Ordering Information:

Port Size	Description ‡	Part Number
1/2"	Poly Bowl, Metal Bowl Guard, No Drain, With Fill Plug	<b>17L32BE</b>
1/2"	Metal Bowl, Sight Gauge, Twist Drain, With Fill Plug	<b>17L34BE</b>
1/2"	Poly Bowl, Metal Bowl Guard, Pressure Fill, With Fill Plug	<b>17L36BE</b>
3/4"	Poly Bowl, Metal Bowl Guard, No Drain, With Fill Plug	<b>17L42BE</b>
3/4"	Metal Bowl, Sight Gauge, Twist Drain, With Fill Plug	<b>17L44BE</b>
3/4"	Poly Bowl, Metal Bowl Guard, Pressure Fill, With Fill Plug	<b>17L46BE</b>

‡ For polycarbonate bowl and sight dome, see caution in Engineering Section A.

### Suggested Lubricant ..... F442 Oil

Petroleum based oil of 100 to 200 SUS viscosity at 100°F (38°C) and an aniline point greater than 200°F (93°C)  
 (DO NOT USE OILS WITH ADDITIVES, COMPOUNDED OILS CONTAINING SOLVENTS, GRAPHITE, DETERGENTS, OR SYNTHETIC OILS.)

Most popular.



For inventory, lead times, and kit lookup, visit [www.pdnplu.com](http://www.pdnplu.com)

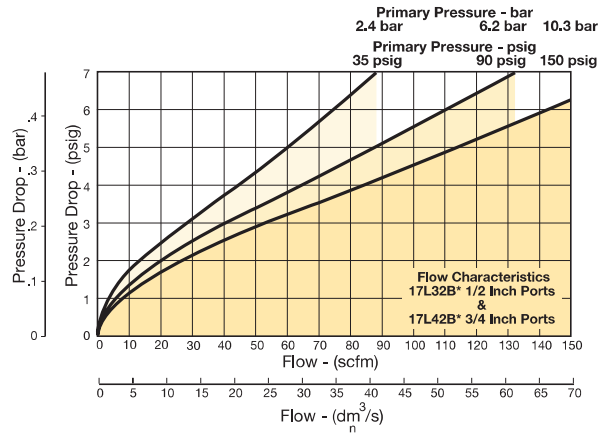
**Standard Micro-Mist Lubricators**

**Material Specifications**

Body	Zinc
Transparent bowl	Polycarbonate
Metal bowl (with sight gauge)	Zinc
Bowl guard	Steel
Collar	Plastic or Metal
Twist drain- body & nut	Plastic
Injector meter block & base assembly	Plastic
Seals	Nitrile
Sight dome	Polycarbonate
Sight gauge	Polyamide (nylon)

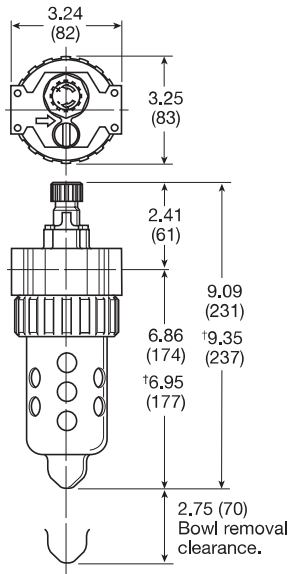
**Flow Charts**

**17L 1/2" & 3/4" Lubricator**



**Repair and Service Kits**

Adjustment knob	<b>P04121</b>
Bowl guard kit	<b>PS805P</b>
Poly bowl / no drain kit	<b>PS846P</b>
Poly bowl / twist drain kit	<b>PS817P</b>
Poly bowl / pressure fill kit	<b>PS819P</b>
Metal bowl / sight gauge / twist drain kit	<b>PS829P</b>
Metal bowl / sight gauge / pressure fill kit	<b>PS820P</b>
Twist drain kit	<b>PS512P</b>
Fill cap kit	<b>PS742P</b>
Lubricator service kit	<b>PS748P</b>
Mounting bracket kit	<b>PS843P</b>
Pressure fill adapter kit	<b>PS716P</b>
Pressure fill button	<b>P11912</b>
Sight dome / fill cap kit	<b>PS739P</b>
Sight dome kit, polycarbonate	<b>PS740P</b>
Sight dome kit, nylon	<b>PS740N</b>
Oil (1 quart)	<b>F442001</b>
Oil (1 gallon)	<b>F442002</b>
Oil (12 quart case)	<b>F442003</b>
Oil (4 gallon case)	<b>F442005</b>



† With twist drain  
 Inches (mm)

Prep-Air® II  
 Products



Filters

Coalescers

Regulators

Filter /  
 Regulators

Lubricators

Combinations

Accessories



For inventory, lead times, and kit  
 lookup, visit [www.pdnplu.com](http://www.pdnplu.com)

**Compact Mist Lubricators**

**06L Mist Lubricators – Compact**

- Proportional oil delivery over a wide range of air flows
- Precision needle valve assures repeatable oil delivery and provides simple adjustment of delivery rate
- Bowl can be filled while air line is under pressure
- Transparent sight dome for 360° visibility
- Integral 1/4", 3/8", 1/2" ports (NPT)



**Operating information**

Supply pressure (max):		
Plastic bowl		150 psig (10.3 bar)
Metal bowl		250 psig (17.2 bar)
Operating temperature:		
Plastic bowl		32°F to 125°F (0°C to 52°C)
Metal bowl		32°F to 175°F (0°C to 80°C)
Flow capacity†:		
High flow	1/4"	40 scfm (18.9 dm³/s, ANR)
	3/8"	60 scfm (28.3 dm³/s, ANR)
	1/2"	90 scfm 42.5 dm³/s, ANR)
Minimum flow		0.5 2 scfm (0.24 dm³/s, ANR) at 100 psig (6.9 bar)
Bowl capacity:		2.9 oz.
Weight:		1.2 lb (0.5 kg)
† scfm = Standard cubic feet per minute at 90 psig inlet and 5 psig pressure drop.		

**Ordering Information:**

Port Size	Description ‡	Part Number
1/4"	Poly Bowl, Metal Bowl Guard, No Drain, With Fill Plug	<b>06L12BE</b>
1/4"	Metal Bowl, Sight Gauge, Twist Drain, With Fill Plug	<b>06L14BE</b>
3/8"	Poly Bowl, Metal Bowl Guard, No Drain, With Fill Plug	<b>06L22BE</b>
3/8"	Metal Bowl, Sight Gauge, Twist Drain, With Fill Plug	<b>06L24BE</b>
1/2"	Poly Bowl, Metal Bowl Guard, No Drain, With Fill Plug	<b>06L32BE</b>
1/2"	Metal Bowl, Sight Gauge, Twist Drain, With Fill Plug	<b>06L34BE</b>
G1/2"	Poly Bowl, Metal Bowl Guard, No Drain, With Fill Plug	<b>06L32BE1</b>

‡ For polycarbonate bowl and sight dome, see caution in Engineering Section A.

**Suggested Lubricant .....F442 Oil**

Petroleum based oil of 100 to 200 SUS viscosity at 100°F (38°C) and an aniline point greater than 200°F (93°C)  
 (DO NOT USE OILS WITH ADDITIVES, COMPOUNDED OILS CONTAINING SOLVENTS, GRAPHITE, DETERGENTS, OR SYNTHETIC OILS.)

Most popular.



For inventory, lead times, and kit lookup, visit [www.pdnplu.com](http://www.pdnplu.com)



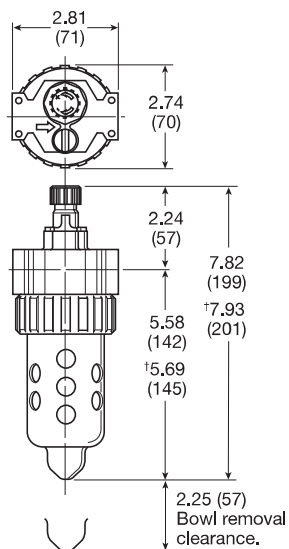
**Compact Mist Lubricators**

**Material Specifications**

Body	Zinc
Transparent bowl	Polycarbonate
Metal bowl (with sight gauge)	Zinc
Bowl guard	Steel
Collar	Plastic
Twist drain – body & nut	Plastic
Injector meter block & base assembly	Plastic
Seals	Nitrile
Sight dome	Polycarbonate
Sight gauge	Polyamide (nylon)

**Repair and Service Kits**

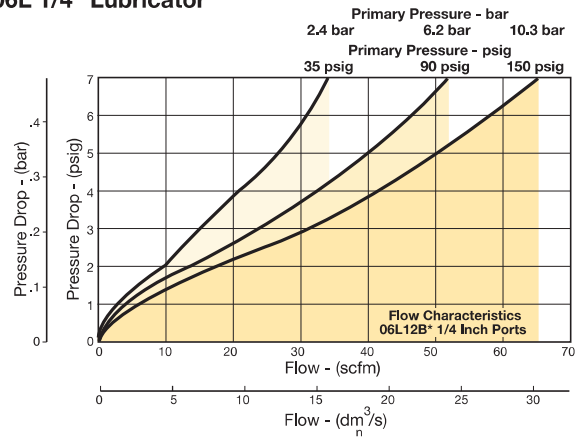
Adjustment knob	<b>P04121</b>
Bowl guard kit	<b>PS705P</b>
Poly bowl / no drain kit	<b>PS746P</b>
Poly bowl / twist drain kit	<b>PS717P</b>
Poly bowl / pressure fill kit	<b>PS719P</b>
Metal bowl / sight gauge / twist drain kit	<b>PS729P</b>
Metal bowl / sight gauge / pressure fill kit	<b>PS720P</b>
Twist drain kit	<b>PS512P</b>
Fill cap kit	<b>PS741P</b>
Lubricator service kit	<b>PS718P</b>
Mounting bracket kit	<b>PS743P</b>
Pressure fill adapter kit	<b>PS716P</b>
Pressure fill button	<b>P11912</b>
Sight dome / fill cap kit	<b>PS738P</b>
Sight dome kit, polycarbonate	<b>PS740P</b>
Sight dome kit, nylon	<b>PS740N</b>
Oil (1 quart)	<b>F442001</b>
Oil (1 gallon)	<b>F442002</b>
Oil (12 quart case)	<b>F442003</b>
Oil (4 gallon case)	<b>F442005</b>



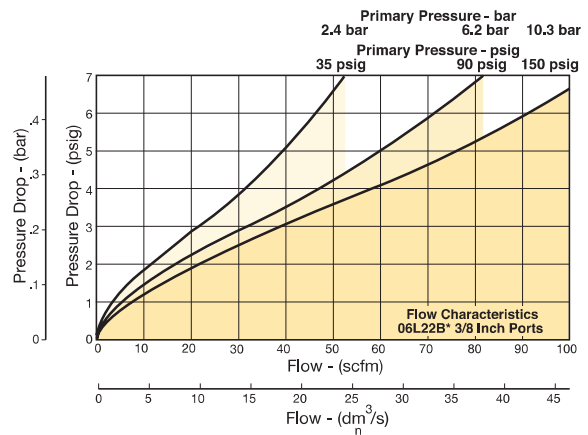
† With twist drain  
Inches (mm)

**Flow Charts**

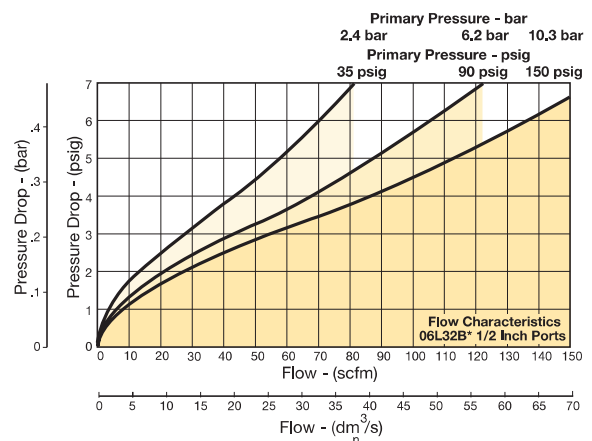
**06L 1/4" Lubricator**



**06L 3/8" Lubricator**



**06L 1/2" Lubricator**



Prep-Air® II  
Products



Filters

Coalescers

Regulators

Filter /  
Regulators

Lubricators

Combinations

Accessories



For inventory, lead times, and kit lookup, visit [www.pdnplu.com](http://www.pdnplu.com)

**Standard Mist Lubricators**

**07L Mist Lubricators – Standard**

- Proportional oil delivery over a wide range of air flows
- Precision needle valve assures repeatable oil delivery and provides simple adjustment of delivery rate
- Bowl can be filled while air line is under pressure
- Transparent sight dome for 360° visibility
- Integral 1/2", 3/4" ports (NPT)



**Operating information**

Supply pressure (max):		
Plastic bowl		150 psig (10.3 bar)
Metal bowl		250 psig (17.2 bar)
Operating temperature:		
Plastic bowl		32°F to 125°F (0°C to 52°C)
Metal bowl		32°F to 175°F (0°C to 80°C)
Flow capacity†:		
High flow	1/2"	90 scfm (42.5 dm³/s, ANR)
	3/4"	90 scfm (42.5 dm³/s, ANR)
Minimum flow		0.5 2 scfm (0.24 dm³/s, ANR) at 100 psig (6.9 bar)
Bowl capacity:		6.0 oz.
Weight:		1.9 lb (0.9 kg)
† scfm = Standard cubic feet per minute at 90 psig inlet and 5 psig pressure drop.		

**Ordering Information:**

Port Size	Description ‡	Part Number
1/2"	Poly Bowl, Metal Bowl Guard, No Drain, With Fill Plug	<b>07L32BE</b>
1/2"	Metal Bowl, Sight Gauge, Twist Drain, With Fill Plug	<b>07L34BE</b>
1/2"	Metal Bowl, Sight Gauge, Twist Drain, With Fill Plug	<b>07L34FE</b>
1/2"	Poly Bowl, Metal Bowl Guard, Twist Drain, With Fill Plug	<b>07L3NBE</b>
3/4"	Poly Bowl, Metal Bowl Guard, No Drain, With Fill Plug	<b>07L42BE</b>
3/4"	Metal Bowl, Sight Gauge, Twist Drain, With Fill Plug	<b>07L44BE</b>
1/2" BSPP	Poly Bowl, Metal Bowl Guard, No Drain, With Fill Plug	<b>07L32BE1</b>

‡ For polycarbonate bowl and sight dome, see caution in Engineering Section A.

**Suggested Lubricant** ..... **F442 Oil**

Petroleum based oil of 100 to 200 SUS viscosity at 100°F (38°C) and an aniline point greater than 200°F (93°C)  
 (DO NOT USE OILS WITH ADDITIVES, COMPOUNDED OILS CONTAINING SOLVENTS, GRAPHITE, DETERGENTS, OR SYNTHETIC OILS.)

Most popular.



For inventory, lead times, and kit lookup, visit [www.pdnplu.com](http://www.pdnplu.com)

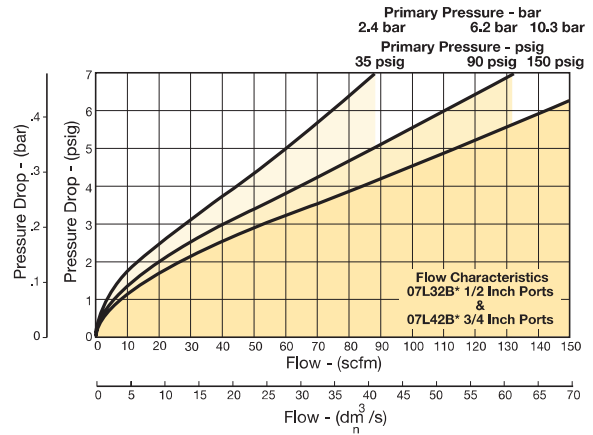


**Material Specifications**

Body	Zinc
Transparent bowl	Polycarbonate
Metal bowl (with sight gauge)	Zinc
Bowl guard	Steel
Collar	Plastic or metal
Twist drain – body & nut	Plastic
Injector meter block & base assembly	Plastic
Seals	Nitrile
Sight dome	Polycarbonate
Sight gauge	Polyamide (nylon)

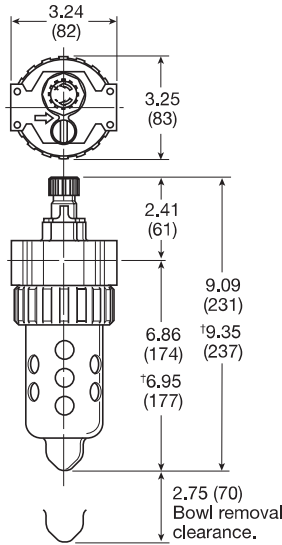
**Flow Charts**

**07L 1/2" & 3/4" Lubricator**



**Repair and Service Kits**

Adjustment knob	<b>P04121</b>
Bowl guard kit	<b>PS805P</b>
Poly bowl / no drain	<b>PS846P</b>
Poly bowl / twist drain	<b>PS817P</b>
Poly bowl / pressure fill	<b>PS819P</b>
Metal bowl / sight gauge / twist drain	<b>PS829P</b>
Metal bowl / sight gauge / pressure fill	<b>PS820P</b>
Twist drain kit	<b>PS512P</b>
Fill cap kit	<b>PS741P</b>
Lubricator service kit	<b>PS718P</b>
Mounting bracket kit	<b>PS843P</b>
Pressure fill adapter kit	<b>PS716P</b>
Pressure fill button	<b>P11912</b>
Sight dome / fill cap kit	<b>PS738P</b>
Sight dome kit, polycarbonate	<b>PS740P</b>
Sight dome kit, nylon	<b>PS740N</b>
Oil (1 quart)	<b>F442001</b>
Oil (1 gallon)	<b>F442002</b>
Oil (12 quart case)	<b>F442003</b>
Oil (4 gallon case)	<b>F442005</b>



† With twist drain  
 Inches (mm)

Prep-Air® II  
 Products



Filters

Coalescers

Regulators

Filter /  
 Regulators

Lubricators

Combinations

Accessories

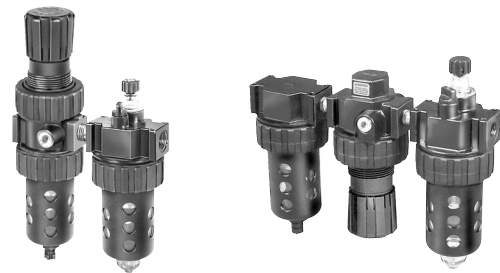
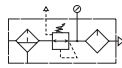


For inventory, lead times, and kit lookup, visit [www.pdnplu.com](http://www.pdnplu.com)

Close Nippled Combinations

06 Compact, 07 Standard Close Nippled Series Combinations

- Regulator can be mounted with knob in up or down position
- 40 micron filter element standard, 5 micron optional
- Manual twist drain
- Relieving regulator



06A/16G Compact Standard Close Nippled Series Combinations:

Port Size	Filter Bowl Type ‡	Element Type	Relief Type	Pressure Range	Lubricator Bowl Type	Lubricator Type	2-unit / 3-unit	Part Numbers
3/8"	Poly Bowl, Metal Bowl Guard, Twist Drain	40 micron	Relieving	2-125 psi w/out gauge	Poly Bowl, Metal Bowl Guard, No Drain	Mist, With Fill Plug	2-unit	06G22A13A2BC
3/8"	Metal Bowl, Sight Gauge, Twist Drain	40 micron	Relieving	2-125 psi w/out gauge	Metal Bowl, Sight Gauge, Twist Drain	Mist, With Fill Plug	2-unit	06G24A13A4BC
1/2"	Poly Bowl, Metal Bowl Guard, Twist Drain	40 micron	Relieving	2-125 psi w/ gauge	Poly Bowl, Metal Bowl Guard, No Drain	Mist, With Fill Plug	2-unit	06G32A18A2BC
1/2"	Poly Bowl, Metal Bowl Guard, Twist Drain	40 micron	Relieving	2-125 psi w/ gauge	Poly Bowl, Metal Bowl Guard, No Drain	Micro-Mist, With Fill Plug	3-unit	16G32A18A2BC

07A/17G Standard Close Nippled Series Combinations:

Port Size	Filter Bowl Type ‡	Element Type	Relief Type	Pressure Range	Lubricator Bowl Type	Lubricator Type	2-unit / 3-unit	Part Numbers
1/2"	Metal Bowl, Twist Drain	40 micron	Relieving	2-125 psi w/out gauge	Metal Bowl, Sight Gauge, Twist Drain	Micro-Mist, With Fill Plug	2-unit	17G33A13A4BD
1/2"	Poly Bowl, Metal Bowl Guard, Twist Drain	40 micron	Relieving	2-125 psi w/out gauge	Poly Bowl, Metal Bowl Guard, No Drain	Mist, With Fill Plug	3-unit	07A32A13A2BD
1/2"	Metal Bowl, Twist Drain	40 micron	Relieving	2-125 psi w/ gauge	Metal Bowl, Sight Gauge, Twist Drain	Mist, With Fill Plug	3-unit	07A33A18A4BD
3/4"	Poly Bowl, Metal Bowl Guard, Twist Drain	40 micron	Relieving	2-125 psi w/out gauge	Poly Bowl, Metal Bowl Guard, No Drain	Mist, With Fill Plug	3-unit	07A42A13A2BD
3/4"	Poly Bowl, Metal Bowl Guard, Twist Drain	40 micron	Relieving	2-125 psi w/ gauge	Poly Bowl, Metal Bowl Guard, No Drain	Mist, With Fill Plug	3-unit	07A42A18A2BD
3/4"	Poly Bowl, Metal Bowl Guard, Auto Float Drain	5 micron	Relieving	2-125 psi w/ gauge	Poly Bowl, Metal Bowl Guard, No Drain	Mist, With Fill Plug	3-unit	07A46B18A2BD

**WARNING**

Product rupture can cause serious injury.  
Do not connect regulator to bottled gas.  
Do not exceed Maximum primary pressure rating.

**CAUTION:**

**REGULATOR PRESSURE ADJUSTMENT** – The working range of knob adjustment is designed to permit outlet pressures within their full range. Pressure adjustment beyond this range is also possible because the knob is not a limiting device. This is a common characteristic of most industrial regulators, and limiting devices may be obtained only by special design. For best performance, regulated pressure should always be set by increasing the pressure up to the desired setting.

Most popular.



For inventory, lead times, and kit lookup, visit [www.pdnplu.com](http://www.pdnplu.com)



**Close Nipped Combinations**

**Prep-Air® II Series**

**Ordering Information:**

Reference Only  
(See discrete part list)

<b>Series</b>	<b>16A</b>	<b>1</b>	<b>2</b>	<b>A</b>	<b>13</b>	<b>A</b>	<b>2</b>	<b>B</b>	<b>C</b>
<b>Micro-Mist Compact, 3-Unit</b>	16A								
<b>Micro-Mist Compact, 2-Unit</b>	16G								
<b>Micro-Mist Standard, 2-Unit</b>	17G								
<b>Mist Compact, 3-Unit</b>	06A								
<b>Mist Standard, 3-Unit</b>	07A								
<b>Mist Compact, 2-Unit</b>	06G								

<b>Port Size</b>	
1/4 Inch	1
3/8 Inch (06/16)	2
1/2 Inch	3
3/4 Inch (07/17)	4

<b>Filter Bowl Options</b>	
Poly Bowl, Metal Bowl Guard, Twist Drain	2
Poly Bowl, Metal Bowl Guard, Auto Float Drain	6
Metal Bowl, Twist Drain	3
Metal Bowl, Sight Gauge, Auto Float Drain	4

<b>Filter Element</b>	
40 Micron	A
5 Micron	B

<b>Pressure Range</b>			
<b>Without Gauge</b>		<b>With Gauge</b>	
13	125 psig	18	125 psig

<b>Relief</b>	
A	Relieving

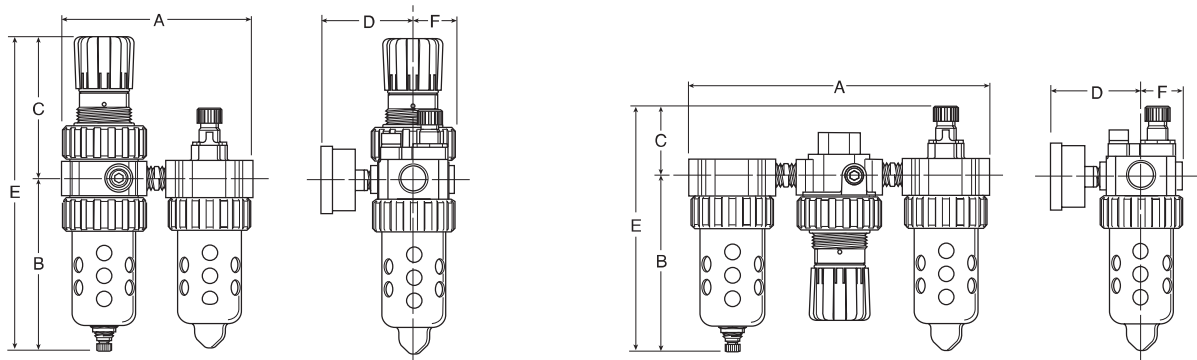
<b>Lubricator Bowl Options</b>	
2	Poly Bowl, Metal Bowl Guard, No Drain
4	Metal Bowl, Sight Gauge, Twist Drain

<b>Lubricator Body Options</b>	
B	With Fill Plug

<b>Engineering Level</b>	
C	06A, 16A, 06G, 16G Current
D	07A, 17A, 07G, 17G Current



**06G, 16G Series**

A	B	C	D	E	F
6.13 (156)	5.69 (145)	4.69 (119)	3.18 (81)	10.38 (264)	1.37 (35)

**06A, 16A Series**

A	B	C	D	E	F
9.45 (240)	5.69 (145)	2.24 (57)	3.18 (81)	7.93 (201)	1.37 (35)

**07G, 17G Series**

A	B	C	D	E	F
6.99 (178)	6.97 (177)	4.79 (122)	3.44 (87)	11.76 (299)	1.63 (41)

**07A, 17A Series**

A	B	C	D	E	F
10.74 (2738)	6.97 (177)	2.41 (61)	3.44 (87)	9.38 (238)	1.63 (41)

Inches (mm)

• All dimensions nominal.

Inches (mm)

• All dimensions nominal.



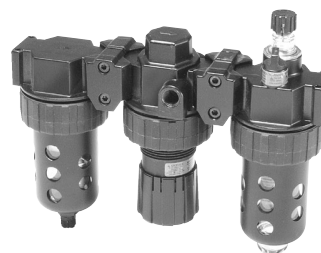
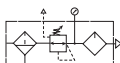
For inventory, lead times, and kit lookup, visit [www.pdnplu.com](http://www.pdnplu.com)

Prep-Air® II Products  
  
 Filters  
 Coalescers  
 Regulators  
 Filter / Regulators  
 Lubricators  
 Combinations  
 Accessories

Modular Combinations

07 Standard Modular Series Combinations

- Regulator can be mounted with knob in up or down position
- 40 micron filter element standard, 5 micron optional
- Manual twist drain
- Relieving regulator



07B/17B/17H Standard Modular Series Combinations:

Port Size	Filter Bowl Type ‡	Element Type	Relief Type	Pressure Range	Lubricator Bowl Type	Lubricator Type	2-unit / 3-unit	Modular Options	Part Numbers
3/4"	Metal Bowl, Sight Gauge, Twist Drain	5 micron	Relieving	5-250 psi w/ gauge	Metal Bowl, Sight Gauge, Twist Drain	Micro-Mist, With Fill Plug	2-unit		17H44B21A4BD
1/2"	Poly Bowl, Metal Bowl Guard, Twist Drain	40 micron	Relieving	2-125 psi w/out gauge	Poly Bowl, Metal Bowl Guard, No Drain	Mist, With Fill Plug	3-unit		07B32A13A2BD
1/2"	Poly Bowl, Metal Bowl Guard, Twist Drain	40 micron	Relieving	2-125 psi w/ gauge	Poly Bowl, Metal Bowl Guard, No Drain	Mist, With Fill Plug	3-unit	W/ Mounting Bracket	07B32A18A2BDW
1/2"	Metal Bowl, Twist Drain	40 micron	Relieving	5-250 psi w/ gauge	Metal Bowl, Twist Drain	Mist, With Fill Plug	3-unit		07B33A21A3BD
3/4"	Metal Bowl, Twist Drain	40 micron	Relieving	2-125 psi w/ gauge	Metal Bowl, Sight Gauge, Twist Drain	Mist, With Fill Plug	3-unit	W/ Mounting Bracket	07B43A18A4BDW
1/2"	Poly Bowl, Metal Bowl Guard, Twist Drain	40 micron	Relieving	2-125 psi w/ gauge	Poly Bowl, Metal Bowl Guard, No Drain	Micro-Mist, With Fill Plug	3-unit		17B32A18A2BD
3/4"	Poly Bowl, Metal Bowl Guard, Twist Drain	40 micron	Relieving	2-125 psi w/ gauge	Poly Bowl, Metal Bowl Guard, No Drain	Micro-Mist, With Fill Plug	3-unit		17B42A18A2BD

**⚠ WARNING**

**Product rupture can cause serious injury.  
Do not connect regulator to bottled gas.  
Do not exceed Maximum primary pressure rating.**

**CAUTION:**

**REGULATOR PRESSURE ADJUSTMENT** – The working range of knob adjustment is designed to permit outlet pressures within their full range. Pressure adjustment beyond this range is also possible because the knob is not a limiting device. This is a common characteristic of most industrial regulators, and limiting devices may be obtained only by special design. For best performance, regulated pressure should always be set by increasing the pressure up to the desired setting.

   Most popular.



For inventory, lead times, and kit lookup, visit [www.pdnplu.com](http://www.pdnplu.com)

Prep-Air® II Products

Filters

Coalescers

Regulators

Filter / Regulators

Lubricators

Combinations

Accessories

**Modular Combinations**

**Prep-Air® II Series**

**Ordering Information:**

Reference Only  
(See discrete part list)

17B
1
2
A
13
A
2
B
D

Series	
Micro-Mist Standard, 3-Unit	17B
Micro-Mist Standard, 2-Unit	17H
Mist Standard, 3-Unit	07B

Port Size	
1/4 Inch (06/16)	1
3/8 Inch	2
1/2 Inch (06/16 with Port Blocks)	3
3/4 Inch (07/17)	4

Filter Bowl Options	
Poly Bowl, Metal Bowl Guard, Twist Drain	2
Metal Bowl, Twist Drain	3
Metal Bowl, Sight Gauge, Auto Float Drain	4

Filter Element	
40 Micron	A
5 Micron	B

Pressure Range			
Without Gauge		With Gauge	
13	125 psig	18	125 psig
15*	250 psig	21*	250 psig

\* Only available on metal bowl.

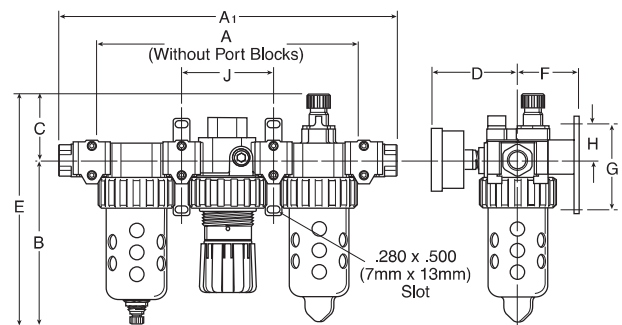
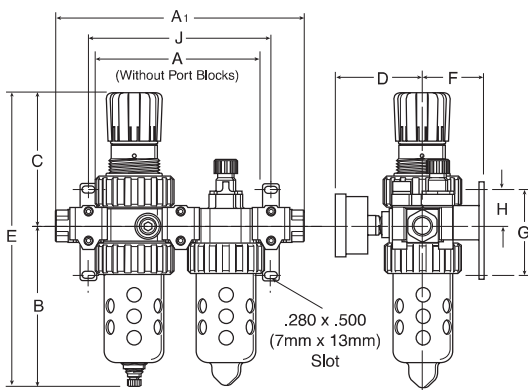
Engineering Level	
D	07B, 17B, 07H, 17H Current

Modular Options	
Blank	No Port Blocks
W	With Mounting Bracket

Lubricator Body Options	
B	With Fill Plug

Lubricator Bowl Options	
2	Poly Bowl, Metal Bowl Guard, No Drain
4	Metal Bowl, Sight Gauge, Twist Drain

Relief	
A	Relieving



**06H, 16H Series (Reference Only)**

A	A1	B	C	D	E	F	G	H	J
6.10 (155)	9.04 (230)	5.69 (145)	4.69 (119)	3.18 (81)	10.38 (264)	2.00 (51)	3.58 (91)	1.40 (36)	6.65 (169)

**06B, 16B Series (Reference Only)**

A	A1	B	C	D	E	F	G	H	J
9.46 (240)	12.39 (315)	5.69 (145)	2.24 (57)	3.18 (81)	7.93 (202)	2.00 (51)	3.58 (91)	1.40 (36)	3.33 (85)

**07H, 17H Series**

A	A1	B	C	D	E	F	G	H	J
7.00 (178)	10.28 (261)	6.97 (177)	4.79 (122)	3.44 (87)	11.76 (299)	2.09 (53)	3.58 (91)	1.40 (36)	7.51 (191)

**07B, 17B Series**

A	A1	B	C	D	E	F	G	H	J
10.75 (273)	14.03 (356)	6.97 (177)	2.41 (61)	3.44 (87)	9.38 (238)	2.18 (55)	3.58 (91)	1.40 (36)	3.76 (95)

Inches (mm)

• All dimensions nominal.

Inches (mm)

• All dimensions nominal.



For inventory, lead times, and kit lookup, visit [www.pdnplu.com](http://www.pdnplu.com)

## Modular Accessories

### Service Kits

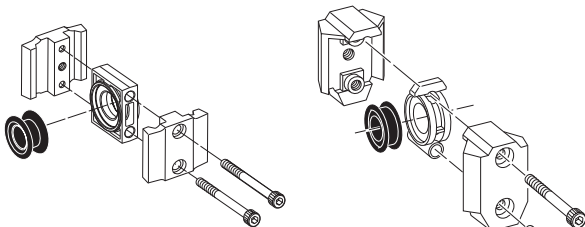
Body connector, (05 series)	<b>PS954P</b>
Body connector, (06 series)	<b>PS754P</b>
Body connector, (07 series)	<b>PS854P</b>
Wall mounting kits (05 series)	<b>PS955P</b>
Wall mounting kits (06 & 07 series)	<b>PS755P</b>
Lockout valves, (06 series)	<b>PS756P</b>
Lockout valves, (07 series)	<b>PS856P</b>
Modular manifold block 3/8" port, (06 series)	<b>PS757P</b>
Modular manifold block 1/2" port, (07 series)	<b>PS857P</b>

### Body Connectors

Body connectors allow you to easily assemble and disassemble modular combinations.

Body connectors are required whenever you assemble two or more pieces together.

Each kit includes one set.



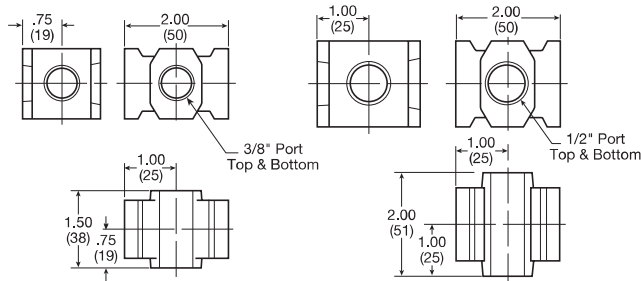
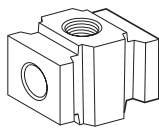
PS954P (05)

PS754P (06)  
PS854P (07)

### Modular Manifold Block

A modular manifold block can be used between any two modular units to give additional outlet ports. The manifold block provides 2 additional outlets in 3/8" and 1/2" sizes. Any standard pipe plug can be used to close off unused ports.

**NOTE: Body connectors are not supplied with manifold blocks.**



PS757P (06)

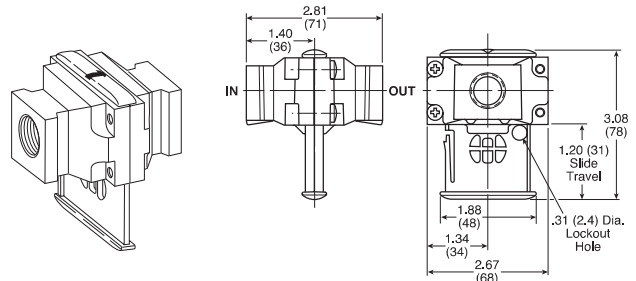
PS857P (07)

## Air Preparation Products Prep-Air® II Series

### Lockout Valves

Lockout Valves provide positive shut-off and exhaust capability to isolate Modular units so they can be easily removed from the line and can be locked in a closed position. Center position can be used as a slow start. Accepts #3 padlock.

**NOTE: Body connectors are not supplied with lockout valves.**

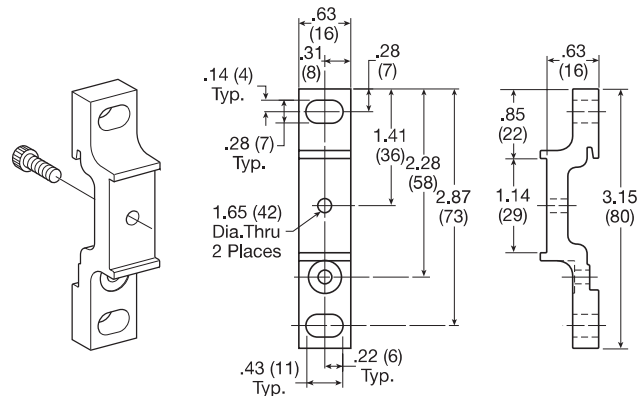


### Wall Mounting Kits

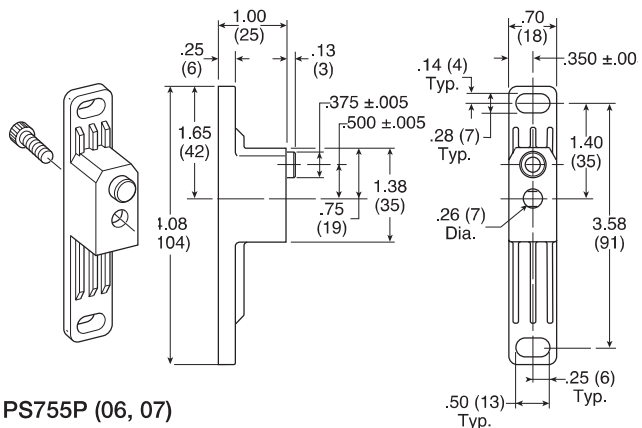
Wall mounting kits are available for mounting your modular assemblies and can be assembled and used with any standard body connector set.

Since modular combinations are always identical in size, you can predrill for wall mounting on your equipment.

Kit includes 1 assembly.

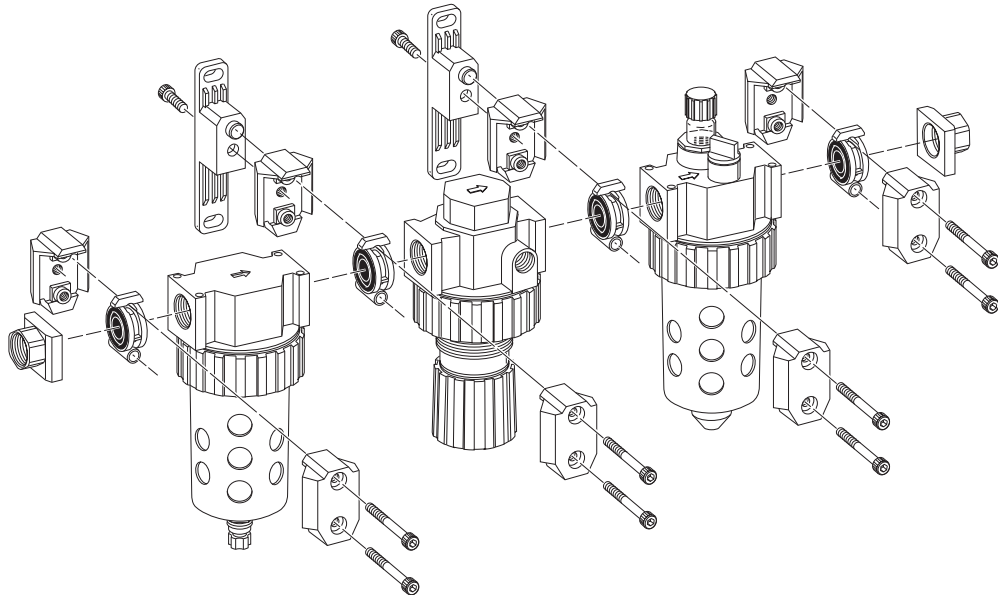


PS955P (05)



PS755P (06, 07)

**Modular Accessories – 06 Compact & 07 Standard Series**



**Port Block Connector Kits**

**06 Series**

1/4" Port block kits, NPT	<b>PS750P</b>
1/4" Port block kits, BSPP	<b>PS765P †</b>
3/8" Port block kits, NPT	<b>PS751P</b>
3/8" Port block kits, BSPP	<b>PS766P †</b>
1/2" Port block kits, NPT	<b>PS752P*</b>
1/2" Port block kits, BSPP	<b>PS767P* †</b>

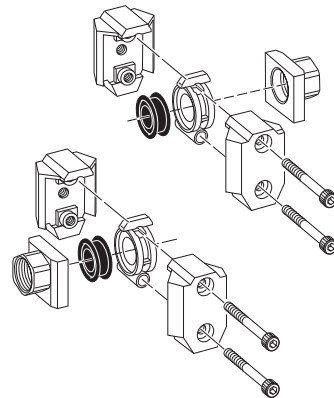
**07 Series**

1/4" Port block kits, NPT	<b>PS850P</b>
1/4" Port block kits, BSPP	<b>PS865P</b>
3/8" Port block kits, NPT	<b>PS851P</b>
3/8" Port block kits, BSPP	<b>PS866P</b>
1/2" Port block kits, NPT	<b>PS852P</b>
1/2" Port block kits, BSPP	<b>PS867P ‡</b>
3/4" Port block kits, NPT	<b>PS853P</b>
3/4" Port block kits, BSPP	<b>PS860P</b>

\* Use 1/4 or 3/8 ported bodies.

† 1/4, 3/8 & 1/2 inch meet ISO 1179-1 Standard.

‡ 1/2 inch meets ISO 1179-1 Standard.



Port block connectors allow you to make threaded port connections to modular units and are available in various port sizes to match your system requirements.

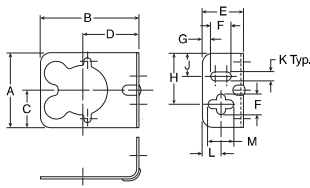
Each kit includes all the necessary pieces to make two port connections.

Prep-Air® II Products
Filters
Coalescers
Regulators
Filter / Regulators
Lubricators
Combinations
Accessories

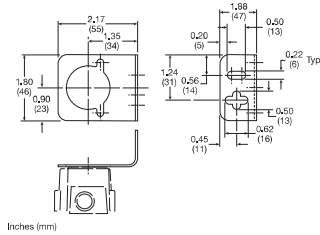


For inventory, lead times, and kit lookup, visit [www.pdnplu.com](http://www.pdnplu.com)

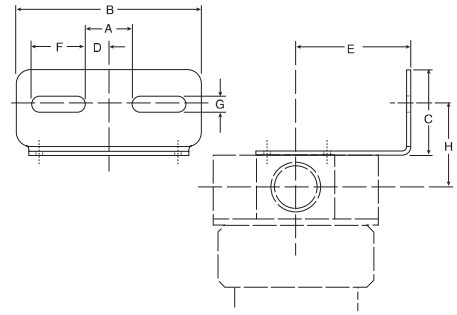
**Mounting Bracket Kits**



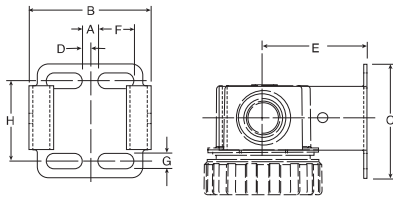
**PS417BP**  
 (Includes Panel Mount Nut)



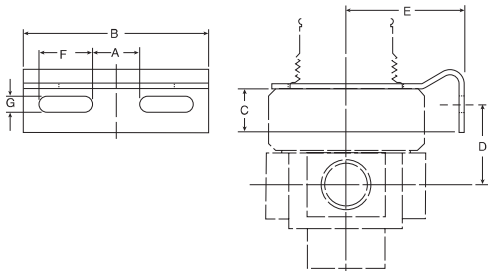
**PS419**  
 (Includes Panel Mount Nut)



**PS743P, PS843P**

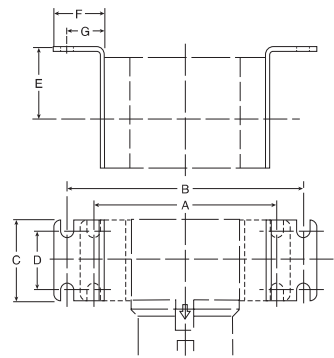


**PS943P**



**PS707P & PS807P**  
 (Includes Panel Mount Nut)

**PS963P**  
 (Includes Aluminum Panel Mount Nut)



**P3NKA00MW**

**Dimensions**

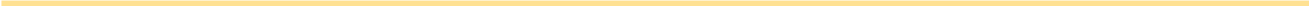
A	B	C	D	E	F	G	H	J	K	L	M	Kit
1.80 (46)	2.37 (60)	0.90 (23)	1.35 (34)	1.00 (25)	0.50 (13)	0.20 (5)	1.24 (31)	0.56 (14)	0.22 (6)	0.45 (11)	0.62 (16)	<b>PS417BP</b> (10F, 14F, P3A, 14R, 14E)
1.80 (46)	2.17 (55)	0.90 (23)	1.35 (34)	1.00 (25)	0.50 (13)	0.20 (5)	1.24 (31)	0.56 (14)	0.22 (6)	0.45 (11)	0.62 (16)	<b>PS419</b> (04L)
0.84 (21)	3.25 (83)	1.50 (38)	0.42 (11)	2.00 (51)	0.94 (24)	0.28 (7)	1.44 (37)	—	—	—	—	<b>PS743P</b> (06F, 11F, 06L, 16L)
1.00 (25)	3.94 (100)	1.57 (40)	0.50 (13)	2.19 (56)	1.25 (32)	0.28 (7)	1.68 (43)	—	—	—	—	<b>PS843P</b> (07F, 12F, 07L, 17L)
0.28 (7)	2.12 (54)	2.00 (51)	0.14 (4)	1.85 (47)	0.63 (16)	0.28 (7)	1.41 (36)	—	—	—	—	<b>PS943P</b> (05F, 15F, 15L)
0.84 (21)	2.59 (66)	0.49 (12)	1.02 (26)	1.85 (47)	0.61 (15)	0.28 (7)	—	—	—	—	—	<b>PS963P</b> (05R, 10R, 05E, 27E)
0.84 (21)	3.26 (83)	0.77 (20)	1.46 (37)	2.00 (51)	0.94 (24)	0.28 (7)	—	—	—	—	—	<b>PS707P</b> (06R, 06E, 11R)
1.00 (25)	3.94 (100)	0.65 (17)	1.68 (43)	2.19 (56)	1.25 (32)	0.28 (7)	—	—	—	—	—	<b>PS807P</b> (07R, 07E, 12R)
6.22 (158)	8.19 (208)	2.75 (70)	1.97 (50)	2.36 (60)	1.77 (45)	1.30 (33)	—	—	—	—	—	P3NKA00MW (P3NF, P3NR, P3NE, P3NL)

inches (mm)



For inventory, lead times, and kit lookup, visit [www.pdnplu.com](http://www.pdnplu.com)





Prep-Air® II Products

Filters
Coalescers
Regulators
Filter / Regulators
Lubricators
Combinations
Accessories



For inventory, lead times, and kit lookup, visit [www.pdnplu.com](http://www.pdnplu.com)

