

Snap-tite 71 Series

High Pressure, Push-to-Connect
Non Spill-Quick Couplings



Heavy Duty with Superior Flow and Versatility

Parker's Snap-tite 71 Series couplings are designed for working pressures up to 10,000 psi. Available in a variety of materials and with a wide range of body sizes.

Air inclusion and fluid loss are minimal with the flush face valves. Large flow chambers in the body and an exclusive valve design permit superior flow while maintaining low pressure drop.



Contact Information: 71 Series Features:

Parker Hannifin Corporation
Quick Coupling Division
8145 Lewis Road
Minneapolis, MN 55427

phone 763 544 7781
fax 763 544 3418
qcd_sales@parker.com

www.parker.com/quickcouplings

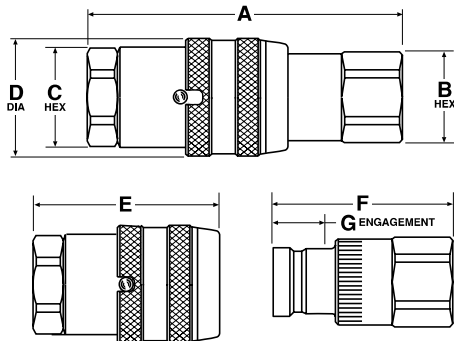
- Flush face/dry break
- Push-to-connect
- Heavy duty construction
- Designed for up to 10,000 psi (690 bar) working pressures
- Variety of materials
- Wide range of sizes
- Superior flow and low pressure drop
- Sleeve lock design to protect against accidental disconnection
- Available with Autoclave cone and threaded fittings



ENGINEERING YOUR SUCCESS.

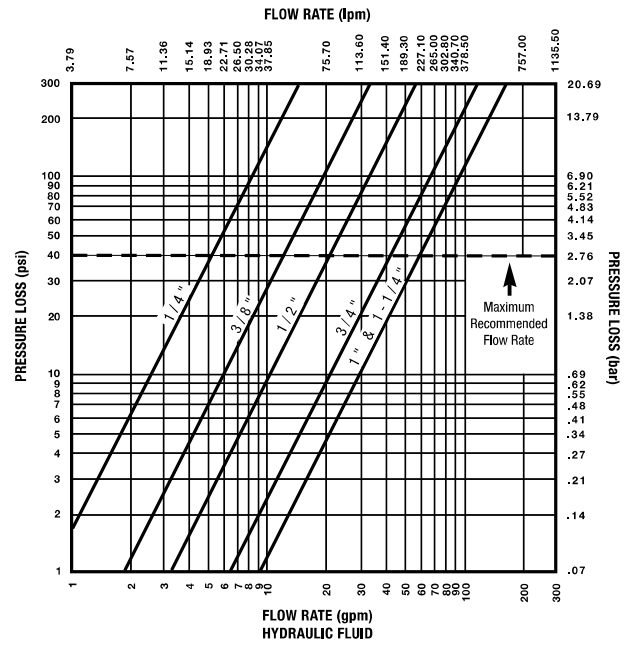
Technical and Dimensional Information

Size: 1/4" thru 1-1/4"††

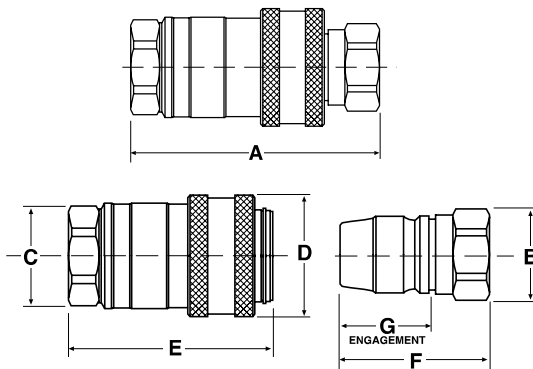


Size	A	B (Hex)*	C (Hex)*	D (Dia.)	E	F	G
1/4" (mm)	3.27 (83.06)	0.81 (20.57)	0.94 (23.88)	1.19 (30.23)	1.96 (49.78)	1.84 (46.74)	0.53 (13.46)
3/8" (mm)	4.00 (101.60)	1.00 (25.40)	1.19 (30.23)	1.56 (39.62)	2.36 (59.95)	2.32 (58.93)	0.68 (17.27)
1/2" (mm)	4.43 (112.52)	1.50 (38.10)	1.50 (38.10)	1.88 (47.75)	2.77 (70.36)	2.38 (60.45)	0.72 (18.29)
3/4" (mm)	5.13 (130.30)	1.75 (44.45)	1.75 (44.45)	2.25 (57.15)	3.05 (77.47)	2.96 (75.18)	0.88 (22.35)
1" (mm)	5.60 (142.24)	1.88 (47.75)	2.00 (50.80)	2.63 (66.80)	3.32 (84.33)	3.23 (82.04)	0.95 (24.13)
1-1/4" (mm)	6.22 (157.99)	2.00 (50.80)	2.00 (50.80)	2.63 (66.80)	3.67 (93.22)	3.50 (88.90)	0.95 (24.13)

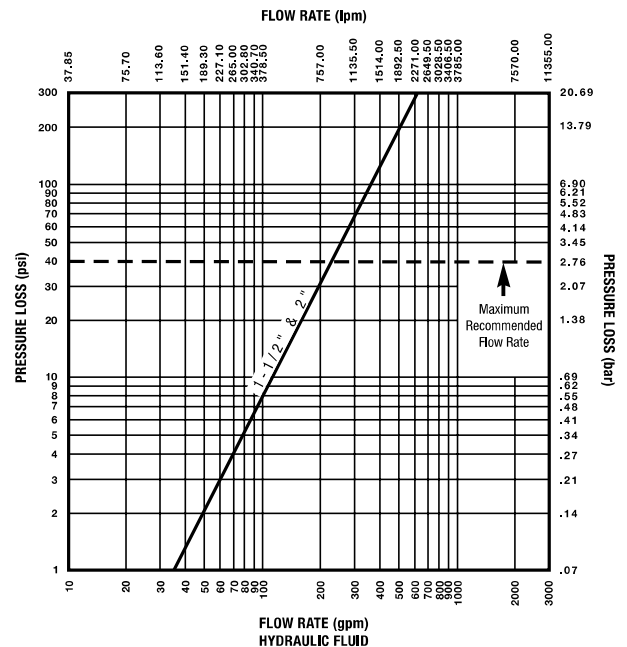
Flow Charts



Size: 1-1/2" and 2"††



Size	A	B (Hex)*	C (Hex)*	D (Dia.)	E	F	G
1-1/2" (mm)	7.60 (193.04)	3.25 (82.55)	3.38 (85.85)	4.50 (114.30)	6.21 (157.73)	4.50 (114.30)	3.21 (81.53)
2" (mm)	7.60 (193.04)	3.25 (82.55)	3.38 (85.85)	4.50 (114.30)	6.21 (157.73)	4.65 (118.20)	3.21 (81.53)



*Hex dimensions are taken from flat of hex and not across corners. Hex may be substituted with round stock. Hex column would then indicate dimension taken across wrench flats.

Decimal dimensions are ± .06 in. (1.5mm)

Dimensions are subject to change without notice.

Part configurations are typical and do not necessarily represent actual appearance.

††Note: 1/4" thru 1-1/4" are flush face couplings. 1-1/2" & 2" maintain a recessed face on coupler half.

Gallons per minute (gpm) in US gallons
Test Media MIL-H-6083 Hydraulic Fluid at 90°F ± 5°F (+32°C ± 1.5°C) sg .83

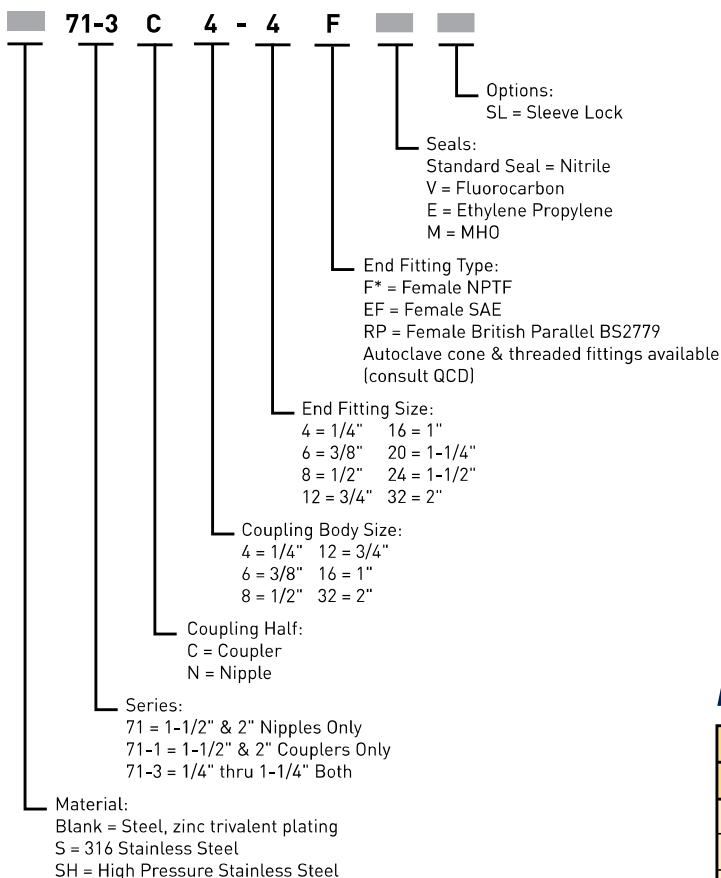
Pressure Ratings

Size	Spillage (cc)	Air Inclusion (cc)	Steel				316 Stainless Steel				High Pressure Stainless Steel			
			Max. Working		Min. Burst*		Max. Working		Min. Burst*		Max. Working		Min. Burst*	
			PSI	Bar	PSI	Bar	PSI	Bar	PSI	Bar	PSI	Bar	PSI	Bar
1/4"	.02	.01	10,000	689	20,000	1379	5,000	344	12,500	862	10,000	689	20,000	1379
3/8" x 1/4" ¹	.02	.02	10,000	689	20,000	1379	5,000	344	12,500	862	10,000	689	20,000	1379
3/8"	.02	.02	10,000	689	20,000	1379	5,000	344	12,500	862	10,000	689	20,000	1379
3/8" x 1/2" ²	.02	.02	10,000	689	20,000	1379	5,000	344	12,500	862	10,000	689	20,000	1379
1/2"	.03	.03	10,000	689	20,000	1379	5,000	344	12,500	862	10,000	689	20,000	1379
3/4"	.06	.04	7,500	517	15,000	1034	5,000	344	12,500	862	7,500	517	15,000	1034
1"	.10	.06	7,500	517	15,000	1034	4,000	275	10,000	689	7,500	517	15,000	1034
1" x 1-1/4" ³	.10	.06	7,500	517	15,000	1034	4,000	275	10,000	689	7,500	517	15,000	1034
2" x 1-1/2" ⁴	5.25	30.50	5,000	344	10,000	689	3,000	206	6,000	413	5,000	344	10,000	689
2"	5.25	30.50	5,000	344	10,000	689	3,000	206	6,000	413	5,000	344	10,000	689

¹Unit is 3/8" with 1/4" end fitting, ²Unit is 3/8" with 1/2" end fitting, ³1" unit with 1-1/4" end fitting, and ⁴2" unit with 1-1/2" end fitting.

*NOTE: Pressure Ratings were established under static pressure conditions. For high impulse applications, consult the Quick Coupling Division

Ordering Information



Notes:

- The current 71-3 couplers and nipples are interchangeable with previous design couplers and nipples in sizes 3/8", 1/2" and 3/4".
- Replacement part kits are available for all styles in sizes 1/4" through 2".
- Internal components of S and SH style 71 Series are not all 316 grade stainless steel. Consult QCD for details.

Maximum Recommended Connect/Disconnect Pressures

Size	Pressure	
	PSI	Bar
1/4"	300	21
3/8", 1/2", 3/4"	150	11
1", 1-1/4"	75	5
1-1/2", 2"	0	0

Plastic Dust Caps

Size	Coupler Dust Cap	Nipple Dust Cap
	71-3 Style	71-3 Style
1/4"	71-3PCC-4	71-3PNC-4
3/8"	71-3PCC-6	71-3PNC-6
1/2"	71-3PCC-8	71-3PNC-8
3/4"	71-3PCC-12	71-3PNC-12
1"	71-3PCC-16	71-3PNC-16

- * For sizes up to 1" NPTF threads in steel.
For sizes up to 1" NPSF threads in stainless steel.
For sizes over 1" NPT threads.

Note: Not all configurations are standard product offering. Contact QCD for price and delivery.

